

SIEMENS

SIMOTION

SIMOTION D410-2

Manual

Preface

Safety instructions

1

Description

2

Operator control (hardware)

3

Interfaces

4

Technical data

5

Dimension drawings

6

Spare parts / accessories

7

Standards and approvals

A

ESD guidelines

B

Valid for
SIMOTION D410-2 DP and D410-2 DP/PN
as of version 5.3

Legal information

Warning notice system

This manual contains notices you have to observe in order to ensure your personal safety, as well as to prevent damage to property. The notices referring to your personal safety are highlighted in the manual by a safety alert symbol, notices referring only to property damage have no safety alert symbol. These notices shown below are graded according to the degree of danger.

 DANGER

indicates that death or severe personal injury will result if proper precautions are not taken.
--

 WARNING
--

indicates that death or severe personal injury may result if proper precautions are not taken.

 CAUTION
--

indicates that minor personal injury can result if proper precautions are not taken.
--

NOTICE

indicates that property damage can result if proper precautions are not taken.
--

If more than one degree of danger is present, the warning notice representing the highest degree of danger will be used. A notice warning of injury to persons with a safety alert symbol may also include a warning relating to property damage.

Qualified Personnel

The product/system described in this documentation may be operated only by **personnel qualified** for the specific task in accordance with the relevant documentation, in particular its warning notices and safety instructions. Qualified personnel are those who, based on their training and experience, are capable of identifying risks and avoiding potential hazards when working with these products/systems.

Proper use of Siemens products

Note the following:

 WARNING
--

Siemens products may only be used for the applications described in the catalog and in the relevant technical documentation. If products and components from other manufacturers are used, these must be recommended or approved by Siemens. Proper transport, storage, installation, assembly, commissioning, operation and maintenance are required to ensure that the products operate safely and without any problems. The permissible ambient conditions must be complied with. The information in the relevant documentation must be observed.
--

Trademarks

All names identified by ® are registered trademarks of Siemens AG. The remaining trademarks in this publication may be trademarks whose use by third parties for their own purposes could violate the rights of the owner.

Disclaimer of Liability

We have reviewed the contents of this publication to ensure consistency with the hardware and software described. Since variance cannot be precluded entirely, we cannot guarantee full consistency. However, the information in this publication is reviewed regularly and any necessary corrections are included in subsequent editions.

Preface

Contents of the Product Manual

This document is part of the **SIMOTION D** documentation package.

Scope

The SIMOTION D410-2 Manual describes the SIMOTION D410-2 DP and SIMOTION D410-2 DP/PN control units.

Note

A separate SIMOTION D410 Manual is available for the SIMOTION D410 DP and SIMOTION D410 PN control units.

Standards

The SIMOTION system was developed in accordance with ISO 9001 quality guidelines.

Sections in this manual

The following sections describe the purpose and the use of the manual:

- **Description**
This section provides information pertaining to the SIMOTION system and its integration in the information landscape.
- **Operator control (hardware)**
This section describes the operator control and display elements of the SIMOTION D410-2.
- **Interfaces**
This section provides information about the interfaces, their pin assignments and application options.
- **Technical data**
This section describes the properties and features of the SIMOTION D410-2.
- **Dimension drawings**
- **Spare parts / accessories**
This section provides information about accessories and spare parts for the SIMOTION D410-2.
- **Appendix**
This section provides information about the various standards, approvals and EMC directives that the device complies with.
- **Index to locate information**

SIMOTION Documentation

An overview of the SIMOTION documentation can be found in the SIMOTION Documentation Overview document.

This documentation is included as electronic documentation in the scope of delivery of SIMOTION SCOUT. It comprises ten documentation packages.

The following documentation packages are available for SIMOTION product version V5.3:

- SIMOTION Engineering System Handling
- SIMOTION System and Function Descriptions
- SIMOTION Service and Diagnostics
- SIMOTION IT
- SIMOTION Programming
- SIMOTION Programming - References
- SIMOTION C
- SIMOTION P
- SIMOTION D
- SIMOTION Supplementary Documentation

Hotline and Internet addresses

SIMOTION at a glance

We have compiled an overview page from our range of information about SIMOTION with the most important information on frequently asked topics - which can be opened with only one click.

Whether beginner or experienced SIMOTION user – the most important downloads, manuals, tutorials, FAQs, application examples, etc. can be found at

<https://support.industry.siemens.com/cs/ww/en/view/109480700>

Additional information

Click the following link to find information on the following topics:

- Documentation overview
- Additional links to download documents
- Using documentation online (find and search manuals/information)

<https://support.industry.siemens.com/cs/ww/en/view/109479653>

My Documentation Manager

Click the following link for information on how to compile documentation individually on the basis of Siemens content and how to adapt it for the purpose of your own machine documentation:

<https://support.industry.siemens.com/My/ww/en/documentation>

Training

Click the following link for information on SITRAIN - Siemens training courses for automation products, systems and solutions:

<http://www.siemens.com/sitrain>

FAQs

Frequently Asked Questions can be found in SIMOTION Utilities & Applications, which are included in the scope of delivery of SIMOTION SCOUT, and in the Service&Support pages in **Product Support**:

<https://support.industry.siemens.com/cs/de/en/ps/14505/faq>

Technical support

Country-specific telephone numbers for technical support are provided on the Internet under **Contact**:

<https://support.industry.siemens.com/cs/ww/en/sc/2090>

Disposal and recycling

SIMOTION D410-2 is an environmentally friendly product! It includes the following features:

- In spite of its excellent resistance to fire, the flame-resistant agent in the plastic used for the housing does not contain halogens.
- Identification of plastic materials in accordance with ISO 11469.
- Less material used because the unit is smaller and with fewer components thanks to integration in ASICs.

The disposal of the products described in this manual should be performed in compliance with the valid national regulations.

The products can be largely recycled owing to their low pollutant content. For environmentally friendly recycling and disposal of your old device, please contact a company certified for the disposal of electronic waste and dispose of the device in accordance with the regulations in your country.

If you have any further questions about disposal and recycling, please contact your local Siemens representative. Contact details can be found in our contacts database on the Internet at:

<http://www.automation.siemens.com/partner>

Further information / FAQs

You can find further information on this manual at the following FAQ:

<https://support.industry.siemens.com/cs/ww/de/view/27585482>

The following information sources are also available:

- SIMOTION Utilities & Applications: SIMOTION Utilities & Applications will be included in the SIMOTION SCOUT scope of delivery and, along with FAQs, also contain free utilities (e.g. calculation tools, optimization tools, etc.) as well as application examples (ready-to-apply solutions such as winders, cross cutters or handling)
- The latest SIMOTION FAQs at <https://support.industry.siemens.com/cs/ww/de/ps/14505/faq>
- SIMOTION SCOUT online help
- For additional documentation, see the *Overview of SIMOTION documentation* (separate document).

Table of contents

	Preface	3
1	Safety instructions	11
1.1	Fundamental safety instructions	11
1.1.1	General safety instructions.....	11
1.1.2	Safety instructions for electromagnetic fields (EMF).....	14
1.1.3	Handling electrostatic sensitive devices (ESD).....	14
1.1.4	Security information	15
1.1.5	Note regarding the general data protection regulation.....	15
1.1.6	Danger to life due to software manipulation when using removable storage media	15
1.1.7	Residual risks of power drive systems	16
1.2	Specific safety information for SIMOTION D410-2	17
2	Description.....	19
2.1	System overview	19
2.2	System components.....	23
2.3	I/O integration.....	28
2.4	SIMOTION D410-2 DP representation.....	29
2.5	SIMOTION D410-2 DP/PN drawing	31
2.6	Type plates.....	32
2.7	CompactFlash card	33
2.8	Data matrix code	36
2.9	Licensing	37
3	Operator control (hardware)	39
3.1	Overview of operator control and display elements	39
3.2	Operator controls	40
3.2.1	Service selector switch.....	40
3.2.2	Mode selector switch.....	41
3.2.3	DIAG button	43
3.2.4	RESET button	44
3.2.5	Switch S5.0	44
3.2.6	SIMOTION CompactFlash card	45
3.3	Error and status displays.....	46
4	Interfaces.....	47
4.1	Overview of interfaces.....	47
4.2	DRIVE-CLiQ interface	48
4.3	PROFIBUS DP interfaces	50

4.4	PROFINET IO interface (SIMOTION D410-2 DP/PN only).....	52
4.5	Encoder interface (HTL/TTL/SSI).....	54
4.6	Digital I/Os / temperature sensor / analog input.....	57
4.6.1	Properties.....	57
4.6.2	Interface characteristics.....	58
4.6.3	Interface assignment.....	58
4.6.4	Use of the interfaces.....	65
4.6.5	SIMOTION D410-2 DP connection examples.....	67
4.6.6	SIMOTION D410-2 DP/PN connection examples.....	71
4.7	Power supply.....	74
4.8	Ethernet interface.....	76
4.9	Measuring sockets.....	77
4.10	Power Module Interface.....	78
5	Technical data.....	81
5.1	Shipping and storage conditions.....	81
5.2	Ambient conditions.....	81
5.3	System data, connection values, dimensions and weight.....	84
5.4	Interfaces and performance features.....	85
5.4.1	PLC and motion control performance.....	85
5.4.2	Communication.....	86
5.4.3	Onboard I/Os.....	87
5.4.4	Onboard encoder interface.....	91
5.5	Clock.....	93
5.6	Certificates, approvals, declarations of conformity.....	93
6	Dimension drawings.....	95
6.1	SIMOTION D410-2 DP dimension drawing.....	95
6.2	SIMOTION D410-2 DP/PN dimension drawing.....	96
6.3	Mounting plate dimension drawing.....	97
6.4	CAD data, dimension drawings, and circuit-diagram macros.....	98
7	Spare parts / accessories.....	99
7.1	Available spare parts and accessories.....	99
7.2	TM31 terminal module.....	100
7.3	TM41 terminal module.....	101
7.4	TM54F terminal module.....	102
7.5	TM15 and TM17 High Feature terminal modules.....	103
7.6	CUA31/CUA32 control unit adapter.....	104
7.7	DMC20/DME20 DRIVE-CLiQ hub.....	105

A	Standards and approvals	107
A.1	General rules.....	107
A.2	Device-specific information	109
B	ESD guidelines	111
B.1	ESD definition	111
B.2	Electrostatic charging of individuals	111
B.3	Basic measures for protection against discharge of static electricity	112
	Index	113

Safety instructions

1.1 Fundamental safety instructions

1.1.1 General safety instructions



DANGER

Danger to life due to live parts and other energy sources

Death or serious injury can result when live parts are touched.

- Only work on electrical devices when you are qualified for this job.
- Always observe the country-specific safety rules.

Generally, six steps apply when establishing safety:

1. Prepare for shutdown and notify all those who will be affected by the procedure.
2. Disconnect the machine from the supply.
 - Switch off the machine.
 - Wait until the discharge time specified on the warning labels has elapsed.
 - Check that it really is in a no-voltage condition, from phase conductor to phase conductor and phase conductor to protective conductor.
 - Check whether the existing auxiliary supply circuits are de-energized.
 - Ensure that the motors cannot move.
3. Identify all other dangerous energy sources, e.g. compressed air, hydraulic systems, or water.
4. Isolate or neutralize all hazardous energy sources by closing switches, grounding or short-circuiting or closing valves, for example.
5. Secure the energy sources against switching on again.
6. Ensure that the correct machine is completely interlocked.

After you have completed the work, restore the operational readiness in the inverse sequence.



WARNING

Danger to life from hazardous voltage when connecting an unsuitable power supply

Touching live components can result in death or severe injury.

- Only use power supplies that provide SELV (Safety Extra Low Voltage) or PELV (Protective Extra Low Voltage) output voltages for all connections and terminals of the electronics modules.



⚠ WARNING

Danger to life from touching live parts on damaged devices

Improper handling of devices can result in damage.

For damaged devices, hazardous voltages can be present at the enclosure or at exposed components; if touched, this can result in death or severe injury.

- Observe the limit values specified in the technical specifications during transport, storage, and operation.
- Do not use damaged devices.



⚠ WARNING

Danger to life through electric shock due to unconnected cable shields

Hazardous touch voltages can occur through capacitive cross-coupling due to unconnected cable shields.

- As a minimum, connect cable shields and the cores of power cables that are not used (e.g. brake cores) at one end at the grounded housing potential.



⚠ WARNING

Danger to life due to electric shock when not grounded

For missing or incorrectly implemented protective conductor connection for devices with protection class I, high voltages can be present at open, exposed parts, which when touched, can result in death or severe injury.

- Ground the device in compliance with the applicable regulations.

⚠ WARNING

Danger to life due to fire spreading if housing is inadequate

Fire and smoke development can cause severe personal injury or material damage.

- Install devices without a protective housing in a metal control cabinet (or protect the device by another equivalent measure) in such a way that contact with fire inside and outside the device is prevented.
- Ensure that smoke can only escape via controlled and monitored paths.

 **WARNING****Unexpected movement of machines caused by radio devices or cell phones**

When radio devices or cell phones with a transmission power > 1 W are used in the immediate vicinity of components, they may cause the equipment to malfunction. Malfunctions may impair the functional safety of machines and can therefore endanger people or lead to material damage.

- If you come closer than approx. 2 m to such components, switch off any radio devices or cell phones.
- Use the "SIEMENS Industry Online Support App" only on equipment that has been switched off.

 **WARNING****Danger to life due to fire if overheating occurs because of insufficient ventilation clearances**

Inadequate ventilation clearances can cause overheating of components followed by fire and smoke development. This can cause death or serious injury. This can also result in increased downtime and reduced service life for devices/systems.

- Ensure compliance with the specified minimum clearance as ventilation clearance for the respective component.

 **WARNING****Danger of an accident occurring due to missing or illegible warning labels**

Missing or illegible warning labels can result in accidents involving death or serious injury.

- Check that the warning labels are complete based on the documentation.
- Attach any missing warning labels to the components, in the national language if necessary.
- Replace illegible warning labels.

 **WARNING****Danger to life when safety functions are inactive**

Safety functions that are inactive or that have not been adjusted accordingly can cause operational faults on machines that could lead to serious injury or death.

- Observe the information in the appropriate product documentation before commissioning.
- Carry out a safety inspection for functions relevant to safety on the entire system, including all safety-related components.
- Ensure that the safety functions used in your drives and automation tasks are adjusted and activated through appropriate parameterizing.
- Perform a function test.
- Only put your plant into live operation once you have guaranteed that the functions relevant to safety are running correctly.

Note

Important safety notices for safety functions

If you want to use safety functions, you must observe the safety notices in the safety manuals.

1.1.2 Safety instructions for electromagnetic fields (EMF)



⚠ WARNING

Danger to life from electromagnetic fields

Electromagnetic fields (EMF) are generated by the operation of electrical power equipment such as transformers, converters or motors.

People with pacemakers or implants are at a special risk in the immediate vicinity of these devices/systems.

- Ensure that the persons involved are the necessary distance away (minimum 2 m).

1.1.3 Handling electrostatic sensitive devices (ESD)

Electrostatic sensitive devices (ESD) are individual components, integrated circuits, modules or devices that may be damaged by either electric fields or electrostatic discharge.



NOTICE

Damage through electric fields or electrostatic discharge

Electric fields or electrostatic discharge can cause malfunctions through damaged individual components, integrated circuits, modules or devices.

- Only pack, store, transport and send electronic components, modules or devices in their original packaging or in other suitable materials, e.g. conductive foam rubber or aluminum foil.
- Only touch components, modules and devices when you are grounded by one of the following methods:
 - Wearing an ESD wrist strap
 - Wearing ESD shoes or ESD grounding straps in ESD areas with conductive flooring
- Only place electronic components, modules or devices on conductive surfaces (table with ESD surface, conductive ESD foam, ESD packaging, ESD transport container).

1.1.4 Security information

Siemens provides products and solutions with industrial security functions that support the secure operation of plants, systems, machines and networks.

In order to protect plants, systems, machines and networks against cyber threats, it is necessary to implement – and continuously maintain – a holistic, state-of-the-art industrial security concept. Siemens' products and solutions constitute one element of such a concept.

Customers are responsible for preventing unauthorized access to their plants, systems, machines and networks. Such systems, machines and components should only be connected to an enterprise network or the internet if and to the extent such a connection is necessary and only when appropriate security measures (e.g. firewalls and/or network segmentation) are in place.

For additional information on industrial security measures that can be implemented, please visit (<https://www.siemens.com/industrialsecurity>).

Siemens' products and solutions undergo continuous development to make them more secure. Siemens strongly recommends that product updates are applied as soon as they are available and that the latest product versions are used. Use of product versions that are no longer supported, and failure to apply the latest updates may increase customers' exposure to cyber threats.


To stay informed about product updates, subscribe to the Siemens Industrial Security RSS Feed visit (<https://www.siemens.com/industrialsecurity>).

1.1.5 Note regarding the general data protection regulation

Siemens observes the principles of data protection, in particular the principle of data minimization (privacy by design). For this product this means:

The product does not process / store any personal data, only technical functional data (e.g. time stamp). If the user links this data with other data (e.g. shift plans) or stores personal data on the same medium (e.g. hard disk) and thus establishes a personal reference, the user must ensure compliance with data protection regulations.

1.1.6 Danger to life due to software manipulation when using removable storage media

 WARNING
<p>Danger to life due to software manipulation when using removable storage media</p> <p>The storage of files on removable storage media involves a high risk of infection, e.g. via viruses or malware. Incorrect parameter assignment can cause machines to malfunction, which can lead to injuries or death.</p> <ul style="list-style-type: none"> • Protect the files on removable storage media against harmful software through appropriate protective measures, e.g. virus scanners.

1.1.7 Residual risks of power drive systems

When performing the risk assessment for a machine or plant in accordance with the respective local regulations (e.g. EC Machinery Directive), the machine manufacturer or plant constructor must take into account the following residual risks associated with the control and drive components of a drive system:

1. Unintentional movements of driven machine or system components during commissioning, operation, maintenance and repairs caused by, for example:
 - Hardware and/or software errors in the sensors, control system, actuators, and cables and connections
 - Response times of the control system and of the drive
 - Operation and/or environmental conditions outside the specification
 - Condensation/conductive contamination
 - Parameterization, programming, cabling, and installation errors
 - Use of wireless devices / mobile phones in the immediate vicinity of electronic components
 - External influences/damage
 - X-rays, ionizing radiation and cosmic radiation
2. Unusually high temperatures, including open flames, as well as emissions of light, noise, particles, gases, etc., can occur inside and outside the components under fault conditions caused by, for example:
 - Component failure
 - Software errors
 - Operation and/or environmental conditions outside the specification
 - External influences/damage
3. Hazardous shock voltages caused by, for example:
 - Component failure
 - Influence during electrostatic charging
 - Induction of voltages in moving motors
 - Operation and/or environmental conditions outside the specification
 - Condensation/conductive contamination
 - External influences/damage
4. Electrical, magnetic and electromagnetic fields generated in operation that can pose a risk to people with a pacemaker, implants or metal replacement joints, etc., if they are too close
5. Release of environmental pollutants or emissions as a result of improper operation of the system and/or failure to dispose of components safely and correctly

For more information about the residual risks of the drive system components, see the relevant sections in the technical user documentation.

1.2 Specific safety information for SIMOTION D410-2

Observe the following safety information when working with SIMOTION D410-2 and its components!



WARNING

Danger to life from hazardous voltage when connecting an unsuitable power supply

Only safety extra low voltage in accordance with EN/IEC 609501 may be connected at all connectors and terminals.

WARNING

Danger to life from unexpected movement of machines on automatic restart

An automatic restart can be programmed for SIMOTION controllers. When the power returns, the axes start automatically.

Make sure this presents no hazard to personnel or property.

NOTICE

Damage to the CompactFlash card from electrical fields or electrostatic discharge

The CompactFlash card is an ESD-sensitive component.

De-energize the SIMOTION D410-2 device before inserting or removing the CompactFlash card. The SIMOTION D410-2 is in a de-energized state when all the LEDs are OFF.

Comply with the ESD rules.

NOTICE

Overheating if ventilation clearances are too small

Insufficient ventilation clearances result in overheating and therefore in more failures and a shortened life of systems / devices.

Make sure the ventilation clearances of 50 mm are provided above and below the components. The ventilation openings may not be covered by connecting cables.

Description

2.1 System overview

SIMOTION D

SIMOTION D is a drive-based version of SIMOTION based on the SINAMICS S120 drive family.

With SIMOTION D, the SIMOTION PLC and motion control functionalities as well as the SINAMICS S120 drive software run on shared control hardware.

SIMOTION D is available in two versions:

- SIMOTION D410-2 is a compact Control Unit predestined for single-axis applications.
- SIMOTION D4x5-2 is a Control Unit for multi-axis applications in the SINAMICS S120 booksize format.

The following performance variants of the SIMOTION D4x5-2 Control Units are offered:

Control Unit	Performance variant	Range of applications
SIMOTION D425-2	BASIC performance	For up to 16 axes
SIMOTION D435-2	STANDARD performance	For up to 32 axes
SIMOTION D445-2	HIGH performance	For up to 64 axes
SIMOTION D455-2	ULTRA-HIGH performance	For up to 128 axes or applications with very short control cycles

Note

The SIMOTION D410-2 is described in this manual.

Separate manuals are available for the SIMOTION D4x5-2 and the SIMOTION D4x5 and SIMOTION D410 predecessor modules.

SIMOTION D is an integral part of the Totally Integrated Automation (TIA) concept. TIA is characterized by integrated data management, configuration, and communication for all products and systems. Thus, an extensive toolbox of automation modules is also available for the SIMOTION D410-2.

Note

In order to cover all variants of SIMOTION D in blocksize format, the product will be referred to as "D410-2". Specific product designations will be used for information that applies only to one product version, e.g. D410-2 DP/PN.

SIMOTION D410-2



Figure 2-1 SIMOTION D410-2 DP (pictured on left), SIMOTION D410-2 DP/PN (pictured on right)

SIMOTION D410-2 is a compact Control Unit for single-axis applications.

The Control Unit is snapped directly on to the SINAMICS Power Module in blocksize format and has an integrated drive control for either one servo, one vector or one V/f axis.

SIMOTION D410-2 can be extended with additional SINAMICS S110/S120 control units (e.g. CU310-2) and so can also be used for smaller multi-axis applications (e.g. with 2 - 3 axes).

Example of a single-axis application

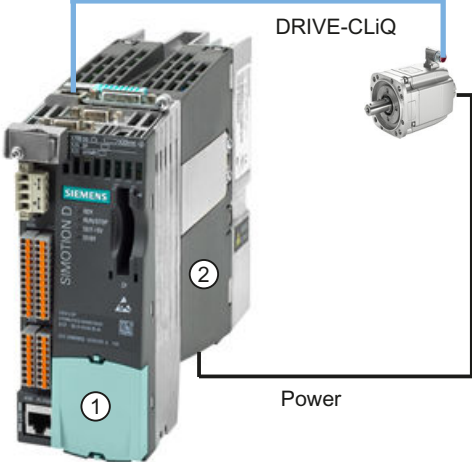


Figure 2-2 Application example with one axis

The example shows a single-axis application, consisting of a SIMOTION D410-2 (Control Unit) ① that is snapped directly on to the SINAMICS Power Module in blocksize format ②. The motors are supplied with power via the Power Module. The encoder is connected by means of DRIVE-CLiQ.

Example of a multi-axis application

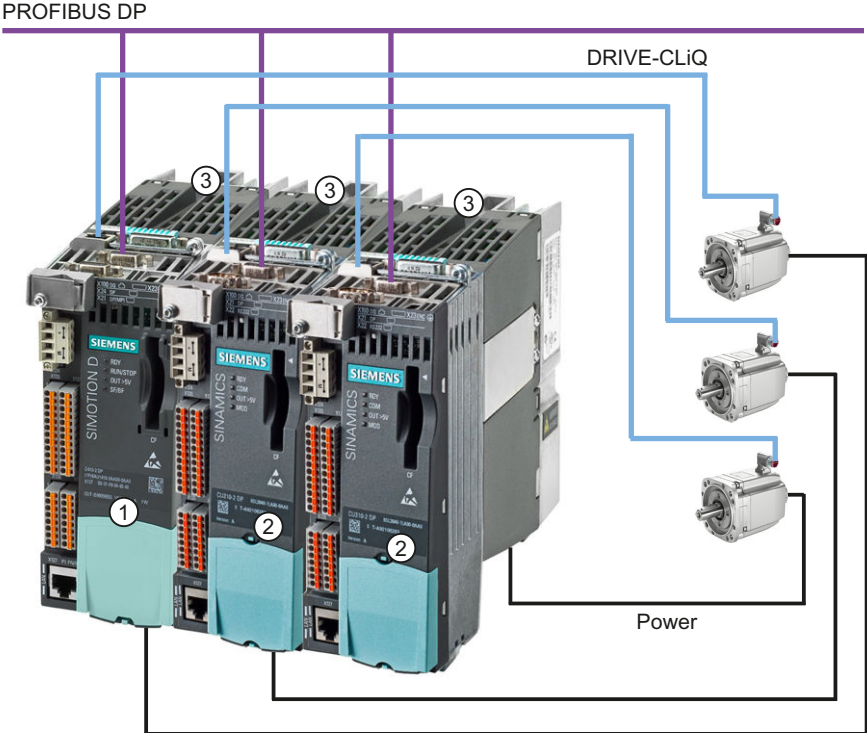


Figure 2-3 Application example with 3 axes

The example shows an application with 3 axes, consisting of:

- One SIMOTION D410-2 DP (Control Unit) ①, snapped on to the Power Module in blocksize format ③
The SIMOTION D410-2 DP is snapped directly on to the SINAMICS Power Module. The motors are supplied with power via the Power Module. The encoder is connected by means of DRIVE-CLiQ.
- Two SINAMICS S120 CU310-2 DP ②, snapped onto a Power Module in blocksize format ③
The Control Units are connected to the SIMOTION D410-2 DP via PROFIBUS DP. The two SINAMICS S120 CU310-2 DP are snapped directly on to the SINAMICS Power Module. The motors are supplied with power via the Power Modules. The encoders are connected by means of DRIVE-CLiQ.

Note

Path interpolation is supported as of V4.4.

Application

Combining a Power Module with SIMOTION D410-2 forms a compact single drive for machine and plant engineering.

Applications include:

- Machine concepts with central drive (e.g. presses, printing and packaging machines, etc.)
- Modular machine concepts where the machine modules were broken down into single axes
- Single drives with high accuracy, stability and concentricity requirements (compared with standard drives) in machine and industrial plant engineering
- Single drives for transport tasks (conveying, raising, lowering)
- Single drives with integrated PLC functionality and expanded motion control functionality such as output cams or cams
- Drives without power recovery (wire drawing, extruding)
- Drive connections with high availability requirements (incoming supply failure may not cause all axes to fail)
- Small multi-axis groupings (typically 2 to 3 axes) based on SINAMICS S110/120 blocksize.

Hardware components

As central hardware the SIMOTION D410-2 Control Unit is made up of the SIMOTION runtime system and the SINAMICS drive control.

A range of additional SINAMICS S120 components, such as SMx encoder systems or Terminal Modules can be connected via DRIVE-CLiQ.

With a few exceptions (e.g. no BOP20 Basic Operator Panel, etc.), the drive control integrated in SIMOTION D410-2 has the same control properties and performance features as the SINAMICS S120 CU310-2 Control Unit.

Extension of the drive computing performance

To fully utilize the motion control performance of a SIMOTION D410-2 when required, the drive-side computing performance can be extended by connecting additional SINAMICS S/G Control Units (e.g. CU305, CU310-2, CU320-2, CU250S-2, etc.) via PROFIBUS or PROFINET to the SIMOTION D410-2.

Software components

The basic functionality of SIMOTION D is supplied on a CompactFlash card containing the following:

- The SIMOTION runtime system with the following functions:
 - Freely programmable runtime system (IEC 61131)
 - Various runtime levels (tasks)
 - PLC and arithmetic functionality
 - Motion control functions
 - Communication functions
- The SINAMICS S120 drive control with the following functions:
 - Closed-loop current and torque control
 - Closed-loop speed control

2.2 System components

Overview

SIMOTION D410-2 communicates with the components of the automation landscape via the following interfaces:

- PROFIBUS DP (D410-2 DP and D410-2 DP/PN)
- PROFINET IO (D410-2 DP/PN only)
- Ethernet
- DRIVE-CLiQ (DRIVE Component Link with IQ)
- Power Module interface (PM-IF)

SIMOTION D features a SINAMICS Integrated drive element. Communication with the SINAMICS Integrated is via PROFIBUS mechanisms (DP Integrated), via PROFIdrive telegrams.

Shorter cycle times and greater numbers of addresses for each node are achieved with the "DP Integrated" compared to the "external PROFIBUS DP."

2.2 System components

The most important components of the system and their functions are shown below.

Table 2-1 System components

Component	Function
SIMOTION D410-2	<p>... is the central motion control module.</p> <p>The module contains the programmable SIMOTION runtime of SIMOTION D410-2 and the SINAMICS S120 drive runtime software.</p> <p>You can use the integrated high-speed I/Os (onboard I/Os) as:</p> <ul style="list-style-type: none"> • User-addressable process I/Os • Homing inputs • Fail-safe digital inputs • Fail-safe digital output • Inputs for measuring inputs • Outputs for fast output cams • Analog input <p>The measuring sockets can output any analog signals.</p> <p>The DRIVE-CLiQ interface permits a fast connection to the SINAMICS drive components.</p>
System software	<p>The basic functionality of SIMOTION D410-2 is supplied separately on a CompactFlash Card containing the following:</p> <ul style="list-style-type: none"> • SIMOTION runtime (kernel) • Drive software of SINAMICS S120 <p>The CompactFlash card is not included in the scope of delivery.</p>
Power supply (PS)	<p>... provides the electronic power supply for SIMOTION D410-2 (e.g. SITOP power supply).</p>

PROFIBUS DP

SIMOTION D410-2 can communicate with the following components via the PROFIBUS DP interface.

Table 2-2 Components on PROFIBUS DP

Component	Function
Programming device (PG/PC)	<p>... configures, assigns parameters, programs, and tests using the SIMOTION SCOUT Engineering System (ES).</p>
SIMATIC HMI device	<p>... is used for operating and monitoring functions. This is not an essential requirement for the operation of the SIMOTION D410-2.</p>
Other controllers (e.g. SIMOTION or SIMATIC)	<p>... e.g. higher-level controller (plant controller); modular machine concepts with multiple controllers, distributed across individual machine modules.</p>
Distributed I/O systems	
SIMATIC ET 200MP	<p>Modular I/O system for cabinet installation and high channel densities in the SIMATIC S7-1500 packaging system. SIMATIC ET 200MP permits the shortest bus cycle times and fastest response time even with large volumes of data.</p>
SIMATIC ET 200M	<p>Modular I/O system for cabinet installation and high channel densities in the SIMATIC S7-300 packaging system.</p>

Component	Function
SIMATIC ET 200SP	Finely scalable I/O system for cabinet installation; ET 200SP features a single-cable and multi-cable connection with push-in terminals, compact dimensions, high performance, and low part variety.
SIMATIC ET 200S	Finely scalable I/O system for cabinet installation and particularly time-critical applications; including motor starters, safety technology and individual grouping of load groups.
SIMATIC ET 200AL	Modular, distributed I/O system with compact I/O modules in IP65/67; simple installation in all mounting positions even in small spaces; front and transverse screw fastenings on flat surfaces or on aluminum supporting channels; flexible connection to PROFINET or PROFIBUS or simple integration in SIMATIC ET 200SP.
SIMATIC ET 200pro	Modular I/O system with IP65/IP67 degree of protection for machine-related applications with no cabinet; with features such as more compact designs, integrated PROFIsafe safety technology, PROFINET connection, and live module replacement.
SIMATIC ET 200eco	I/O system with IP65/IP67 degree of protection for machine-related applications with no cabinet, with a flexible and fast connection system in ECOFAST or M12.
Other PROFIBUS I/O	
Gateways	<ul style="list-style-type: none"> DP/AS-Interface Link 20E and DP/AS-Interface Link Advanced for the PROFIBUS DP gateway to AS-Interface DP/DP coupler for connecting two PROFIBUS DP networks
Drive interfaces	<ul style="list-style-type: none"> ADI4 (Analog Drive Interface for 4 axes) for the connection of drives with analog ± 10 V setpoint interface or for external encoders IM 174 (Interface Module for 4 axes) for the connection of drives with analog ± 10 V setpoint interface, external encoders or the connection of stepper drives with pulse/direction interface
Drive units with PROFIBUS DP interface (e.g. CU310-2 DP)	<p>... convert speed setpoints into signals for controlling the motor and supply the power required to operate the motors.</p> <p>Can also be operated as an isochronous slave on the PROFIBUS DP.</p>
Teleservice adapter	Remote diagnostics

PROFINET IO

The SIMOTION D410-2 DP/PN can communicate with the following components via the onboard PROFINET IO interface.

Table 2-3 Components on the PROFINET IO

Component	Function
Programming device (PG/PC)	... configures, assigns parameters, programs, and tests using the SIMOTION SCOUT Engineering System (ES).
SIMATIC HMI device	... is used for operating and monitoring functions. This is not an essential requirement for the operation of a Control Unit.
Other controllers (e.g. SIMOTION or SIMATIC)	... e.g. higher-level controller (plant controller); modular machine concepts with multiple controllers, distributed across individual machine modules.
Master computer	... communicates with other devices via UDP, TCP/IP.
Distributed I/O systems	
SIMATIC ET 200MP	Modular I/O system for cabinet installation and high channel densities in the SIMATIC S7-1500 packaging system. SIMATIC ET 200MP permits the shortest bus cycle times and fastest response time even with large volumes of data. With the time-based I/O, signals can be recorded or output to the precise μ s.

2.2 System components

Component	Function
SIMATIC ET 200M	Modular I/O system for cabinet installation and high channel densities in the SIMATIC S7-300 packaging system.
SIMATIC ET 200SP	Finely scalable I/O system for cabinet installation; ET 200SP features a single-cable and multi-cable connection with push-in terminals, compact dimensions, high performance, and low part variety. With the time-based I/O, signals can be recorded or output to the precise μ s.
SIMATIC ET 200S	Finely scalable I/O system for cabinet configuration and particularly time-critical applications; including motor starters, safety technology and individual grouping of load groups.
SIMATIC ET 200AL	Modular, distributed I/O system with compact I/O modules in IP65/67; simple installation in all mounting positions even in small spaces; front and transverse screw fastenings on flat surfaces or on aluminum supporting channels; flexible connection to PROFINET or PROFIBUS or simple integration in SIMATIC ET 200SP.
SIMATIC ET 200pro	Modular I/O system with IP65/67 degree of protection for machine-related applications with no cabinet; with features such as compact designs, integrated PRO-FIsafe safety technology, PROFINET IO connection and live module replacement.
SIMATIC ET 200eco PN	Compact block I/O with IP65/66/67 degree of protection for cabinet-free usage in machines with M12 connection method. Very rugged and resistant encapsulated metal enclosure.
Other PROFINET IO I/O devices	
Drive units with PROFINET IO interface	... convert speed setpoints into signals for controlling the motor and supply the power required to operate the motors.
Gateways	<ul style="list-style-type: none"> • IE/AS-Interface link PN IO for the PROFINET IO gateway to AS-Interface • PN/PN coupler for connecting two PROFINET IO networks

Ethernet

The Control Unit can communicate with the following components via the Ethernet interfaces or be embedded in an automation environment:

Table 2-4 Components on the Ethernet

Component	Function
Programming device (PG/PC)	... configures, assigns parameters, programs, and tests using the SIMOTION SCOUT Engineering System (ES).
Master computer	... communicates with other devices via UDP, TCP/IP.
SIMATIC HMI device	... is used for operating and monitoring functions. This is not an essential requirement for the operation of the SIMOTION D410-2.

DRIVE-CLiQ

SIMOTION D410-2 can communicate via the DRIVE-CLiQ interface with the following components:

Table 2-5 Components on DRIVE-CLiQ

Component	Function
SINAMICS S120 AC DRIVE drive units (with CUA31/CUA32)	... convert speed setpoints into signals for controlling the motor and supply the power required to operate the motors. The Power Module is connected via CUA31/CUA32. No more than one Power Module can be connected. The chassis Power Module is connected via DRIVE-CLiQ. Note: Components in booksize format are not supported!
TM15, TM17 High Feature Terminal Modules	The Terminal Modules TM15 and TM17 High Feature are used to implement measuring inputs and output cam outputs. In addition, these Terminal Modules provide drive-related digital I/Os with short signal delay times.
TM31 Terminal Module	... enables terminal expansion via DRIVE-CLiQ (additional analog and digital I/Os).
TM41 Terminal Module	... enables terminal expansion (analog and digital I/Os) and encoder simulation via DRIVE-CLiQ. The TM41 can be connected to a real axis.
TM54F Terminal Module	... enables terminal expansion (fail-safe digital inputs/outputs) for controlling the safe motion monitoring functions of the integrated drive. A TM54F is not usually necessary because the SIMOTION D410-2 has 3 F-DI and 1 F-DO.
TM120 Terminal Module	Four temperature sensors (KTY84-130 or PTC) can be evaluated via the TM120 Terminal Module. The temperature sensor inputs are safely electrically separated from the evaluation electronics in the TM120 Temperature Module and are suitable for evaluating the temperature of special motors, e.g. 1FN linear motors and 1FW6 built-in torque motors.
TM150 Terminal Module	The TM150 Terminal Module can be used to evaluate temperature sensors (KTY, PT100, PT1000, PTC, and bimetal normally closed contact). This means, for example, that other temperatures from the process can be measured in addition to the motor temperature. Temperature sensors can be evaluated using a 2, 3 or 4-wire system. Twelve temperature sensors can be evaluated with 2-wire evaluation and six temperature sensors with 3 and 4-wire evaluation.
SMx Sensor Modules	... enable acquisition of encoder data from connected motors via DRIVE-CLiQ.
Motors with DRIVE-CLiQ interface	... allow simplified commissioning and diagnostics, as the motor and encoder type are identified automatically.
DMC20/DME20 DRIVE-CLiQ hub	... enables the number of DRIVE-CLiQ interfaces to be increased and the creation of a point-to-point topology.

Note

Please note that SIMOTION D410-2 components in booksize format (Controller Extension, Motor Modules, Line Modules, etc.) are not supported.

SIMOTION D410-2 can only be used with the following Power Modules:

- PM340
- PM240-2 as of SIMOTION V4.4/SINAMICS V4.7

Other Power Modules are not supported by SINAMICS G120 (e.g. PM230).

Note

You will find detailed information on components in the SINAMICS S110/S120 family of products in the SINAMICS S110/S120 manuals.

It is possible that older DRIVE-CLiQ components can no longer be used with SIMOTION D410-2. You will find detailed information on this in the SIMOTION D410-2 Commissioning and Hardware Installation Manual in Section "Migration of SIMOTION D410 to SIMOTION D410-2" under "Permissible combinations".

2.3 I/O integration

Note

Note that not all modules in the ET 200 I/O family are approved for SIMOTION. Moreover, system-related functional differences can come into play when these I/Os or I/O systems are used on SIMOTION vs. on SIMATIC. For example, special process-control functions (e.g. HART modules, etc.) are not supported by SIMOTION for the ET 200M distributed I/O system.

A detailed, regularly updated list of the I/O modules approved for use with SIMOTION, as well as notes on their use, can be found at Internet address (<https://support.industry.siemens.com/cs/ww/en/view/11886029>)

In addition to the I/O modules enabled for SIMOTION, in principle all certified standard PROFIBUS slaves (DP-V0/DP-V1/DP-V2) and PROFINET IO devices with RT and IRT real-time classes may be connected to SIMOTION D410-2. These modules are integrated using the GSD file (PROFIBUS) or GSDML file (PROFINET) provided by the relevant device manufacturer.

Note

Please note that in isolated cases, additional boundary conditions must be fulfilled in order to integrate a module into SIMOTION. Thus, a few modules require "driver blocks" , e.g. in the form of function blocks, that permit (or simplify) integration.

For modules enabled for SIMOTION (e.g. SIMATIC S7-300 module FM 350-1, etc.), these driver blocks are part of the SIMOTION SCOUT engineering system command library.

2.4 SIMOTION D410-2 DP representation

View

The following figure shows a SIMOTION D410-2 DP with the interfaces and front elements.

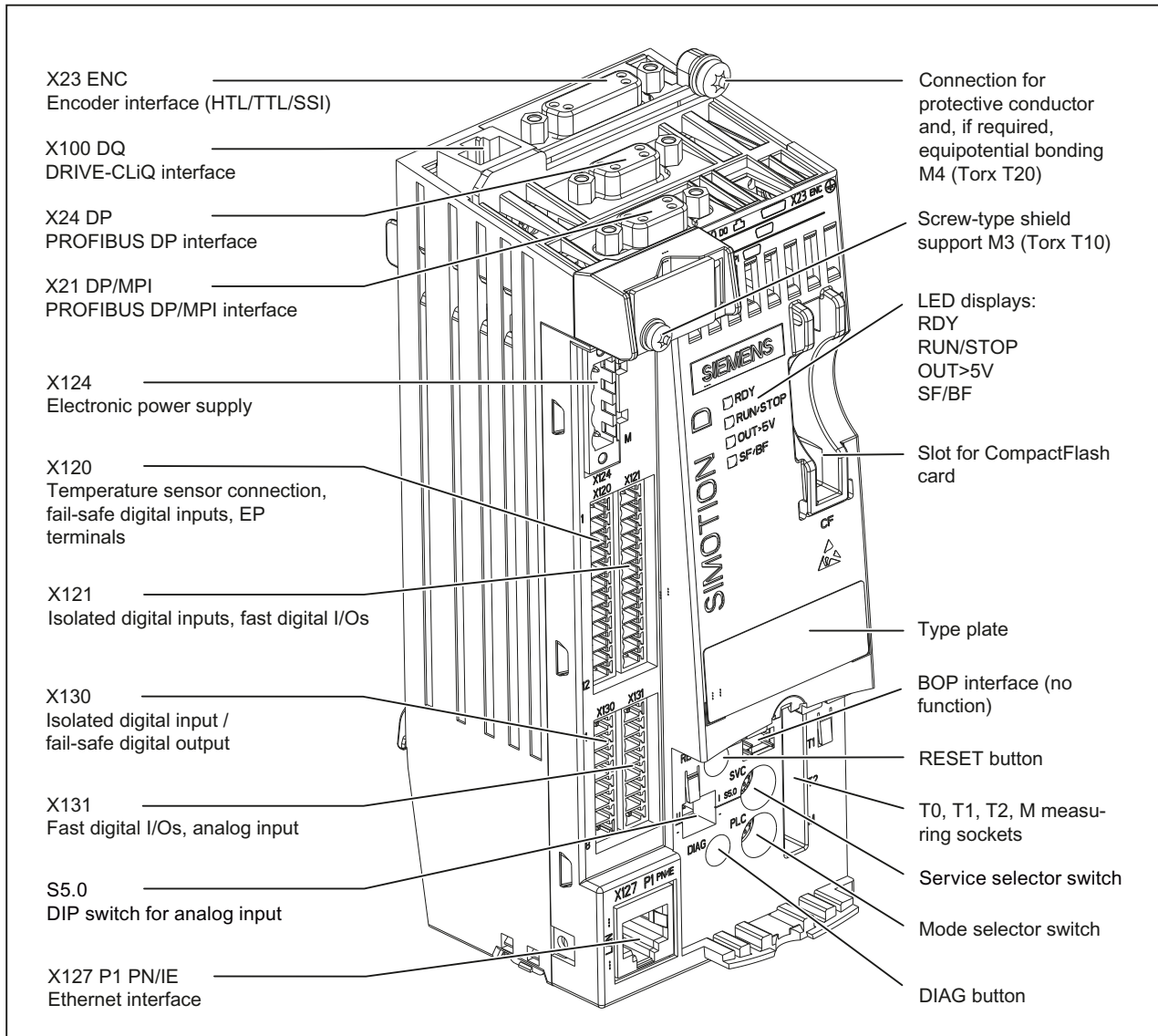


Figure 2-4 Location of interfaces and front elements for SIMOTION D410-2 DP

The interface to the power module (PM) is located at the rear of the SIMOTION D410-2.

Description

2.4 SIMOTION D410-2 DP representation

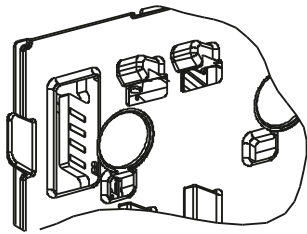


Figure 2-5 Power Module Interface (PM-IF)

See also

Interfaces (Page 47)

2.5 SIMOTION D410-2 DP/PN drawing

View

The following figure shows a SIMOTION D410-2 DP/PN with the interfaces and front elements.

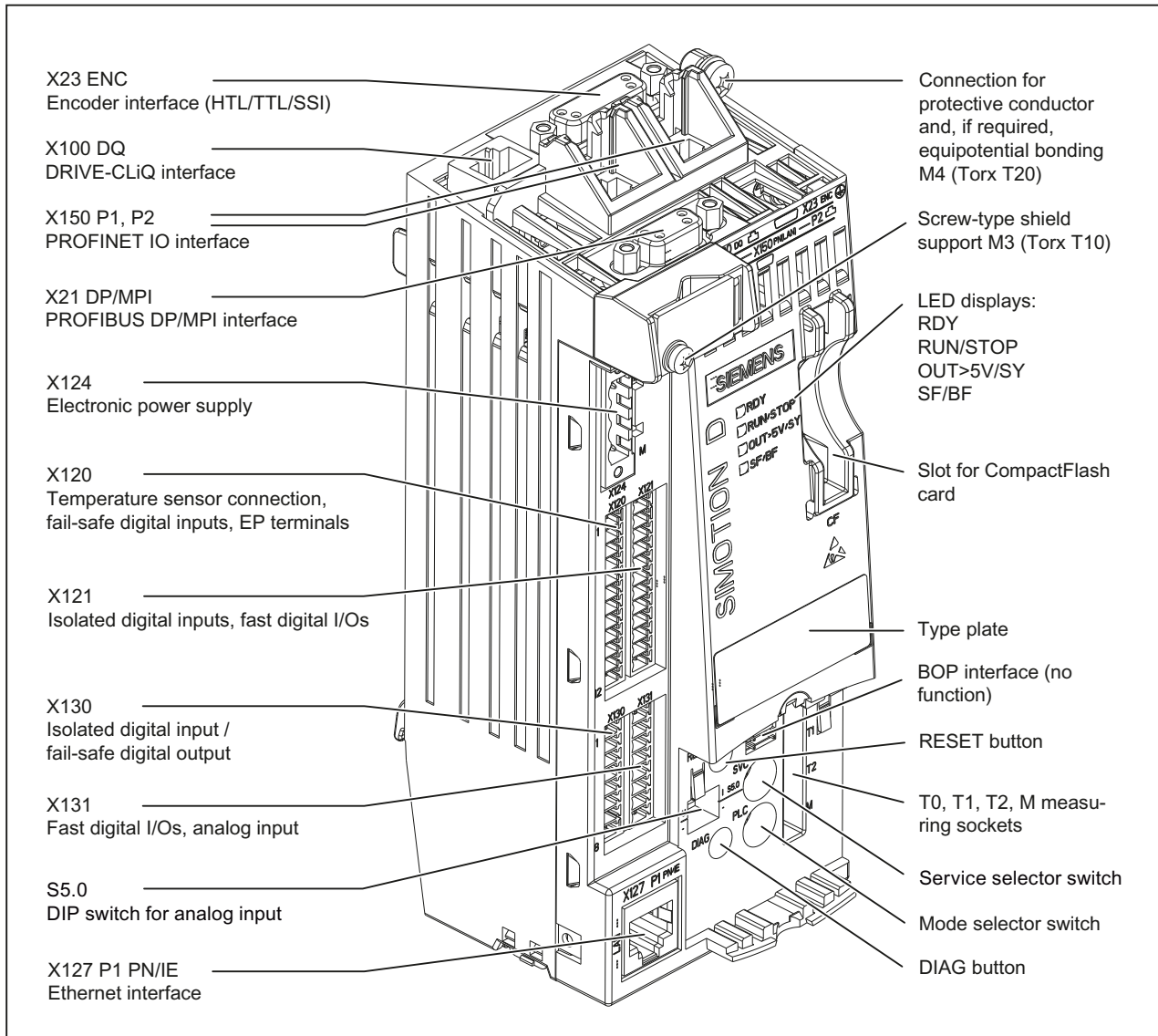


Figure 2-6 Location of interfaces and front elements for SIMOTION D410-2 DP/PN

The interface to the power module (PM) is located at the rear of the SIMOTION D410-2.

2.6 Type plates

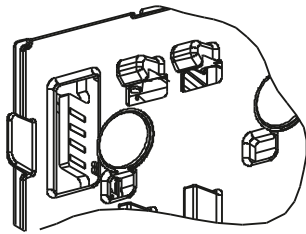


Figure 2-7 Power module interface (PM-IF)

See also

Interfaces (Page 47)

2.6 Type plates

The following figure shows all the information that the rating plate on the module rear contains.

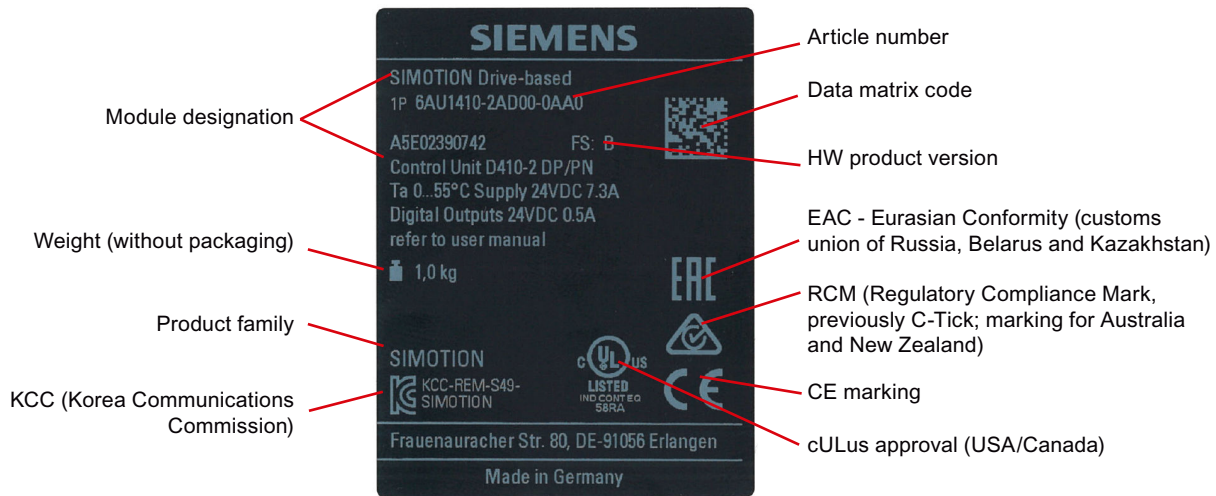


Figure 2-8 Rating plate using the SIMOTION D410-2 DP/PN as an example

Note

The information contained in each field of the rating plate on your actual Control Unit may differ from that presented in this manual (for example, a later product version, approvals and marks that have not yet been earned, etc. may be shown).

Depending on the rating plate, the HW version may be designated as "Version" or "FS" (Function State). Older components are marked with C-Tick instead of RCM.

MAC addresses

A second rating plate for the MAC address of the Ethernet interface and the PROFINET interface (D410-2 DP/PN only) is attached to the front of the device.



Figure 2-9 SIMOTION D410-2 DP/PN MAC addresses

Depending on the rating plate, the HW version may be designated as "Version" or "FS" (Function State).

Industry Online Support app

With our app, you have access to more than 300,000 documents.

Scan the data matrix code and display all the technical information on this product incl. graphic data (CAx data).

Link to the app: <https://support.industry.siemens.com/sc/en/en/sc/2067>

2.7 CompactFlash card

Properties

The CF card is mandatory for operation of the SIMOTION D410-2. The CF card must be ordered as a separate component; it is not included in the SIMOTION D410-2 scope of delivery.

The SIMOTION Kernel (SIMOTION D410-2 firmware) and the software used to control the drives (SINAMICS firmware) are contained on the CF card.

The CF card is used for:

- Backing up the technology packages and user data (programs, configuration data, parameter assignments)
- Update (e.g. SIMOTION firmware update)

2.7 CompactFlash card

The licenses for the technology functions are linked to the serial number of the CF card. This means the CF card can be inserted in different SIMOTION D410-2s without having to change the licenses.

The CF card is supplied in a bootable format with the latest SIMOTION Kernel and drive software.

CF card

Different CF cards are available for SIMOTION D410-2.

At the time for going to press, these were:

- 1 GB CF, article number 6AU1400-1PA23-0AA0
- 1 GB CF, article number 6AU1400-1PA22-0AA0

You will find detailed information on the compatibility relationships for the CF card, boot loader version, SIMOTION D hardware and SIMOTION firmware version in the software compatibility list.

This list can be found on the Internet at (<https://support.industry.siemens.com/cs/ww/en/view/18857317>).

CF card rating plate

The following figure shows you all the information included on the rating plate of the CompactFlash card (CF card).



Figure 2-10 CF card (example of a 1 GB CF card)

Pre-installed runtime licenses

The pre-installed licenses are provided as Z option on the label below the article number.

Example with Z option for D410-2 MultiAxes package + two TControl licenses:

6AU1400-1PA22-0AA0-Z
Z=M41+T02

A maximum of seven different Z options are printed on the rating plate of the CF card. When there are more than seven different Z options, the text "Z = see delivery order" is printed on the CF card in place of the Z option.

Available Z options / licenses

The following Z options are available for SIMOTION D410-2:

Table 2-6 Z options / licenses available for the SIMOTION D410-2

Designation	Z option / license	Example
TControl temperature control	Txx - TControl license and number	T03 = three TControl licenses
SIMOTION IT	J00 - SIMOTION IT Virtual Machine license for Java applications	J00
Safety functions	Fxx - SINAMICS Safety Integrated Extended Functions license, specification of the number Lxx - SINAMICS Safety Integrated Advanced Functions license, specification of the number The Safety Integrated Advanced Functions also include the Safety Integrated Extended Functions.	F01 = one license for one drive with Safety Integrated Extended Functions L01 = one license for one drive with Safety Integrated Advanced Functions
High output frequency	H00 - SINAMICS high output frequency for SIMOTION D license	H00
Axis licenses	<ul style="list-style-type: none"> • Pxx - POS license and number • Gxx - GEAR license and number • Cxx - CAM license and number 	<ul style="list-style-type: none"> • P02 = two POS licenses • G03 = three GEAR licenses • C01 = one CAM license
MultiAxes package	M41 - MultiAxes package license for SIMOTION D410-2	
MIIF	B02 - Multipurpose Information Interface	B02
VIBX	B03 - Vibration Extinction (vibration damping of axes)	B03
OACAMGEN	B04 - Cam generation Motion profiles for servo presses	B04

Note

Path interpolation is supported as of V4.4.

SINAMICS licenses

Selected SINAMICS licenses can be used with a SIMOTION D CF card. Only one relicensing is possible. A prelicensing of SIMOTION D CF cards via Z options is not possible with SINAMICS licenses.

Examples:

- SINAMICS S120 Advanced Position Control (APC)
Article no. 6SL3074-0AA05-0AA0
License for each drive (on CU, SINAMICS Integrated)
- SINAMICS S120 cogging torque compensation
Article no. 6SL3074-0AA15-0AA0
License for each drive (on CU, SINAMICS Integrated)

2.8 Data matrix code

- SINAMICS Technology Extension "Vibration Extinction" (VIBX)
Article no. 6SL3077-0AA00-5AB0
License for a target device (CU, SINAMICS Integrated)
- SINAMICS DCB Extension
Article no. 6SL3077-0AA00-0AB0
License for a target device (CU, SINAMICS Integrated)

With SINAMICS licenses, underlicensing of SINAMICS Integrated is indicated by the flashing SF LED on the SIMOTION D Control Unit. An entry is also made in the diagnostic buffer and the underlicensing is displayed in the License dialog box of SIMOTION SCOUT. The licensing is performed (as for SIMOTION licenses) via SIMOTION SCOUT or via the SIMOTION license key on the CF card.

2.8 Data matrix code

SIMOTION D components (e.g. CF cards, Control Units, etc.) have a machine-readable identification in the form of a data matrix code (2D code).

Reader units that support the data matrix code according to ECC 200 are suitable for reading the code used here.

Example of a data string from the reader:

1P6AU1400-1PA22-0AA0-Z+ST-WOQB02934+30SST0B8365550000079001

The volume of the information contained in the data matrix code depends on the product and, for example, on the available space.

Table 2-7 Machine-readable identification via 2D code

Characteristic	Property (example)
Article number ("1P" identifier to identify the products)	6AU1400-1PA22-0AA0-Z
Serial number ("S" identifier, item number)	T-WOQB02934
Hardware serial number (CF cards only) ("30S" identifier)	ST0B8365550000079001
Hardware version (identifier 2PE)	Not used in the example
Material number (identifier P)	Not used in the example

In addition to the "serial number", CF cards also have a "hardware serial number".

If licenses are purchased for licensed functions, a "license key" is generated from the hardware serial number of the CF card and the serial number of the purchased licenses; such licenses are valid only for the associated CF card.

The data required for the licensing can be read by a reader unit via the bar codes on the license certificates (Certificate of License "CoL") and the 2D code on the CF card in order, for example, to automate the licensing process.

Industry Online Support app

With our app, you have access to more than 300,000 documents.

Scan the data matrix code and display all the technical information on this product incl. graphic data (CAx data).

Link to the app: <https://support.industry.siemens.com/sc/en/en/sc/2067>

2.9 Licensing

SIMOTION D410-2 licensing

SIMOTION D410-2 is a compact Control Unit predestined for single-axis applications. SIMOTION D410-2 has an integrated drive control for either a servo, a vector or a V/f axis. One real axis can be used without requiring a license for a SIMOTION D410-2. Speed-controlled axes and virtual axes never require a license.

SIMOTION D410-2 can be extended with additional SINAMICS S110/S120 Control Units (e.g. CU305) and so can also be used for smaller multi-axis applications (e.g. with 2 - 3 axes). These additional axes must be licensed with the single-axis licenses or the "D410-2 MultiAxes Package". See Section CompactFlash card (Page 33).

The POS single-axis license is available if a POS axis has to be licensed; with GEAR/CAM or more than one POS license, it is better to use the D410-2 MultiAxes Package.

Note

If you use more than one real axis with SIMOTION D410-2, you must license these additional axes. The axis license with the highest functionality is covered by the inclusive license (a real axis). The functionality has the following granularity: CAM > GEAR > POS.

Example:

You use two real axes: 1 POS, 1 CAM.

Because the CAM license has a higher value, and so inclusive, you only need to purchase one POS license.

Licenses are required for runtime functions such as SIMOTION IT Virtual Machine. These licenses can be pre-installed on a CompactFlash card (CF card) or ordered separately.

Additional references

For more information about license management, see the *SIMOTION SCOUT* Configuration Manual. General information on the subject of licensing can be found in the *SIMOTION PM 21* Catalog.

Operator control (hardware)

3.1 Overview of operator control and display elements

The following figure shows the arrangement of the operator control and display elements on the SIMOTION D410-2.

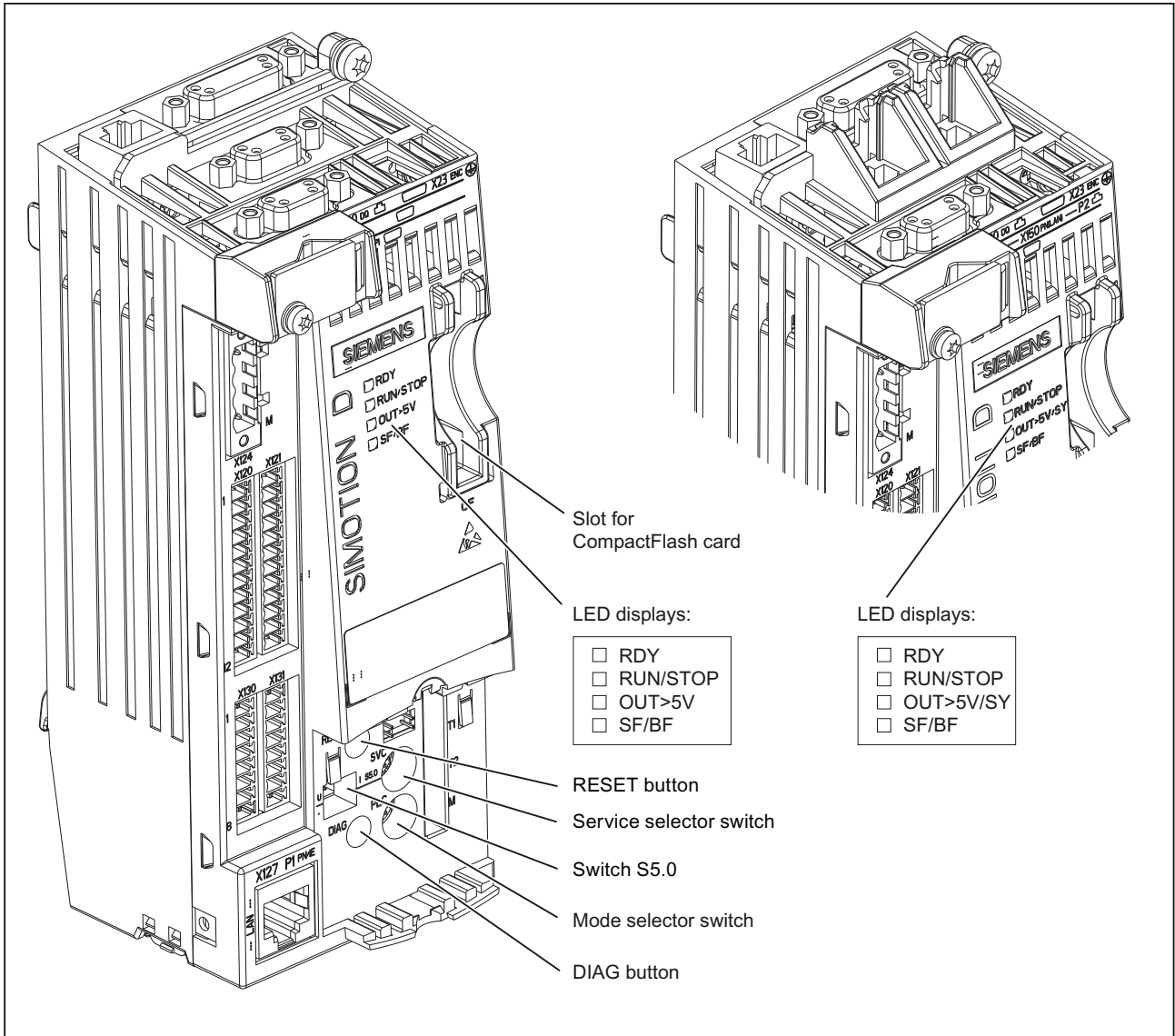


Figure 3-1 Operator control and display elements: SIMOTION D410-2 DP (on the left), SIMOTION D410-2 DP/PN (on the right)

3.2 Operator controls

3.2.1 Service selector switch

Layout

SIMOTION D410-2 provides a service selector switch (SVC) behind the blanking cover in the lower area of the front panel.

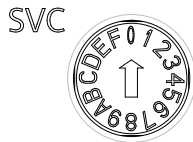


Figure 3-2 Service selector switch, switch position "0"

NOTICE

Damage from electrostatic discharge

The rotary switch can be destroyed by static electricity.

Operate the rotary switch only with an insulated screwdriver.

Comply with the ESD rules.

Function

The service selector switch is used to select service functions.

In "normal" operation, this switch must remain in the "0" position.

The following table shows the possible positions of the service selector switch. The service selector switch positions are explained in the order in which they are arranged on the SIMOTION D410-2. The service functions can generally be used in any set operating mode.

Table 3-1 Switch positions of the service selector switch

Position	Service mode	Meaning
0		No service/diagnostic function activated
1 or A → 1	Delete/restore non-volatile SIMOTION data	The non-volatile SIMOTION data of the SIMOTION D410-2 is first deleted and then restored with the contents of the PMEMORY backup file.
		Position "1" The data backed up with the system function <code>_savePersistentMemoryData</code> is preferably restored
		Position "A" → "1" (as of V4.4) The data backed up by service selector switch position "D" / Web server / DIAG pushbutton are preferably restored
8	Web server in security level low	Switches the SIMOTION IT Web server to Security Level Low for 120 minutes. You will find detailed information in the <i>SIMOTION IT Diagnostics and Configuration Diagnostics Manual</i> .

Position	Service mode	Meaning
B	Downgrade (Device Update Tool)	SIMOTION D410-2 Control Units and projects can be upgraded using upgrade data created previously. These upgrade data is generated with the Device Update Tool ("Project > Start Device Update Tool" menu in SIMOTION SCOUT). If the upgrade process fails to bring about the desired result, the upgrade can be rejected by means of the switch position. This will roll the system back to the previous configuration.
D	Backup of diagnostic data and non-volatile SIMOTION data	The diagnostic data and non-volatile SIMOTION data can be backed up in STOP, STOPU, and RUN state. The advantage of backing up in RUN state is the availability of enhanced diagnostic information (via HTML pages) and TO alarm information.

Note

Alternatively, diagnostic data and non-volatile SIMOTION data can also be backed up via the DIAG button. See Section DIAG button (Page 43).

3.2.2 Mode selector switch

Layout

SIMOTION D410-2 provides a mode switch (PLC) behind the blanking cover in the lower area of the front panel.

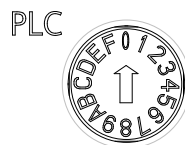


Figure 3-3 Mode switch, switch position "0"

NOTICE**Damage from electrostatic discharge**

The rotary switch can be destroyed by static electricity.

Operate the rotary switch only with an insulated screwdriver.

Comply with the ESD rules.

Function

The following table contains the possible mode switch positions and the associated operating mode.

Table 3-2 Mode switch positions

Position	Operating mode	Meaning
0	RUN	<p>SIMOTION D410-2 executes the user program and the associated system services:</p> <ul style="list-style-type: none"> • Read process image of inputs. • Execution of the user programs assigned to the execution system. • Write process image of outputs. <p>The technology packages are active in this state. They can execute commands from the user program.</p>
1	STOPU	<p>SIMOTION D410-2 does not execute any user program.</p> <ul style="list-style-type: none"> • The technology packages are active. Test and commissioning functions can be executed. The user program is not active. • The I/O modules are in a secure state, i.e. the digital outputs have the status "LOW" and the analog outputs are at zero current/voltage.
2	STOP	<p>SIMOTION D410-2 does not execute any user program.</p> <ul style="list-style-type: none"> • It is possible to load a complete user program. • All system services (communications, etc.) are active. • The I/O modules are in a secure state, i.e. the digital outputs have the status "LOW" and the analog outputs are at zero current/voltage. • The technology packages are inactive, i.e. all enables are deleted. No axis motions can be executed.
3	MRES	<p>Module memory reset / reset the SIMOTION D410-2 to the default settings.</p> <p>Using the MRES switch position, you can perform depending on the operating sequence</p> <ul style="list-style-type: none"> • Memory reset of the SIMOTION D410-2 or • Restore the SIMOTION D410-2 to the default settings. <p>For additional details on the operating sequence, see the <i>SIMOTION D410-2</i> Commissioning and Hardware Installation Manual.</p>

Note

In the "RUN" setting, you can also control the SIMOTION D410-2 operating mode from the SIMOTION SCOUT engineering system. This means that it is not necessary to adjust the mode switch to change the operating mode.

Additional references

Detailed information

- For information on setting the operating modes, see the *SIMOTION SCOUT* Configuration Manual.
- For device upgrade (device update tool), see *Upgrading SIMOTION Devices* Operating Instructions.

3.2.3 DIAG button

Layout

The DIAG button is located on the SIMOTION D410-2 behind the blanking cover on the front.



Figure 3-4 DIAG button

Function

The diagnostic data and non-volatile SIMOTION data is backed up on the CompactFlash card via the DIAG button. The DIAG button function therefore corresponds to the function of switch position "D" of the Service selection switch.

The following options are available to backup the diagnostic data and the non-volatile SIMOTION data:

- Backup during operation (in STOP/STOPU/RUN operating state)
A short pressing of the DIAG button suffices to initiate the backup of the data. The DIAG button is therefore preferable to switch position "D" of the Service selection switch.
- Backup during the module startup
The DIAG button must be kept pressed until the boot process has completed. Since this can take between 20 and 30 seconds, the switch position "D" of the Service selector switch is preferable in this case.

Additional references

For detailed information on creating diagnostic data and backing up / restoring non-volatile SIMOTION data, refer to the *SIMOTION D410-2* Commissioning and Hardware Installation Manual.

3.2.4 RESET button

Layout

The RESET button is located behind the blanking cover on the SIMOTION D410-2.



Figure 3-5 RESET button

Function

The entire system is reset when the RESET button is pressed and a new power-up of the system forced.

3.2.5 Switch S5.0

Layout

SIMOTION D410-2 provides the S5.0 switch behind the blanking cover in the lower area of the front panel.

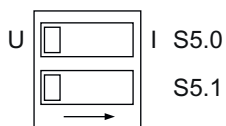


Figure 3-6 Switch S5.0

Function

The DIP switch is used for switching the analog input (X131 connector) as voltage or current input.

Table 3-3 S5.0 switch positions

Position	Function
U	The analog input is used as voltage input.
I	The analog input is used as current input.

See also

Interface assignment (Page 58)

3.2.6 SIMOTION CompactFlash card

Function

The SIMOTION Kernel (SIMOTION D410-2 firmware) and the software used to control the drives (SINAMICS firmware) are contained on the CF card.

The CompactFlash card (CF card) is used to

- Backup technology packages and user data
- Update (e.g. SIMOTION firmware update)

Slot for CompactFlash card

The CF card is inserted into the plug-in module over the blanking cover (see Overview of operator control and display elements (Page 39)).

NOTICE

Impermissible use of the CompactFlash card

The CF card of the SIMOTION D410-2 must not be used in a SIMOTION D410, D4x5 or D4x5-2!

NOTICE

Elektrostatisch gefährdete Bauelemente

The CompactFlash card is an ESD-sensitive component.

De-energize the SIMOTION D410-2 device before inserting or removing the CompactFlash card. The SIMOTION D410-2 is in a de-energized state when all the LEDs are OFF.

Comply with the ESD rules.

Additional information

For more information on writing and formatting the CF card, see the *SIMOTION D410-2* Commissioning Manual.

3.3 Error and status displays

Arrangement of LED displays

The LED displays are located next to the CompactFlash card plug-in slot on the SIMOTION D410-2.



Figure 3-7 LED displays: D410-2 DP (on the left), D410-2 DP/PN (on the right)

Meaning of the LED displays

This table describes the LEDs and their meaning.

Table 3-4 Error and status displays

LED		Meaning
D410-2 DP	D410-2 DP/PN	
RDY	RDY	Status indicator of the SINAMICS Integrated
RUN/STOP	RUN/STOP	SIMOTION D410-2 operating states
OUT>5V	–	Encoder current supply > 5 V (TTL/HTL)
–	OUT>5V/SY	Encoder current supply > 5 V (TTL/HTL) Synchronization status (SY) of the onboard PROFINET IO interface (X150)
SF/BF:	SF/BF:	Group error / bus fault

Additional information

You can perform a detailed diagnosis with a PG/PC and the engineering system. For information about diagnostics using LED displays, refer to the *SIMOTION D410-2 Commissioning and Hardware Installation Manual*, Section "Diagnostics using LED displays".

Interfaces

4.1 Overview of interfaces

This section describes the interfaces of the SIMOTION D410-2. Information on the arrangement of the interfaces on the module can be found in Sections SIMOTION D410-2 DP representation (Page 29) and SIMOTION D410-2 DP/PN drawing (Page 31).

Available interfaces

Table 4-1 Overview of available SIMOTION D410-2 interfaces

Interface	Type	Connector type
X100	DRIVE-CLiQ interface (DQ)	8-pin RJ45plus socket to connect DRIVE-CLiQ nodes
X21	PROFIBUS DP/MPI interface	9-pin SUB-D socket to connect to PROFIBUS DP or MPI
X24	PROFIBUS DP interface (SIMOTION D410-2 DP only)	9-pin SUB-D socket to connect to PROFIBUS DP
X150 P1, P2	PROFINET IO interface (SIMOTION D410-2 DP/PN only)	8-pin RJ45 socket to connect to PROFINET IO
X23	Encoder interface (ENC)	15-pin SUB-D socket for connecting HTL, TTL and SSI encoders
X120	Temperature sensor connection, fail-safe digital inputs	12-pin spring-loaded terminal
X121	Isolated digital inputs, fast digital I/Os	12-pin spring-loaded terminal
X130	Isolated digital input, fail-safe digital output	8-pin spring-loaded terminal
X131	Fast digital I/Os, analog input	8-pin spring-loaded terminal
X124	Power supply connection	4-pin screw-type terminal connection
X127 P1	Ethernet interface (PN/IE)	8-pin RJ45 socket for Ethernet connection (LAN)
T0, T1, T2 and G	Measuring sockets	Sockets to output analog signals
PM-IF	Power module interface	8-pin direct connector to connect to a blocksize power module

Non-usable interfaces

Table 4-2 Overview of non-usable SIMOTION D410-2 interfaces

Interface	Designation	Connector type
Interface for BOP	BOP	8-pin multipoint connector

4.2 DRIVE-CLiQ interface

Properties

DRIVE-CLiQ has the following properties:

- Automatic detection of components by the Control Unit
- Independent expansion of components possible
- Standardized interfaces to all components
- Uniform diagnostics down to the components
- Complete service down to the components
- Mechanical parts are easy to use

For the DRIVE-CLiQ interface, 24 V / 450 mA are available to connect encoders and measuring systems.

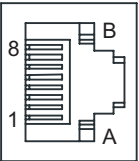
Interface characteristics

Table 4-3 Interface X100

Characteristic	Type
Connector type	DRIVE-CLiQ connector
Maximum cable length	100 m
Data rate	100 Mbits
Connector type: RJ45 socket; blanking cover for DRIVE-CLiQ interface included in the scope of delivery; blanking cover (50 pieces) Article number: 6SL3066-4CA00-0AA0	

Interface assignment

Table 4-4 Interface assignment X100

Representation	Pin	Name	Signal type	Description
	1	TXP	O	Transmit data +
	2	TXN	O	Transmit data -
	3	RXP	I	Receive data +
	4	Reserved, do not use	-	-
	5	Reserved, do not use	-	-
	6	RXN	I	Receive data -
	7	Reserved, do not use	-	-
	8	Reserved, do not use	-	-
	A	+ (24 V)	VO	Power supply
	B	M (0 V)	VO	Electronic ground

Signal type: I = Input; O = Output; VO = Voltage Output

Connectable devices

The following table contains the components that can communicate with SIMOTION D410-2 via the DRIVE-CLiQ interface. Note the max. number of nodes that can be connected to the DRIVE-CLiQ!

Note

Note also the topology rules of the SINAMICS S120, see *SINAMICS S120* Function Manual, Chapter "Rules for wiring with DRIVE-CLiQ".

Table 4-5 DRIVE-CLiQ connection topology

Component	Max. number of connectable nodes
Drive	Max. 1 drive from the following: <ul style="list-style-type: none"> • Blocksize Power Module (D410-2 directly snapped on) • Blocksize Power Module (D410-2 issued via CUA31/CUA32) • Chassis Power Module AC/AC
Motors with DRIVE-CLiQ interface, DRIVE-CLiQ encoder and SMx Sensor Modules	Max. 5 encoder systems via DRIVE-CLiQ: <ul style="list-style-type: none"> • Sensor Modules (SMx) for transferring an encoder signal to DRIVE-CLiQ • Encoders with DRIVE-CLiQ interface • Motors with DRIVE-CLiQ interface You require a DRIVE-CLiQ hub module (DMC20/DME20) or a CUA32 to connect more than one encoder system via DRIVE-CLiQ.
Terminal expansion modules	Max. 8 Terminal Modules (TM), of which <ul style="list-style-type: none"> • Up to 3 TM15, TM17 High Feature, TM41 • Up to 8 TM15 DI/DO, TM31, TM120, TM150 • Maximum one TM54F
DRIVE-CLiQ hub module 20 (DMC20/DME20)	Max. 1 DMC20 or DME20 Note: Because an SMx Sensor Module and a motor with a DRIVE-CLiQ interface have only one DRIVE-CLiQ interface, a DMC20/DME20 must be used with a second encoder on the DRIVE-CLiQ. If a CUA31/CUA32 is used, the DMC20/DME20 is not required. Alternatively, a second encoder can also be connected via the X23 encoder interface.

Additional information

For information on the components that can be connected via DRIVE-CLiQ (setup, connection, configuration, etc.) see

- *SINAMICS S120 Control Units and Additional System Components* Manual
- *SINAMICS S120 for AC Drives* Manual
- *SINAMICS S120* Commissioning Manual
- *SINAMICS S120 Safety Integrated* Function Manual

4.3 PROFIBUS DP interfaces

- *TM15/TM17 High Feature SIMOTION Terminal Modules Commissioning Manual*
- *SIMOTION Terminal Modules TM15 / TM17 Manual*

4.3 PROFIBUS DP interfaces

Properties

SIMOTION D410-2 provides the following interfaces for connection on the PROFIBUS DP:

Table 4-6 SIMOTION D410-2 PROFIBUS interfaces

	D410-2 DP	D410-2 DP/PN
PROFIBUS DP/MPI interface	X21	X21
PROFIBUS DP interface	X24	–

The interfaces can be run asynchronously or isochronously, equidistant.

SIMOTION D410-2 includes master and I-slave functionality.

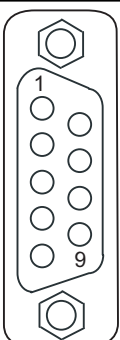
Interface characteristics

Table 4-7 X21 and X24 interfaces

Characteristics	Type
Connector type	9-pin sub D socket
Cable type	PROFIBUS cable
Max. cable length	100 m at 12 Mbit/s
Max. data rate	12 Mbit/s

Interface assignment X21

Table 4-8 PROFIBUS DP/MPI interface (X21)

Representation	Pin	Signal name	Signal type	Meaning
	1	-	-	Reserved, do not use
	2	M	VO	Ground to P24_SERV
	3	1RS_DP	B	RS-485 differential signal
	4	1RTS_DP	O	Request to send
	5	1M	VO	Ground to 1P5
	6	1P5	VO	5 V power supply for bus terminal, external, short-circuit proof
	7	P24_SERV	VO	24 V for teleservice, short-circuit proof, 150 mA maximum
	8	1XRS_DP	B	RS-485 differential signal
	9	-	-	Reserved, do not use

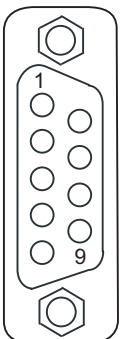
The 1P5 voltage is provided exclusively for the bus terminal.

No OLPs are permitted.

Signal type: VO = Voltage output (power supply); O = Output; B = Bidirectional

X24 interface assignment

Table 4-9 PROFIBUS DP interface X24 (SIMOTION D410-2 DP only)

Representation	Pin	Signal name	Signal type	Meaning
	1	--	--	Reserved, do not use
	2	M	VO	Ground to P24_SERV
	3	2RS_DP	B	RS-485 differential signal
	4	2RTS_DP	O	Request to send
	5	1M	VO	Ground to 1P5
	6	1P5	VO	5 V power supply for bus terminal, external, short-circuit proof
	7	P24_SERV	VO	24 V for teleservice, short-circuit proof, 150 mA maximum
	8	2XRS_DP	B	RS-485 differential signal
	9	--	--	Reserved, do not use

The 1P5 voltage is provided exclusively for the bus terminal.

No OLPs are permitted.

Signal type: VO = Voltage output (power supply); O = Output; B = Bidirectional

Connectable devices

The following devices can be connected to the PROFIBUS DP interfaces:

- PG/PC
- SIMATIC HMI devices

4.4 PROFINET IO interface (SIMOTION D410-2 DP/PN only)

- SIMATIC controllers with PROFIBUS DP interface
- Distributed I/O
- Teleservice adapter
- Drive units with PROFIBUS DP interface (standard slaves)

Note

For remote diagnosis, a teleservice adapter can be connected to the PROFIBUS X21 or X24 interface. A teleservice adapter can only be connected to one of the two interfaces.

The power supply for the teleservice adapter (terminals 2 and 7) can accept current loads as high as 150 mA and is sustained short-circuit proof.

4.4 PROFINET IO interface (SIMOTION D410-2 DP/PN only)

Properties

PROFINET is an open component-based industrial communication system using Ethernet for distributed automation systems.

SIMOTION D410-2 DP/PN has a PROFINET interface with two ports (X150 P1-P2) onboard. The PROFINET interface supports operation of a SIMOTION D410-2 DP/PN as an IO controller and/or as an I device.

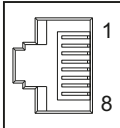
Interface characteristics

Table 4-10 Ports X150 P1 to P2

Characteristic	Type
Connector type	RJ45 socket connector
Cable type	PROFINET
Maximum cable length	100 m
Minimum send cycle clock	0.25 ms
Autocrossing	Yes i.e. both crossed and uncrossed cables can be used
Dust protection filler plugs for sealing unused PROFINET ports	One filler plug contained in the D410-2 scope of delivery Filler plugs (50 pcs) article number: 6SL3066-4CA00-0AA0

Interface assignment

Table 4-11 Assignment of the ports X150 P1 to P2

Representation	Pin	Name	Description
	1	TXP	Send data +
	2	TXN	Send data -
	3	RXP	Receive data +
	4	-	Reserved, do not use
	5	-	Reserved, do not use
	6	RXN	Receive data -
	7	-	Reserved, do not use
	8	-	Reserved, do not use

LED displays of the PROFINET interface

The PROFINET ports X150 P1 and P2 have two integrated LEDs each for displaying link and activity.

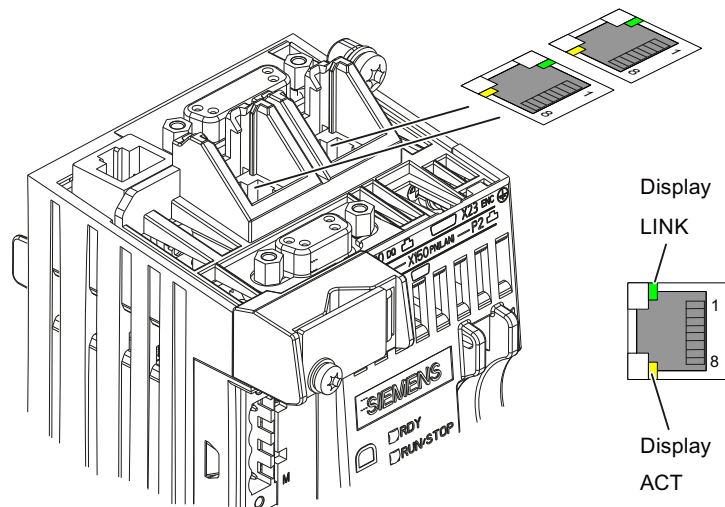


Figure 4-1 PROFINET ports of the D410-2 DP/PN

Table 4-12 State of the Link and Activity LEDs

LED	State	Meaning
LINK	OFF	No or faulty connection
	Lights up green	Transmission rate 10 or 100 Mbit/s: A different device is connected to port x and a physical connection exists
ACT	OFF	No data exchange
	Flickers yellow	Data exchange: Data is being received or sent at port x.

4.5 Encoder interface (HTL/TTL/SSI)

Connectable devices

The following devices can be connected to the PROFINET IO interface:

- PG/PC programming devices (communication with SIMOTION SCOUT / STEP 7)
- SIMATIC HMI devices
- SIMATIC controllers with PROFINET interface
- Distributed I/O
- Drive units with PROFINET IO interface (standard devices)

The SIMOTION D410-2 DP/PN then assumes the role of a PROFINET IO controller and can offer the following functions:

- PROFINET IO controller, I-device (also controller and device simultaneously)
- Supports real-time classes of PROFINET IO:
 - RT (real-time)
 - IRT (isochronous real-time)

The following functions are also supported by Industrial Ethernet:

- Communication between SIMOTION and SIMATIC NET OPC.
The "SIMATIC NET SOFTNET S7 (S7 OPC server)" software must be installed on the PG/PC for this function.
- Communication with other devices over TCP/IP or UDP communication
- IT communication (e.g. via SIMOTION IT OPC XML-DA)
- Communication based on OPC UA (Unified Architecture)

For further information on the software packages, see the *SIMOTION PM 21* Catalog.

4.5 Encoder interface (HTL/TTL/SSI)

The HTL/TTL/SSI encoder interface is used to connect external encoders.

Interface characteristics

Table 4-13 Interface X23

Characteristic	Type
Encoder interface	<ul style="list-style-type: none"> • TTL or HTL incremental encoders (with adjustable parameters) • Absolute encoder SSI
Connector type	15-pin sub D connector
Measuring current via temperature sensor connection	2 mA

NOTICE

Destruction of the encoder electronics

Operation of a 5 V encoder on the 24 V encoder supply may result in the destruction of its electronic components!

Make sure that you can operate the connected encoder on a 24 V power supply (e.g. HTL encoder). This setting can be set in the expert list of the drive in parameter p0400 and in the following parameters.

Interface assignment

Table 4-14 Interface assignment X23

Representation	Pin	Name	Description
	1	+Temp	KTY, PT1000 or PTC input
	2	SSI_CLK	SSI clock positive
	3	SSI_XCLK	SSI clock negative
	4	P_Encoder 5 V / 24 V	Encoder power supply
	5	P_Encoder 5 V / 24 V	Encoder power supply
	6	P_Sense	Sense input encoder power supply
	7	G_Encoder (G)	Ground for sensor power supply
	8	-Temp (G)	Ground for KTY, PT1000 or PTC
	9	G_Sense (G)	Ground sense input
	10	RP	R track positive
	11	RN	R track negative
	12	BN	B track negative
	13	BP	B track positive
	14	AN_SSI_XDAT	A track negative / SSI data negative
	15	AP_SSI_DAT	A track positive / SSI data positive

For Pin 1 / Pin 8: The associated temperature channel (T1) can be assigned parameters as an individual channel or together in combination with the second temperature channel (T2) at interface X120. (For parameterization, see the *SINAMICS S120* Commissioning Manual).

For Pin 6 / Pin 9: At an encoder supply of 5 V, the voltage drops on the encoder supply cables are recorded and compensated by means of the sense cables. For this purpose, the sensor supply is corrected on the SIMOTION D410-2.

4.5 Encoder interface (HTL/TTL/SSI)

NOTICE

Motor overheating due to an incorrectly connected KTY temperature sensor

A sensor connected with the incorrect polarity cannot detect the motor overheating.

Connect the KTY temperature sensor with the correct polarity.

For more information on the temperature sensors and how to use them, see the *SINAMICS S120* Commissioning Manual, in Chapter Temperature sensors for SINAMICS components.

Note

- There are two ways of connecting the temperature sensor:
1. Via X120, terminal 1 and 2
 2. Via X23, pins 1 and 8

Table 4-15 Specification of measuring systems that can be connected

Parameter	Designation	Threshold	Min.	Type	Max.	Unit
Permissible signal level in the bipolar mode (parameter p0405.1=1); (TTL, SSI, HTL bipolar at X23) ^{1), 2)}	U_{diff}		2,0		V_{CC}	V
Permissible signal frequency	f_s		-		500	kHz
Required edge clearance	t_{min}		100		-	ns
Permissible zero pulse (with $T_s = 1/f_s$)	Length		$\frac{1}{4} \cdot T_s$		$\frac{3}{4} \cdot T_s$	
	Center of the pulse position		50	135	220	Degrees
Switching threshold in the unipolar mode (parameter p0405.0=0) and signals AN_SSI_XDAT, BN, RN at X23 connected to M_Encoder ³⁾	$U_{(Schalt)}$	High ⁴⁾ (p0405.4=1)	8,4	10,6	13,1	V
		Low (p0405.4=0)	3,5	4,8	6,3	V
Switching threshold in the unipolar mode (parameter p0405.0=0) and signals AN_SSI_XDAT, BN, RN not connected to X23	$U_{(Schalt)}$	High ⁴⁾ (p0405.4=1)	9	11,3	13,8	V
		Low (p0405.4=0)	5,9	7,9	10,2	V

- ¹⁾ Other signal levels according to the RS422 specification.
- ²⁾ The absolute level of the individual signals varies between 0 V and VCC of the measuring system.
- ³⁾ See SINAMICS S120/S150 List Manual for setting the mode.
- ⁴⁾ See SINAMICS S120/S150 List Manual for setting the threshold.

Note

We recommend that bipolar encoders are used

When using unipolar encoders, the unused negative track signals can either be connected or connected to ground. This results in different switching thresholds.

Note**Prefabricated cable for 5 V - TTL encoder**

If a 5 V - TTL encoder (6FX encoder) is used, the connecting cable 6FX8002-2CR00-... must be used.

4.6 Digital I/Os / temperature sensor / analog input

4.6.1 Properties

The onboard I/Os (Onboard I/Os) of the SIMOTION D410-2 are assigned to the SINAMICS Integrated. An appropriate configuration allows the I/Os also to be used by SIMOTION.

Digital I/Os

The digital I/Os at the X120, X121 and X130, X131 connectors are provided for the connection of sensors and actuators.

Following types of digital I/Os are available on the SIMOTION D410-2:

- Three fail-safe electrically-isolated digital inputs (F-DI)
(can be used alternatively as six standard digital inputs, DI 17 can also be used as EP terminal)
- One fail-safe electrically-isolated digital output (F-DO)
(can be used alternatively as one standard digital output)
- Five electrically-isolated digital inputs (DI)
- Eight high-speed non-isolated digital I/Os (DI/DO)

Assignment of the I/Os to functions can be parameterized as required. Special functions (e.g. input of measuring input and output for output cam) can also be assigned to the I/Os.

Note

For optimal noise immunity of the digital inputs, the use of shielded cables is necessary if they are to be used as

- Inputs of measuring inputs or
 - Inputs for equivalent zero mark
-

Analog input

The analog input at connector X131 can be parameterized as voltage or current input.

Switching between the voltage or current input using a DIP switch, refer to Switch S5.0 (Page 44).

4.6.2 Interface characteristics

Table 4-16 Interface characteristics

Features		Type
Connector type (X120, X121)		12-pin spring-loaded terminal
Connector type (X130, X131)		8-pin spring-loaded terminal
Connectable cable types and conductor cross-sections		
	Rigid	0.2 mm ² ... 1.5 mm ²
	Flexible	0.2 mm ² ... 1.5 mm ²
	Flexible, with wire-end ferrule without plastic sleeve	0.25 mm ² ... 1.5 mm ²
	Flexible, with wire-end ferrule with plastic sleeve	0.25 mm ² ... 0.75 mm ²
	AWG / kcmil	24 ... 16
Stripped length		10 mm
Tool		Screwdriver 0.4 x 2.0 mm
Max. cable length		30 m

Note

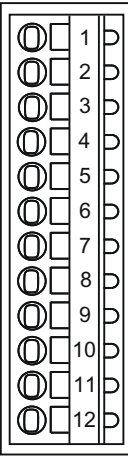
To prevent an incorrect connection, the X120, X121, X130 and X131 connectors are supplied coded. The terminal and pin numbers are also inscribed on the connectors.

4.6.3 Interface assignment

The following tables contain the pin assignments of the onboard I/Os.

X120

Table 4-17 Interface assignment X120

Representation	Pin	Designation	Notes	
	1	+Temp	Motor temperature sensor input. Temperature sensors: KTY84–1C130 / PT1000 / PTC Measuring current via temperature sensor connection: 2 mA	
	2	-Temp		
	3	F-DI 0 ²⁾	DI 16	Fail-safe digital input 0 or digital inputs 16 and 17 EP function (Enable Pulses) when using Safety Integrated Basic Functions via terminal
	4		DI 17+ / EP +24 V3 (Enable Pulses)	
	5		DI 17- / EP M3 (Enable Pulses) ¹⁾	
	6	F-DI 1 ²⁾	DI 18	Fail-safe digital input 1 or digital inputs 18 and 19
	7		DI 19+	
	8		DI 19- ¹⁾	
	9	F-DI 2 ²⁾	DI 20	Fail-safe digital input 2 or digital inputs 20 and 21
	10		DI 21+	
	11		DI 21- ¹⁾	
	12	M1		Reference potential for: <ul style="list-style-type: none"> • DI 16, DI 18 and DI 20 (or F-DI 0 to F-DI 2; first shutdown path) • DO 16+ (or F-DO 0)

¹⁾ Reference potential for DI 17+ / DI 19+ / DI 21+ (or F-DI 0 to F-DI 2; second shutdown path)

²⁾ Functionality depends on the parameterized Safety Integrated functions.

The functionality of the digital inputs DI 16 to DI 21 depends on the parameterized Safety Integrated functions.

Table 4-18 Safety Integrated functions using onboard terminals

Safety Integrated functions	Relevant digital inputs	
Basic Functions	Control takes place via two switch-off signal paths:	
	1st switch-off signal path	via D410-2 terminals DI 0 ... DI 3, DI 16 (X121.1...4 and X120.3) The desired input terminal is selected via BICO interconnection (BI: p9620[0]).
	2nd switch-off signal path	via EP terminal <ul style="list-style-type: none"> • D410-2: X120.4 and X120.5 • Power Module Blocksize with CUA3x: X210.3 and X210.4 • Power Module Chassis: X41.1 and X41.2 on the Control Interface Module (CIM)
Extended Functions	Control takes place via the 2-channel F-DI of the SIMOTION D410-2: F-DI 0 ... F-DI 2 (X120.3...11) A fail-safe digital input is made up of two digital inputs. If SIMOTION D410-2 is mounted separately (Power Module connected to SIMOTION D410-2 via CUA31/32), use of the Safety Integrated Extended and Advanced Functions via the onboard terminals (F-DI, F-DO) is not possible.	

Note

Using the "STO" safety function via the Power Module terminals for the PM240-2 (FSD, FSE and FSF). With enabled Safety Integrated functions of the D410-2, a simultaneously active STO function via Power Module terminals results in error messages being output (e.g. fault F30600, reason 1005).

- Deactivate the function "STO via Power Module terminals" by setting both the DIP switches for the interface STO_A/STO_B to the "0" position. Further information, see SINAMICS S120 Manual for AC Drives, section Power Modules Blocksize (PM240-2)

The X120 interface has a connection for the motor temperature sensor.

You can use the temperature sensor connection to connect the temperature sensing via KTY84-1C130 (special temperature sensor) or PTC (positive temperature coefficient). The temperature sensing provides thermal motor protection by detecting critical motor conditions.

For more information on "thermal motor protection", see the *SINAMICS S120* Commissioning Manual.

NOTICE**Motor overheating due to an incorrectly connected KTY temperature sensor**

A sensor connected with the incorrect polarity cannot detect the motor overheating.

Connect the KTY temperature sensor with the correct polarity.

For more information on the temperature sensors and how to use them, see the *SINAMICS S120* Commissioning Manual, Section Temperature sensors for SINAMICS components.

The maximum length of the temperature sensor cable is 300 m. The cables must be shielded. For cable lengths >100 m, cables with a cross-section of $\geq 1 \text{ mm}^2$ must be used.

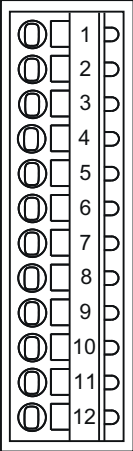
**⚠ DANGER****Danger to life from electric shock due to insufficient safety isolation**

Only temperature sensors that meet the safety isolation specifications stipulated in EN 61800-5-1 may be connected to terminals "+Temp" and "-Temp".

Use a Sensor Module External (SME120 or SME125) or Terminal Module TM120 if safe electrical separation cannot be guaranteed (for linear motors or third-party motors, for example).

X121

Table 4-19 Interface assignment X121

Representation	Pin	Designation	Notes
	1	DI 0	Isolated digital input 0
	2	DI 1	Isolated digital input 1
	3	DI 2	Isolated digital input 2
	4	DI 3	Isolated digital input 3
	5	M2	Ground reference for DI 0 ... DI 3
	6	M	Ground reference of the electronics ¹⁾
	7	DI/DO 8	High-speed digital I/O 8, not isolated
	8	DI/DO 9	High-speed digital I/O 9, not isolated
	9	M	Ground reference of the electronics ¹⁾
	10	DI/DO 10	High-speed digital I/O 10, not isolated
	11	DI/DO 11	High-speed digital I/O 11, not isolated
	12	M	Ground reference of the electronics ¹⁾

¹⁾ Reference potential for the digital inputs/outputs and analog input

Note

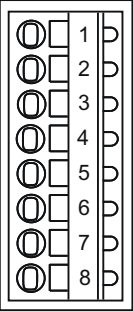
An open input is interpreted as "low".

The use of the digital inputs (DI 0 ... DI 3) requires terminal M2 be connected. This is achieved by:

- Providing the reference ground of the digital inputs, or
- a jumper to terminal M. This removes the electrical isolation for these digital inputs.

X130

Table 4-20 X130 interface assignment

Representation	Pin	Designation	Notes
	1	DI 22+	Isolated digital input 22
	2	DI 22- ²⁾	Reference potential for DI 22+
	3	M2	Ground reference for DI 0 ... DI 3
	4	M	Ground reference of the electronics ¹⁾
	5	M1	Reference potential for: <ul style="list-style-type: none"> DI 16, DI 18 and DI 20 (or F-DI 0 to F-DI 2; first shutdown path) DO 16+ (or F-DO 0)
	6	24 V1	Power supply for DO 16+ (or F-DO 0)
	7	F-DO 0 ⁴⁾	Fail-safe digital output 0 or digital output 16
	8	DO 16- ⁵⁾	

¹⁾ Reference potential for the digital inputs/outputs and analog input

²⁾ Reference potential for DI 20+

³⁾ The proper functioning of the DO 16 requires that the terminals 5/6 be connected.

⁴⁾ F-DO 0 for Safety Integrated Extended and Advanced Functions

⁵⁾ For applications "without safety function", DO 16- does not function

Note

An open input is interpreted as "low".

Note

If M1 or M2 is connected with M, the electrical isolation no longer exists.

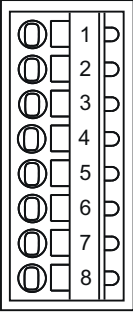
If the digital output (DO 16) cannot be set by the signal source despite being set, an alarm A03507 (digital output not set) is issued. This alarm can also be parameterized as a fault. The possible cause may be missing power supply (X130.6) or a short-circuit. For further details, see the *SINAMICS S120/S150 List Manual*, Section List of faults and alarms.

Note

If the 24 V supply is briefly interrupted, the digital output is deactivated until the interruption has been rectified.

X131

Table 4-21 X131 interface assignment

Representation	Pin	Designation	Notes
	1	DI/DO 12	High-speed digital I/O 12, not isolated
	2	DI/DO 13	High-speed digital I/O 13, not isolated
	3	M	Ground reference of the electronics ¹⁾
	4	DI/DO 14	High-speed digital I/O 14, not isolated
	5	DI/DO 15	High-speed digital I/O 15, not isolated
	6	M	Ground reference of the electronics ¹⁾
	7	AI 0+	Analog voltage or current input
	8	AI 0-	

¹⁾ Reference potential for the digital inputs/outputs and analog input

NOTICE

Incorrect results of analog-to-digital conversion due to impermissible input voltage

The common mode range must not be violated.

Makes sure that the analog input voltage signals can have a maximum voltage of ± 12 V with respect to the reference potential. If the range is infringed, incorrect results may occur during analog/digital conversion.

Note

A 24 V supply voltage must be connected to terminal X124 for the digital outputs to be used.

If momentary interruptions in the voltage occur in the 24 V supply, the digital outputs are deactivated until the interruption has been rectified.

If a digital output (DO 8 ... DO 15) is parameterized and the external 24 V power supply is not connected (or the level is too low), the alarm A03506 will be issued. This alarm can also be parameterized as a fault.

For further details, see the *SINAMICS S120/S150 List Manual*, Section List of faults and alarms.

See also

SIMOTION D410-2 DP connection examples (Page 67)

SIMOTION D410-2 DP/PN connection examples (Page 71)

4.6.4 Use of the interfaces

Fail-safe digital I/Os (F-DI/F-DO)

The SIMOTION D410-2 provides three fail-safe isolated digital inputs (F-DI) and one fail-safe isolated digital output (F-DO):

- An F-DI consists of a digital input and a second digital input to which the cathode of the optocoupler is connected.
Each of the F-DIs can also be used as two standard digital inputs, e.g. the use of the F-DI 0 as DI 16 and DI 17.
- The F-DO 0 can also be used as a standard digital output.
The F-DO 0 consists of a high-side switch and a low-side switch. For applications without the safety function, the high-side switch may be used as an additional digital output. The low-side switch is not available.

Note

The following safety functions are available for SIMOTION D410-2:

- Safety Integrated Basic Functions via the EP terminals
- Safety Integrated Extended and Advanced Functions via onboard I/Os (3 F-DI and 1 F-DO)
- Safety Integrated Extended and Advanced Functions with TM54F
- Safety Integrated Basic and Extended/Advanced Functions via secure communication from "PROFIsafe on PROFIBUS"
Control (F logic) is via a SIMATIC F-CPU which is connected to PROFIsafe via PROFIBUS (not SCOUT TIA).
- Safety Integrated Basic and Extended/Advanced Functions via secure communication from "PROFIsafe on PROFINET" (only for SIMOTION D410-2 DP/PN)
Control (F logic) is via a SIMATIC F-CPU which is connected to PROFIsafe via PROFINET (e.g. an S7-1500 F-CPU).

For further information on Safety Integrated, see the *SINAMICS S120 Safety Integrated Function Manual*.

EP terminal

The pulse inhibit function (EP) is only available when Integrated Basic Functions are enabled.

Digital inputs (DI)

The SIMOTION D410-2 provides five digital inputs (DI).

The electrically isolated inputs can be used as freely addressable inputs.

Note

An open input is interpreted as "low".

For the DI 22 digital input to function correctly, the coupled reference potential (DI 22-) must be connected. The following options are available:

- Connect the coupled reference potential of the digital input to M1, M2 or M. This assigns the input to the potential of the associated pin.
- Create a bridge between terminal M and terminal M1 or M2.
Caution: This will cancel the electrical isolation for this digital input!

Bidirectional digital I/Os (DI/DO)

The SIMOTION D410-2 provides eight bidirectional digital I/Os (DI/DO) that can be parameterized channel-specific as digital input or output.

This produces the following usage options for the parameterization of the DI/DO:

Table 4-22 DI/DO usage options

DI/DO	Interface	Use
Parameterization of the DI/DO as digital inputs:		
DI/DO 8 to DI/DO 15	X121, X131	"Fast inputs" for measuring inputs ¹⁾ or homing inputs
DI/DO 8 to DI/DO 15	X121, X131	Freely addressable inputs
Parameterization of the DI/DO as digital outputs:		
DI/DO 8 to DI/DO 15	X121, X131	"High-speed" outputs of output cams
DI/DO 8 to DI/DO 15	X121, X131	Freely addressable outputs

¹⁾ With a signal edge at the relevant input, the current actual values of one or more encoders are measured with positioning accuracy to determine lengths and distances. The assignment of the inputs is not fixed, and the special use is activated in the SIMOTION SCOUT engineering system.

Note

An additional external electronics power supply via terminal X124 is required in two cases:

- If the digital outputs DO 8 to DO 15 are in use, the power supply needs to be connected to X124.
- The Power Module provides the electronics power supply of the SIMOTION D410-2. If the SIMOTION D410-2 needs to remain functional when the Power Module is switched off, X124 must be used for the electronics power supply.

Additional references

For information on configuring the digital I/Os as freely addressable I/Os, inputs of measuring inputs or outputs of output cams, see the *SIMOTION D410-2* Commissioning and Hardware Installation Manual.

For information on the configuration and function of the measuring input and output cam technology objects, refer to the *SIMOTION Output Cams and Measuring Inputs Function Manual*.

4.6.5 SIMOTION D410-2 DP connection examples

Connection examples without Safety Integrated functions

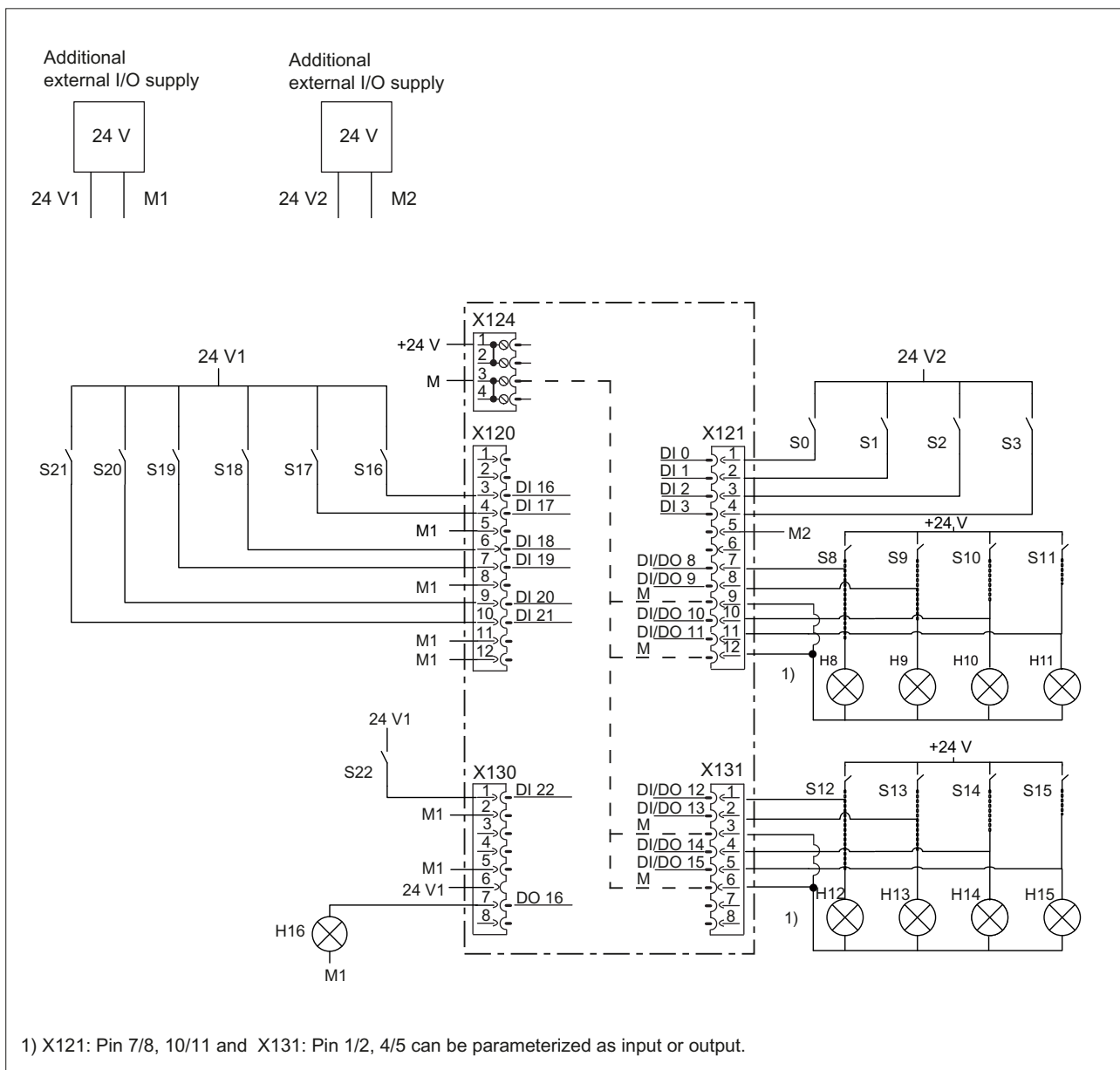


Figure 4-2 Example of circuits for the DI/DO without Safety Integrated functions

4.6 Digital I/Os / temperature sensor / analog input

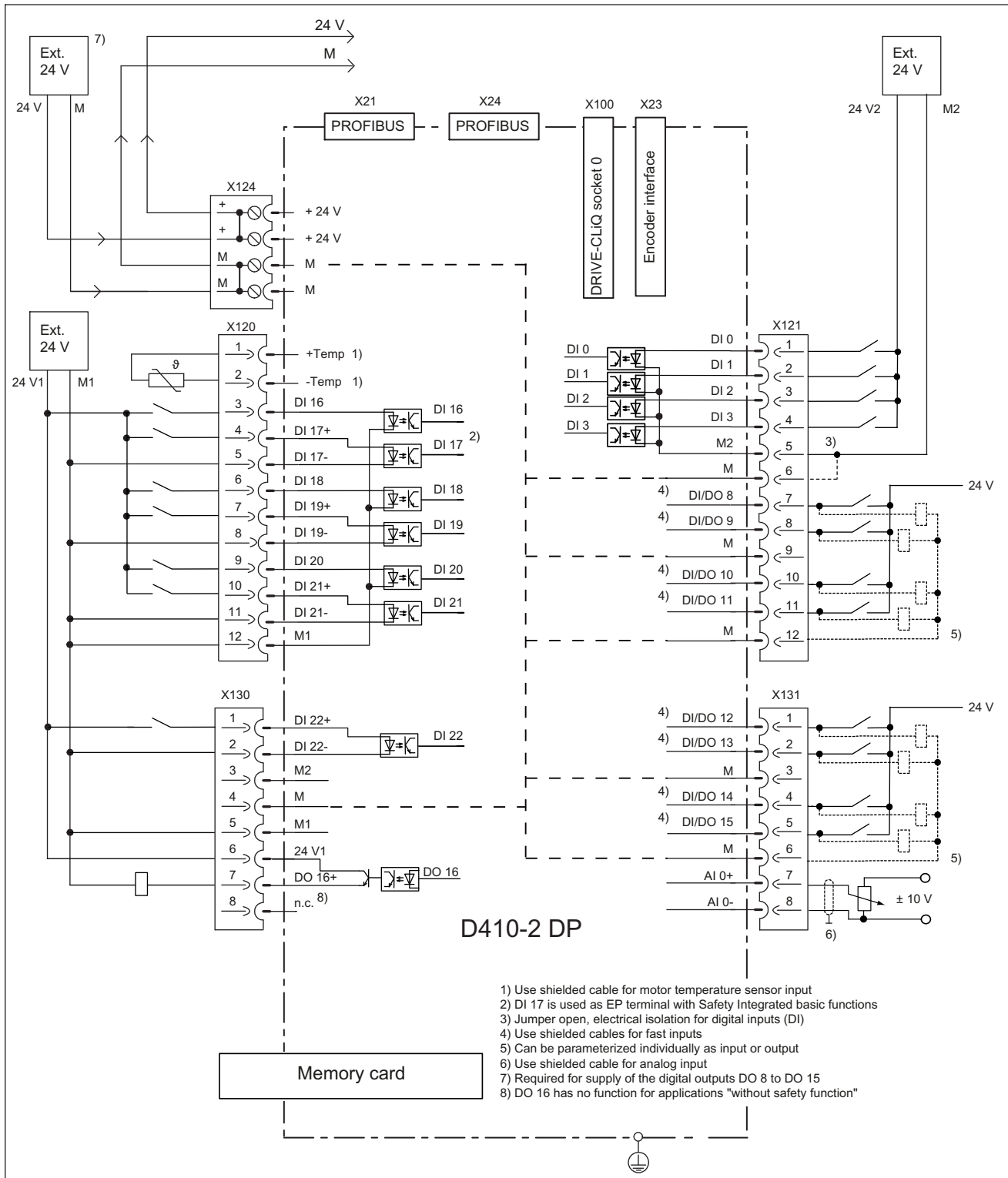


Figure 4-3 Connection example of SIMOTION D410-2 DP without Safety Integrated functions

Connection examples with Safety Integrated Extended and Advanced Functions

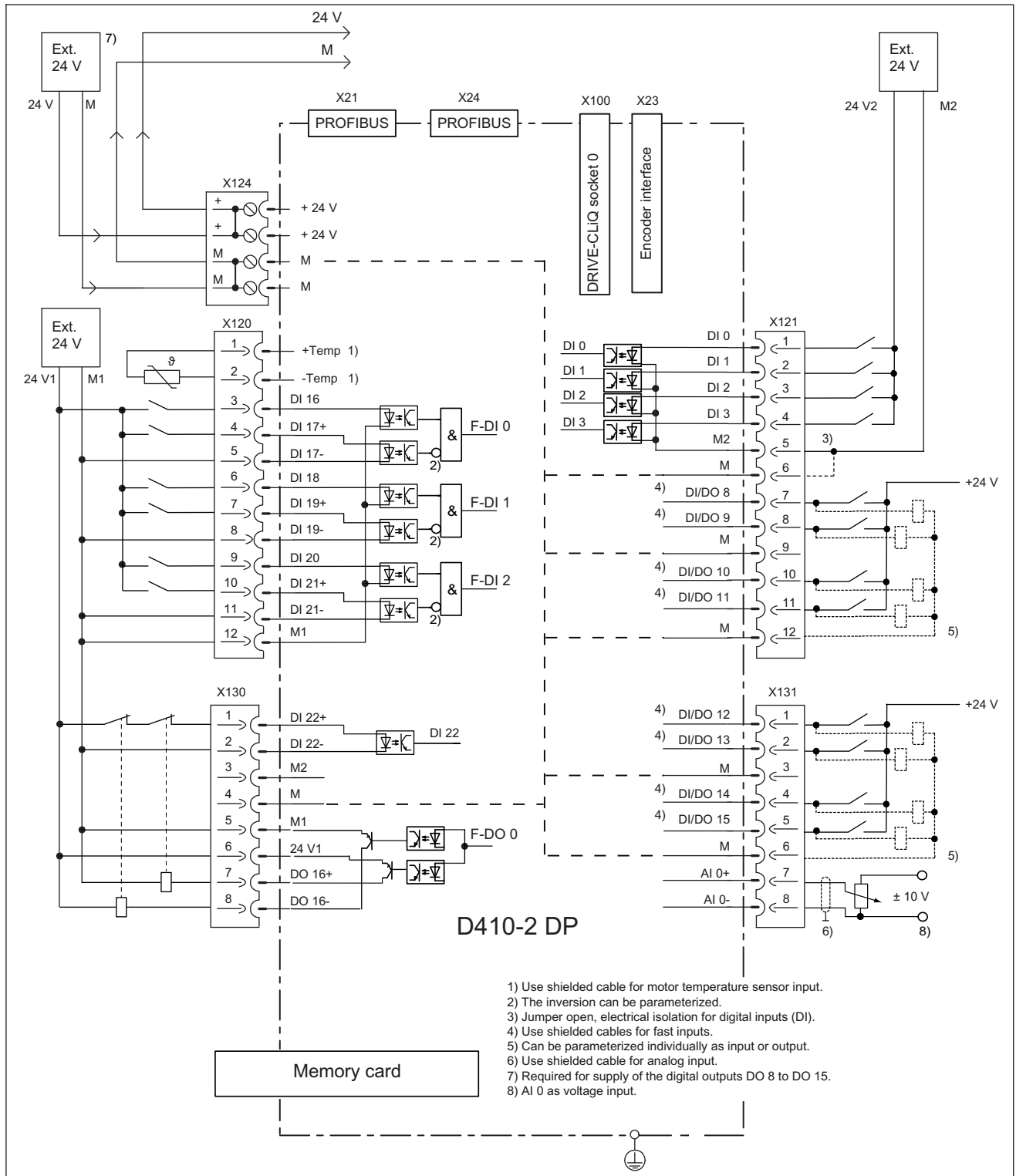


Figure 4-4 Connection example of SIMOTION D410-2 DP with Safety Integrated Extended and Advanced Functions

4.6 Digital I/Os / temperature sensor / analog input

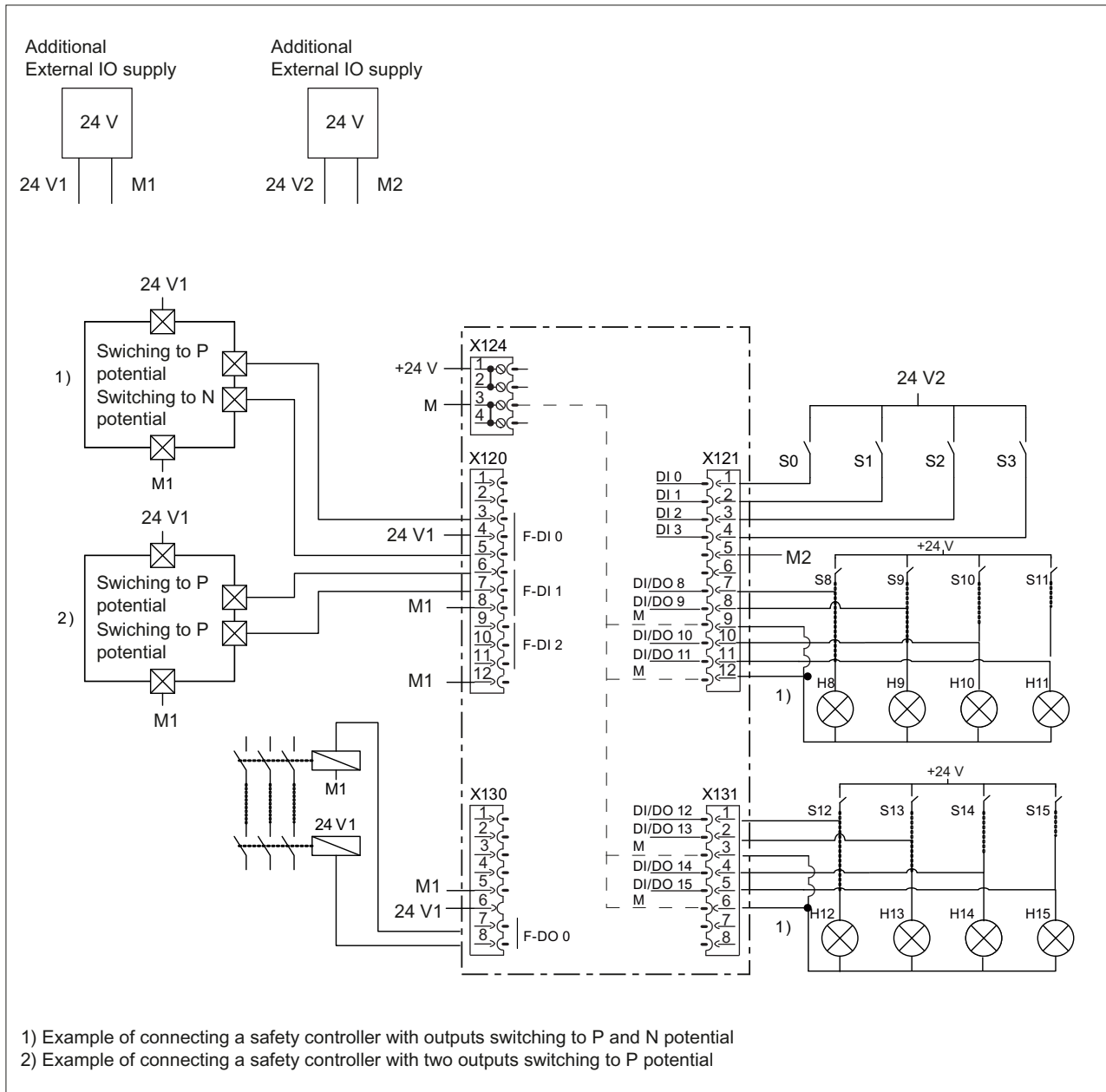


Figure 4-5 Example of circuits for the F-DI and F-DO with Safety Integrated Extended and Advanced Functions

4.6.6 SIMOTION D410-2 DP/PN connection examples

Connection examples without Safety Integrated Extended and Advanced Functions

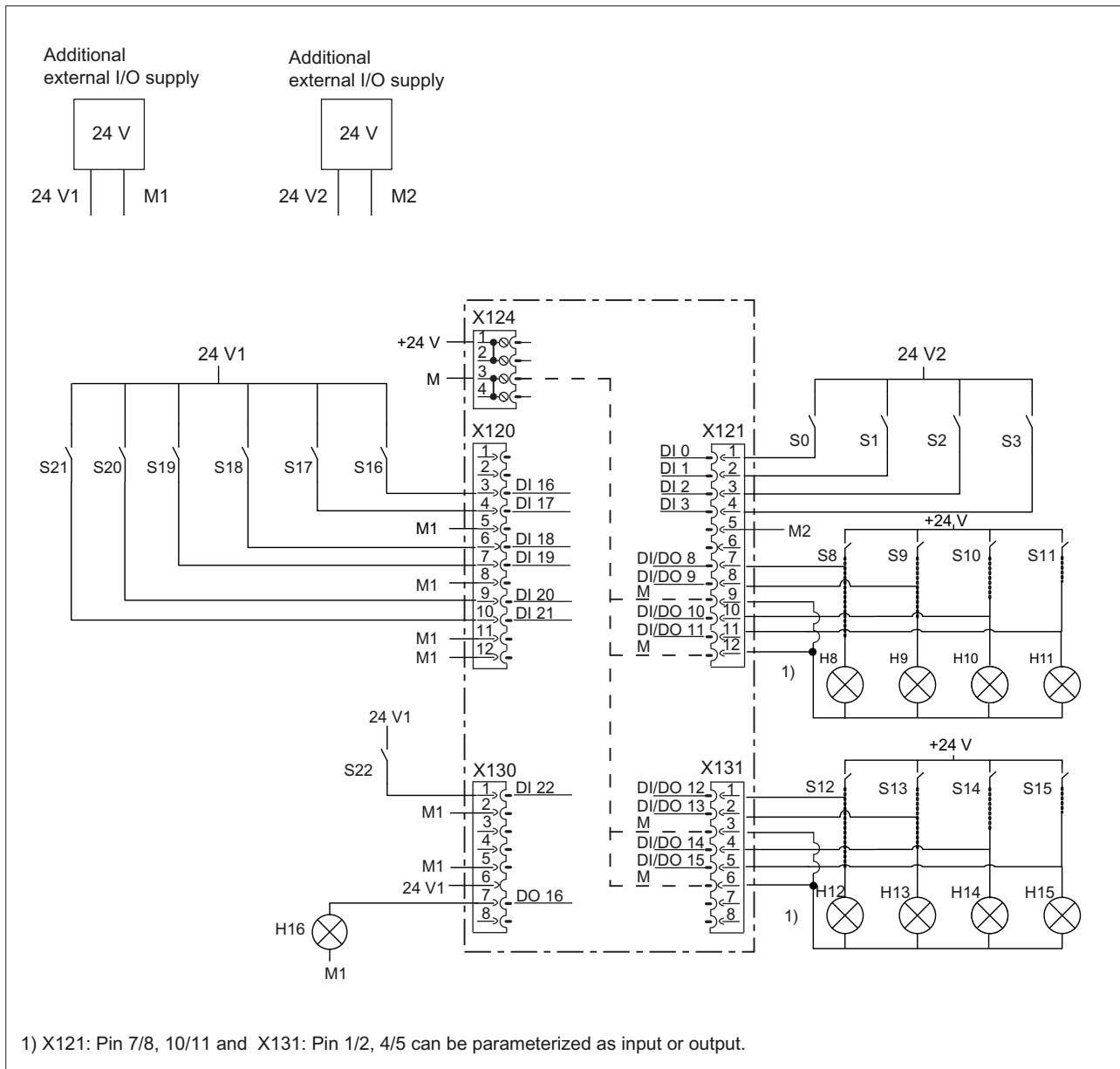


Figure 4-6 Example of circuits for the DI/DO without Safety Integrated Extended and Advanced Functions

4.6 Digital I/Os / temperature sensor / analog input

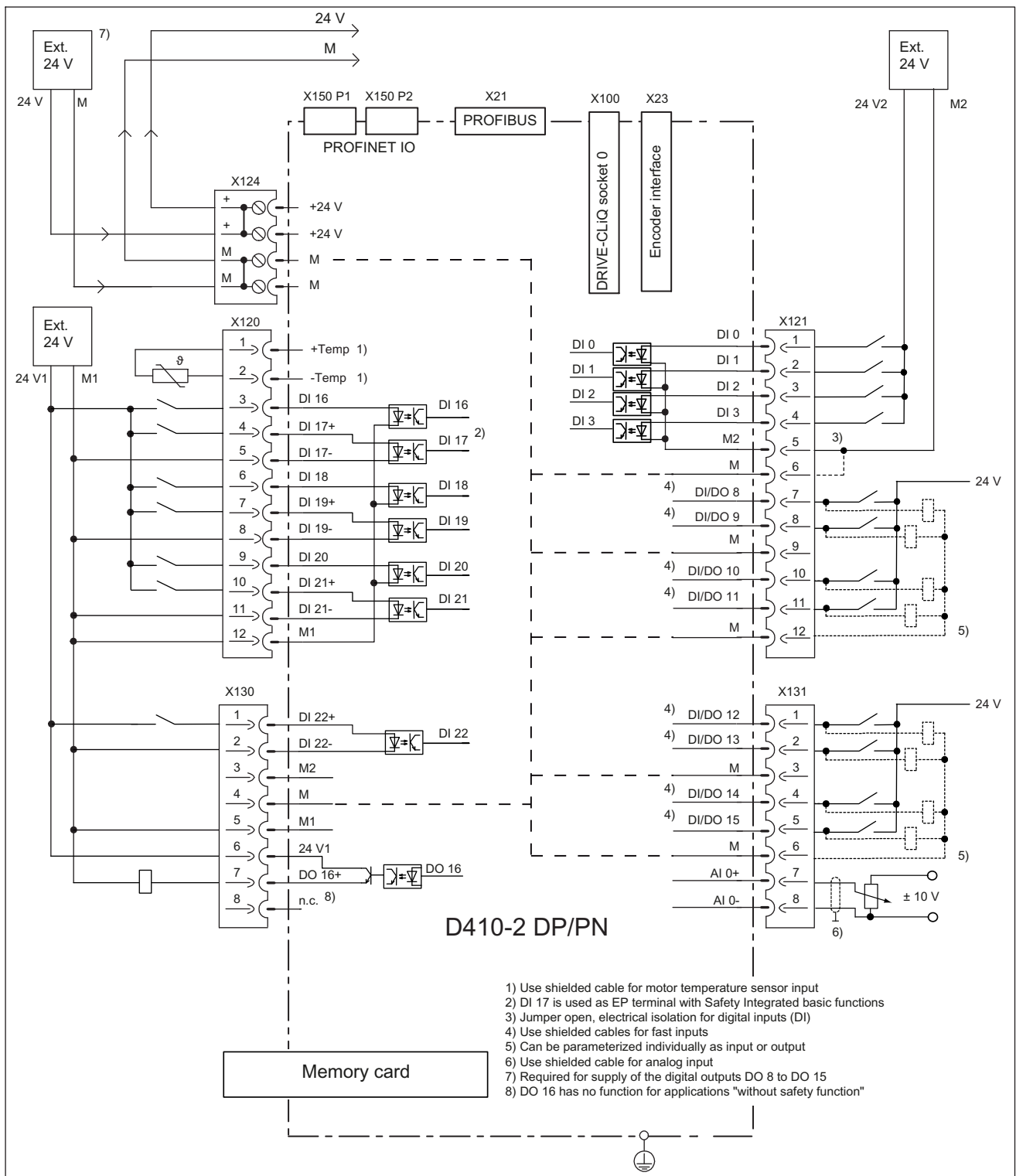


Figure 4-7 Connection example of SIMOTION D410-2 DP/PN without Safety Integrated Extended and Advanced Functions

Connection examples with Safety Integrated Extended and Advanced Functions

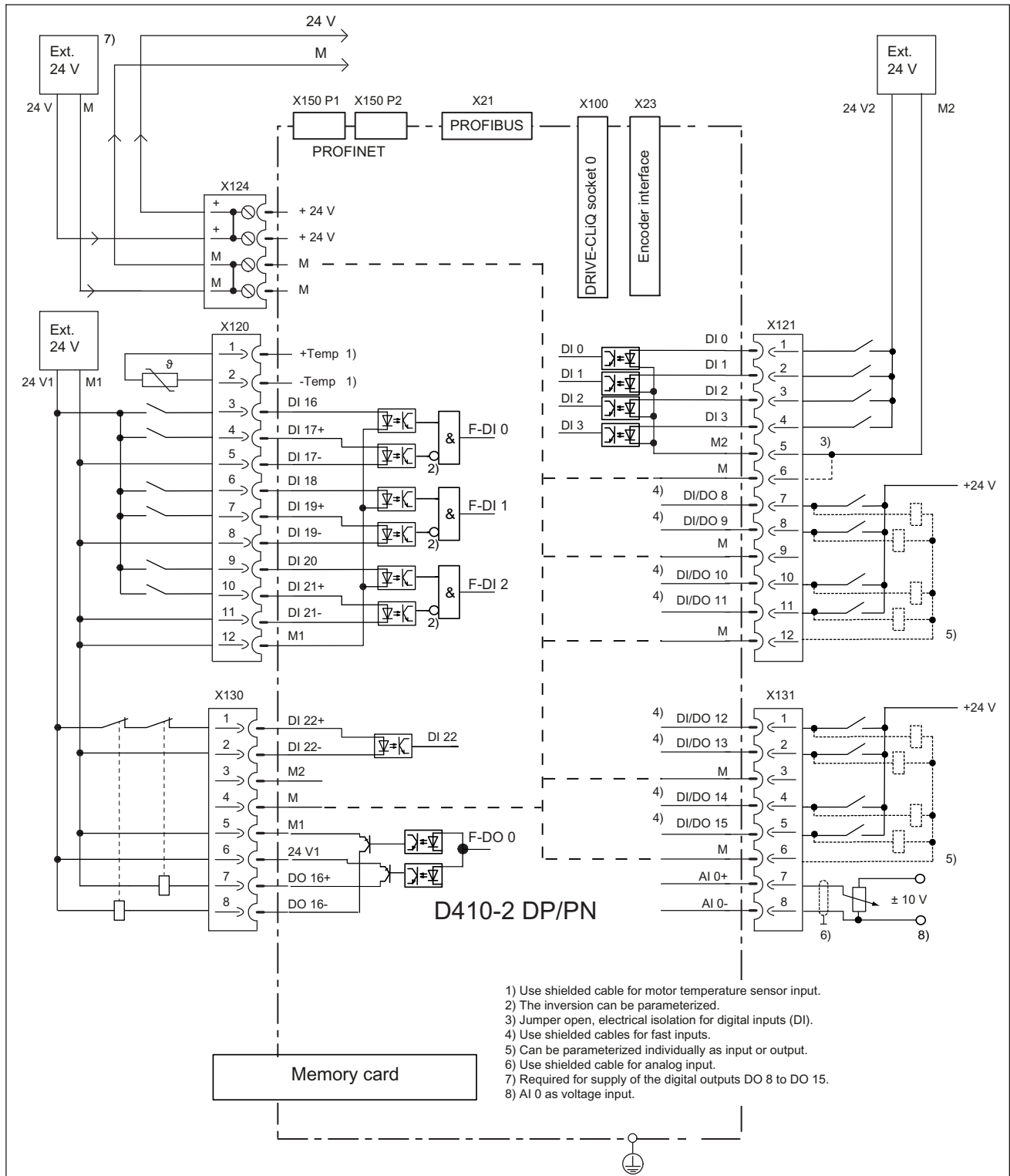


Figure 4-8 Connection example of SIMOTION D410-2 DP/PN with Safety Integrated Extended and Advanced Functions

4.7 Power supply

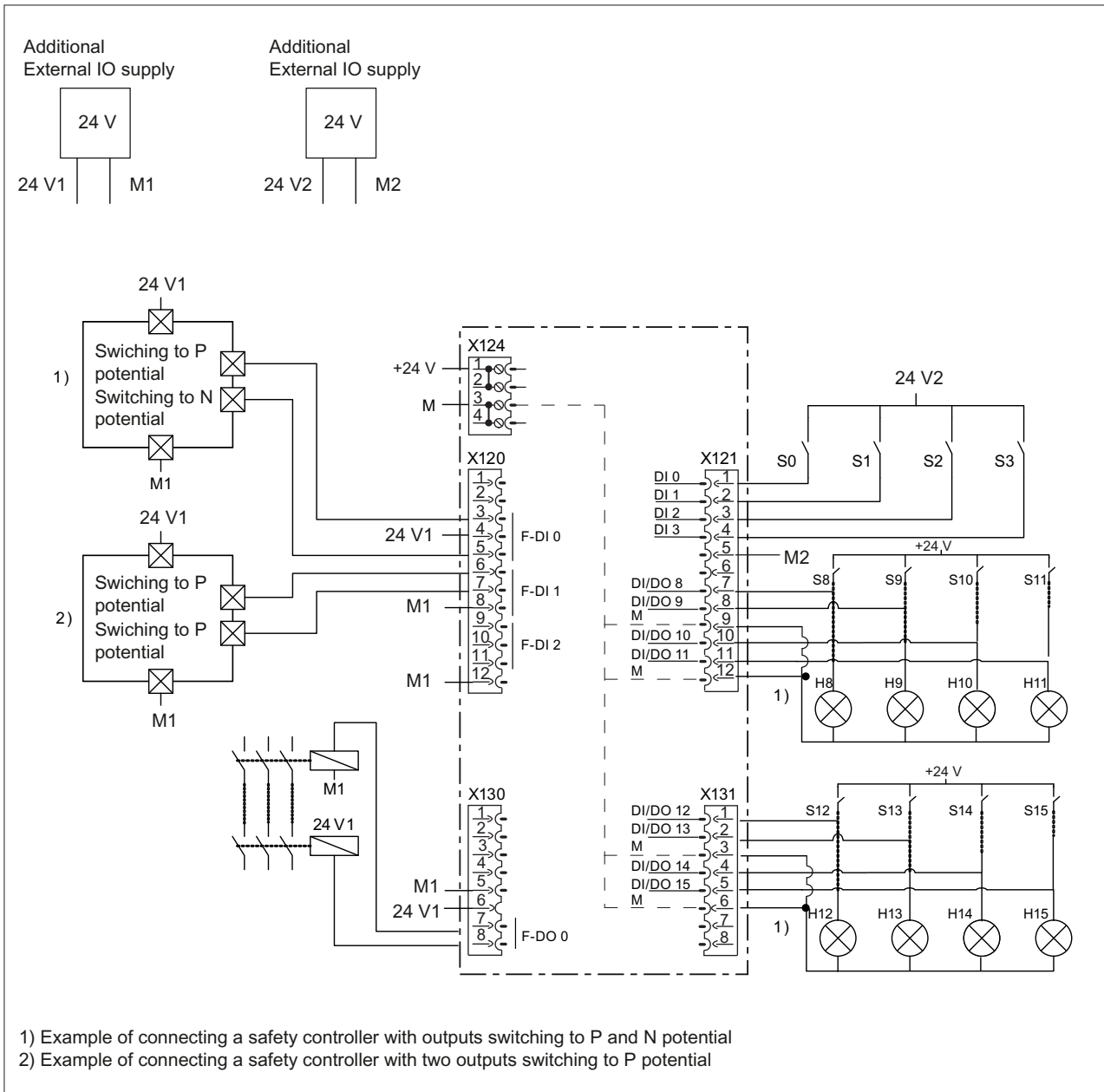


Figure 4-9 Example of circuits for the F-DI and F-DO with Safety Integrated Extended and Advanced Functions

4.7 Power supply

The X124 interface is provided for connection of the external power supply.

Note

When using external power supplies (e.g. SITOP), the ground potential must be connected with the protective ground terminal (PELV).

Note

Ground potential and housing (PE) are connected internally with low impedance.

Interface characteristics

Table 4-23 Interface X124

Features	Type
Connector type	4-way screw-type terminal
Connectable cable types and conductor cross-sections	
Rigid	0.2 mm ² ... 2.5 mm ²
Flexible	0.2 mm ² ... 2.5 mm ²
Flexible, with wire-end ferrule without plastic sleeve	0.2 mm ² ... 2.5 mm ²
Flexible, with wire-end ferrule with plastic sleeve	0.2 mm ² ... 1.5 mm ²
AWG / kcmil	22 ... 12
Stripped length	6 ... 7 mm
Tool	Screwdriver 0.5 x 3 mm (M2.5)
Tightening torque	0.4 to 0.5 Nm
Max. current carrying capacity, incl. loop-through	20 A (15 A per UL/CSA)
Max. cable length	10 m

Interface assignments

Table 4-24 Power supply X124

Representation	Terminal	Designation
	+	Electronic power supply
	+	Electronic power supply
	G	Electronic ground
	G	Electronic ground

Note

The power supply terminal strip must be screwed on tightly using a flat-bladed screwdriver.

Note

The 24 V is looped through via the 24 V connector. In this case, pin 1 is jumpered with pin 2, and pin 3 is jumpered with pin 4 in the connector. The maximum current can be limited through the current carrying capacity of the cable. The current carrying capacity of the cable depends, for example, on the type of cable installation (cable duct, laying on a cable rack, etc.).

4.8 Ethernet interface

Properties

SIMOTION D410-2 has an X127 interface for connection to Industrial Ethernet. Industrial Ethernet is a communication network with a transmission rate of 10/100 Mbit/s.

SIMOTION D410-2 offers the following functions via the Ethernet interface:

- PROFINET basic services (e.g. DCP, LLDP, SNMP)
Although these PROFINET basic services provide uniform functions for the address assignment and diagnostics, they do not provide PROFINET IO communication for the connection of drives or I/O modules, for example.
- Communication with STEP 7 and SIMOTION SCOUT
- Communication between SIMOTION and SIMATIC NET OPC
The "SIMATIC NET SOFTNET-S7 (S7-OPC server)" software must be installed on the PG/PC for this function.
- Connection of HMI systems
- Communication with other devices over TCP/IP or UDP communication
- IT communication (e.g. via SIMOTION IT OPC XML-DA)

For further information on the software packages, see the *SIMOTION PM 21* Catalog.

Interface characteristics

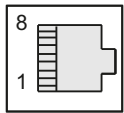
Table 4-25 X127 interface

Characteristic	Type
Connector type	RJ45 socket connector
Cable type	Industrial Ethernet cable
Maximum cable length	100 m

Characteristic	Type
Autocrossing	Yes, i.e. both crossed and uncrossed cables can be used
Blanking cover for Ethernet interface included in the scope of delivery; blanking cover (50 units), article number: 6SL3066-4CA00-0AA0	

Interface assignment

Table 4-26 X127 interface assignment

Representation	Pin	Signal name	Signal type	Meaning
	1	TXP	Output	Ethernet send differential signal
	2	TXN	Output	Ethernet send differential signal
	3	RXP	Input	Ethernet receive differential signal
	4	-	-	Reserved, do not use
	5	-	-	Reserved, do not use
	6	RXN	Input	Ethernet receive differential signal
	7	-	-	Reserved, do not use
	8	-	-	Reserved, do not use

Note

The MAC address is on a printed label visible from the front.

4.9 Measuring sockets

Properties

The T0 - T2 measuring sockets are used to output analog signals. Any interconnectable signal can be output via SINAMICS on every measuring socket on the control unit.

Note

The measuring sockets are suited for multiple-spring wire connectors with a diameter of 2 mm.

Interface characteristics

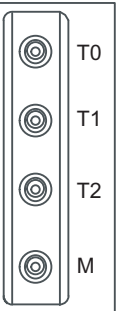
Table 4-27 T0, T1 and T2 interfaces

Characteristic	Type
Connector type	2 mm sockets
Voltage	0 V to 5 V

Characteristic	Type
Resolution	8-bit
Load current	max. 3 mA
Sustained short-circuit proof Reference potential is M terminal	

Interface assignment

Table 4-28 Interface assignments T0, T1 and T2

Representation	Pin	Designation
	T0	Measuring socket 0
	T1	Measuring socket 1
	T2	Measuring socket 2
	M	Ground

Note

The test sockets are provided as a support to commissioning and diagnostics; they must not be connected for normal operation.

4.10 Power Module Interface

SIMOTION D410-2 can be connected to a SINAMICS Power Module in blocksize format via the Power Module interface.

Power Modules PM340 and PM240-2 (PM240-2 as of SIMOTION V4.4/SINAMICS V4.7) can be used.

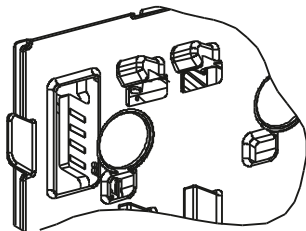


Figure 4-10 SIMOTION D410-2 interface to the Power Module interface (PM-IF)

Note

SIMOTION D410-2 can only be connected to a SINAMICS Power Module in blocksize format via the Power Module interface. A Power Module in chassis format must be connected via the DRIVE-CLiQ interface (see *SIMOTION D410-2* Commissioning and Hardware Installation Manual).

A SIMOTION D410-2 cannot be operated with SINAMICS G120 (PM2x0) Power Modules. Booksize Motor Modules can likewise not be connected.

Technical data

5.1 Shipping and storage conditions

The following conditions apply to modules that are shipped and stored in the original packaging.

Table 5-1 Shipping and storage conditions

Type of condition	Permissible range/class	
	Transport	Long-term storage
Climate class	2K4 according to EN 60721-3-2:1997	1K4 according to EN 60721-3-1:1997
Vibration and shock stressing (in transport packaging)	EN 60721-3-2:1997, class 2M3	EN 60721-3-1:1997, class 1M2
Permissible ambient temperature	-40° C ...+70° C	-25° C ...+55° C
Relative humidity	5 ... 95%	10 ... 100%
Height	Max. 4000 m above sea level	
Atmospheric pressure	620 hPa ... 1060 hPa The specified values apply to a transportation altitude of up to 4000 m.	620 hPa ... 1060 hPa The specified values apply to a storage altitude of up to 4000 m.
Biological environmental conditions	Class 2B1 according to EN 60721-3-2:1997	Class 1B1 according to EN 60721-3-1:1997
Chemically active environmental conditions	Class 2C2 according to EN 60721-3-2:1997	Class 1C2 according to EN 60721-3-1:1997

5.2 Ambient conditions

Conditions of use

SIMOTION D410-2 is designed for use in stationary, weather-protected locations.

SIMOTION D410-2 meets the conditions of use for Class 3C3 according to DIN EN 60721-3-3:1995 (operating locations with high traffic densities and in the immediate vicinity of industrial equipment with chemical emissions).

Use prohibition

Without additional measures, SIMOTION D410-2 must **not** be used in

- Locations with a high percentage of ionizing radiation
- Locations with extreme operating conditions, e.g.
 - Dust accumulation
 - Corrosive vapors or gases
- Installations requiring special monitoring such as:
 - Elevator installations
 - Electrical systems in particularly hazardous rooms

An additional measure for using SIMOTION D410-2 can, for example, be installation in cabinets.

Note

The components must be protected against conductive contamination, e.g. by installing them in a control cabinet with degree of protection IP54 according to IEC 60529 or NEMA 12.

If conductive contamination can be excluded at the installation site, a lower degree of cabinet protection may be permitted.

See Industrial security.

Ambient operating conditions for the operation

SIMOTION D410-2 can be used under the following ambient conditions:

Table 5-2 Environmental requirements

Ambient conditions	Fields of application	Remarks
Climatic ambient conditions		
Climate class	3K3	According to EN 60721-3:1995 Ambient conditions better than 3K3
Permissible ambient temperature	0 to +55° C, up to 2000 m above sea level	As of an altitude of 2000 m, the maximum ambient temperature decreases by 7° C every 1000 m increase in altitude.
Maximum installation altitude	2000 m to max. 4000 m above sea level	
Relative humidity	5 to 95%	
Condensation, icing, drip, spray and splash water	Not permissible	
Atmospheric pressure	620 to 1060 hPa	Corresponding height 4000 m - 0 m above sea level.
Mechanical ambient conditions		
Pollution degree	2 according to EN 60664-1:2008	
Biological ambient conditions:	Class 3B1 according to EN 60721-3-3:1995	Mold, mold growth, slime, rodents, termites and other animal vermin are not permissible

Ambient conditions	Fields of application	Remarks
Chemically active environmental conditions	Class 3C1 according to EN 60721-3-3:1995	
Mechanically active environmental conditions	Class 3S1 according to EN 60721-3-3:1995	Conductive dusts are not permitted.
Vibratory load - D410-2 - S120 (without SME/DME)	Vibratory load during operation according to EN 60721-3-3: Class 3M1	Test values according to EN 60068-2-6 (sinusoidal) <ul style="list-style-type: none"> • 10 ... 57 Hz: 0.075 mm deflection amplitude • 57 ... 150 Hz: 1 g acceleration amplitude • 10 frequency cycles per axis
Shock load - D410-2 - S120 (without SME/DME)	Shock load during operation according to EN 60721-3-3: Class 3M1	Test values according to EN 60068-2-27 (half-sinusoidal) <ul style="list-style-type: none"> • 5 g peak acceleration, 30 ms duration • 3 shocks in all three axes in both directions

Note

Observe the fields of application of the Power Modules along with their derating. Refer to *SINAMICS S120 for AC Drives* Manual.

Vibration reduction

If SIMOTION D410-2 is subjected to larger shocks or vibrations, you must use suitable measures to reduce the acceleration or the amplitude.

We recommend installation on shock-absorbing material (e.g. rubber-metal vibration dampers).

Other data

Condition	Field of application
Protection against the ingress of foreign matter and water	IP20 degree of protection according to EN 60529
Class of protection	Class 1 (with protective conductor system) and class 3 (PELV) according to EN 61800-5-1:2007

5.3 System data, connection values, dimensions and weight

General technical data

The SIMOTION D410-2 has an integrated fan.

Table 5-3 General technical data

Dimensions and weight	
Dimensions W x H x D	
D410-2 DP	73 x 186.8 x 74.4 mm
D410-2 DP/PN	73 x 190.7 x 74.4 mm
Weight	
• Without packaging	• 830 g
• With packaging	• 1,000 g
Electrical connection values	
Power supply	24 VDC (permissible range: 20.4 ... 28.8 V)
Ripple	Max. 5% at 24 VDC
Non-periodic overvoltage	Max. 35 VDC (Condition: Max. 500 ms, 50 s recovery time, max. 10 results/h)
Current consumption, typically ¹⁾	< 0.8 A
Starting current, typically ¹⁾	3.0 A
Power loss, typically ¹⁾	< 20 W

¹⁾ With no load on I/Os and no 24 V supply via DRIVE-CLiQ or PROFIBUS interface

Memory

Table 5-4 Technical data for memory

RAM (work memory)	120 MB (as of V5.3 SP1) 96 MB (V4.4 - V5.2 SP1) 48 MB (V4.3 SP1)
RAM disk (load memory)	60 MB (as of V5.3 SP1) 47 MB (V4.4 - V5.2 SP1) 31 MB (V4.3 SP1)
Retentive memory (retain variables)	At least 108 KB
Persistent memory (user data on CF card)	1 GB CF card: At least 300 MB
Work memory for Java applications	20 MB
Non-volatile data buffering buffer time, min.	Unlimited (maintenance-free backup)
Memory for system data	
Diagnostic buffer (non-volatile)	100 messages (SIMOTION) 100 messages (SINAMICS Integrated)

Note

The memory sizes may be increased for the current version after the time for going to press for the documentation. The latest values can be found at Internet address (<https://support.industry.siemens.com/cs/ww/en/view/18857317>)

CompactFlash card

Table 5-5 CF card

Memory capacity	1 GB (Article No. 6AU1400-1PA2*-0AA0)
Weight	10 g

Mounting plate

Table 5-6 Mounting plate data

Dimensions W x H x D	74.5 x 236 x 36.5 mm
Weight	
- Without packaging	380 g
- With packaging	450 g

Further technical data

For further technical data such as the max. number of online connections, HMI devices that can be used as well as a list of tasks available in the execution system, see the function overview in the *SIMOTION PM 21* Catalog.

5.4 Interfaces and performance features

5.4.1 PLC and motion control performance

Number of axes and clock cycles

Table 5-7 Maximum number of axes and minimum cycles for SIMOTION D410-2

PLC and motion control performance	
Maximum number of axes	8 axes ¹⁾
Minimum PROFIBUS cycle clock	0.5 ms PROFIBUS Integrated 1 ms PROFIBUS external

5.4 Interfaces and performance features

Minimum PROFINET send cycle clock (D410-2 DP/PN only)	0.25 ms
Minimum position control/interpolator cycle clock	0.5 ms (1 ms when using the TO axis and the integrated drive control)

1) Path interpolation is supported as of V4.4.

Integrated drive control

Table 5-8 Controls for integrated drives

Max. number of axes for integrated drive control (servo/vector/V/f)	1 / 1 / 1 (alternative) Drive control based on SINAMICS S120 CU310-2, firmware version V4.x/V5.x
---	---

5.4.2 Communication

Interfaces

Table 5-9 Interfaces

DRIVE-CLiQ interface	1
Ethernet interface	1
PROFIBUS interface	1 (D410-2 DP/PN) 2 (D410-2 DP) <ul style="list-style-type: none"> • Isochronous • Can be configured as master or slave
PROFINET interface	One interface with two ports (D410-2 DP/PN only) <ul style="list-style-type: none"> • Supports PROFINET IO with IRT and RT • Can be configured as PROFINET IO controller and/or device

Address space

Table 5-10 Address space

Logical I/O address space of the Control Unit	16 KB (as of V4.5) 8 KB (up to V4.4)
Physical I/O address space for each interface, one each for inputs and outputs	
PROFIBUS Integrated	4 KB
PROFIBUS	1 KB

	PROFINET (D410-2 DP/PN only)	6 KB (as of V4.5) 4 KB (up to V4.4)
Permanent process image for BackgroundTask (I/O variables)		64 bytes
Additional configurable process image for each cyclic task (I/O variables)		yes
Address space for each PROFIBUS DP station		244 Byte
SINAMICS Integrated (PROFIBUS Integrated) address space		512 Byte
Address space for each PROFINET device		1400 Byte
Maximum consistency range Onboard PROFINET interface X150		
	For controller-controller direct data exchange	254 bytes
	For I-device	1024 bytes (as of V4.4) 254 bytes (< V4.4)

Logical address space: Logical addresses can be assigned in STEP 7 within this space.

Physical address space: Address space with assigned data.

The address space contains all the logical addresses, i.e. also diagnostic addresses, I-device, etc.

Number of slaves/devices

Table 5-11 Number of slaves/devices

Maximum number of slaves per PROFIBUS interface	64
Maximum number of devices for PROFINET	64

5.4.3 Onboard I/Os

Digital inputs

Table 5-12 Technical data for digital inputs

Number of inputs	5
Input voltage	
<ul style="list-style-type: none"> • Rated value • For signal "1" • For signal "0" ²⁾ 	<ul style="list-style-type: none"> • 24 VDC • 15 ... 30 V • -3 ... +5 V
Electrical isolation ¹⁾	Yes (via optocoupler)

Current consumption typical at 1 signal level	3.5 mA at 24 V 5 mA at 24 V ³⁾
Input delay, typical (hardware) • Signal "0" → "1" • Signal "1" → "0"	• 50 µs • 150 µs
Permissible quiescent current	2 mA
Protection	Protected against polarity reversal

- 1) Reference potential for DI 0 ... DI 3 is terminal M2 (X121, X130), reference potential for DI 22+ is terminal DI 22- (X130)
- 2) The digital inputs are protected against polarity reversal up to -30 V
- 3) Up to and including hardware version "C" for D410-2 DP or "B" for D410-2 DP/PN

Digital inputs/outputs

Table 5-13 Technical data regarding the digital inputs/outputs with adjustable parameters

Number of digital inputs/outputs	8 • Max. 8 as measuring input inputs • Max. 8 as cam outputs
If used as an input	
Input voltage • Rated value • For signal "1" • For signal "0" ²⁾	• 24 VDC • 15 ... 30 V • -3 V ... +5 V
Galvanic isolation	No
Current consumption typical at 1 signal level	3.5 mA at 24 V 5 mA at 24 V ³⁾
Input delay, typ. (hardware): • Signal "0" → "1" • Signal "1" → "0"	• 5 µs • 50 µs
Measuring input input, resolution	1 µs
Measuring input input, reproducibility	Typ. 5 µs
If used as an output	
Rated load voltage, permissible range	24 VDC, 20.4 ... 28.8 V
Galvanic isolation	No
Current load, max.	500 mA per output
Residual current, max.	2 mA
Output delay time, typ./max. (hardware) ¹⁾ • Signal "0" → "1" • Signal "1" → "0"	• 150 µs / 400 µs • 75 µs / 100 µs
Output cam output, resolution	Typ. 125 µs
Output cam output, reproducibility	Typ. 125 µs

Switching frequency of the outputs, max.	
<ul style="list-style-type: none"> • With resistive load • With inductive load • With lamp load (max. 5 W) 	<ul style="list-style-type: none"> • 4 kHz • 0.5 Hz • 10 Hz
Protection	Short circuit, ground fault and overload proof Automatic restart after overload tripping

- 1) Data for: $V_{cc} = 24\text{ V}$; load $48\ \Omega$; high ("1") = 90% V_{out} ; low ("0") = 10% V_{out}
- 2) The digital inputs are protected against polarity reversal up to -30 V
- 3) Up to and including hardware version "C" for D410-2 DP or "B" for D410-2 DP/PN

Max. switching frequency D410-2

The max. switching frequency of the hardware depends on the load and is up to 4 kHz for an ohmic load of 0.5 A (typical value; low-high ratio = 50:50; short cable lengths).

Logic control of the digital output is also a limiting factor.

- If a DO 8...15 is set or reset via the TO cam/TO cam track, up to 2 edges are possible per servo cycle
→ with servo cycles of at least 500 μs , a max. switching frequency of 2 kHz is achieved
- if a DO 8...15 is set or reset from the user program, no more than 1 edge per servo cycle is possible.
→ with servo cycles of at least 500 μs , a max. switching frequency of 1 kHz is achieved

The max. achievable switching frequency can also be limited by the CU parameter p0799[0] (sampling time of the inputs/outputs of the CU) or p2048 (PROFIdrive PZD sampling time).

Reproducibility

The reproducibility at the measuring input depends on the edge steepness of the measurement signal.

Generally, the following is valid: The steeper the edges of the input signal are, the easier it is to reproduce the measurement results.

Sloping signals are achieved by switching the signal level to "active". This is typically with rising edges as the signal here is "actively" switched to HIGH by the digital output (example: Output of a TM17 module: Rising edge).

Falling edges typically have less edge steepness (signal level that falls slowly), as the signal level is "not actively" forced to LOW (example: Output of a TM17 module: Falling edge).

Recommendation: Where the connected components do not have special output drivers, the recommendation is to use the rising edges for measurements.

Fail-safe digital inputs/outputs

Table 5-14 Technical data for fail-safe digital inputs (F-DI)

Number of inputs	3 F-DI (or as 6 DI)
Input voltage <ul style="list-style-type: none"> • Rated value • For signal "1" • For signal "0" ¹⁾ 	<ul style="list-style-type: none"> • 24 VDC • 15 ... 30 V • -3 ... +5 V
Electrical isolation ²⁾	Yes (via optocoupler)
Current consumption typical at 1 signal level	3.5 mA at 24 V 5 mA at 24 V ³⁾
Input delay, typical (hardware) <ul style="list-style-type: none"> • Signal "0" → "1" • Signal "1" → "0" 	<ul style="list-style-type: none"> • 50 µs • 150 µs
Protection	Short circuit, ground fault and overload proof

1) The digital inputs are protected against polarity reversal up to -30 V

2) Reference potential for DI 16, DI 18, DI 20 and DO 16 is terminal M1 (X120, X130)

3) Up to and including hardware version "C" for D410-2 DP or "B" for D410-2 DP/PN

Table 5-15 Technical data for fail-safe digital output (F-DO)

Number of outputs	1 F-DO (or as 1 DO)
Rated load voltage, permissible range	24 VDC, 20.4 ... 28.8 V
Electrical isolation	Yes (via optocoupler)
Current load, max.	500 mA
Residual current, max.	2 mA
Output delay time, typ./max. (hardware) ¹⁾ <ul style="list-style-type: none"> • Signal "0" → "1" • Signal "1" → "0" 	<ul style="list-style-type: none"> • 150 µs / 400 µs • 75 µs / 100 µs
Permissible quiescent current	2 mA
Protection	Short circuit, ground fault and overload proof Automatic restart after overload tripping

1) Data for: $V_{cc} = 24\text{ V}$; load $48\ \Omega$; high ("1") = 90% V_{out} ; low ("0") = 10% V_{out}

Analog input

Table 5-16 Technical data for the analog input

Number of inputs	1
Galvanic isolation	No
Common-mode range	-12 ... +12 V

Integration time / conversion time (per channel) <ul style="list-style-type: none"> Parameters can be assigned Integration time 	Yes $\geq 62.5 \mu\text{s}$
Operational limit (across temperature range, in relation to the end value of the measuring range in the input range) <ul style="list-style-type: none"> Voltage input Current input 	$\pm 0.65\%$ $\pm 1.1\%$
Basic error limit (operational limit at 25° C, in relation to the end value of the measuring range in the input range) <ul style="list-style-type: none"> Voltage input Current input 	$\pm 0.5\%$ $\pm 0.5\%$
Linearity error (with reference to the input range)	$\pm 0.05\%$
Repeatability (in steady state at 25° C, with reference to input range)	$\pm 0.05\%$
When used as analog voltage input	
Input voltage range	-10 ... +10 V
Resolution	12-bit + sign (based on $\pm 11 \text{ V}$) ¹⁾
Input resistance (R _i)	> 100 k Ω
Temperature error (with reference to the input range)	$\pm 0.005\%$
When used as analog current input	
Input current range	-20 ... +20 mA
Resolution	11-bit + sign (based on $\pm 22 \text{ mA}$) ¹⁾
Input resistance (R _i)	250 Ω
Temperature error (with reference to the input range)	$\pm 0.02\%$
¹⁾ The maximum controllable area is approx. $\pm 11 \text{ V}$ or $\pm 44 \text{ mA}$ The resolution refers to the specified area (irrespective of the engineering settings).	

5.4.4 Onboard encoder interface

Table 5-17 Technical data of the encoder interface

Encoder interface	<ul style="list-style-type: none"> TTL or HTL incremental encoders (with adjustable parameters) Absolute encoder
Power supply	24 VDC / 0.35 A or 5 VDC / 0.35 A Short-circuit and overload proof
Limit frequency	500 kHz
SSI baud rate	100 ... 1000 kBaud

5.4 Interfaces and performance features

Resolution absolute position SSI	30 bit
Max. cable lengths	
<ul style="list-style-type: none"> • For TTL incremental encoder • For HTL incremental encoder • For SSI absolute encoder 	<ul style="list-style-type: none"> • 100 m (bipolar signals only) ^{1), 3)} • 100 m (for unipolar signals) • 300 m (for bipolar signals) ^{1), 2)} • 100 m (depending on the baud rate) ⁴⁾

- 1) Signal lines twisted in pairs and shielded.
Because the transmission technology is more robust, the bipolar connection should always be used. The unipolar connection should only be used if the encoder type does not output push-pull signals.
- 2) As of a cable length of 200 m, use a power supply cable with a cable cross-section $\geq 0.75 \text{ mm}^2$!
- 3) 100 m with remote sense
- 4) For the cable length, see the diagram "Maximum cable lengths depending on the SSI baud rate for SSI encoders"

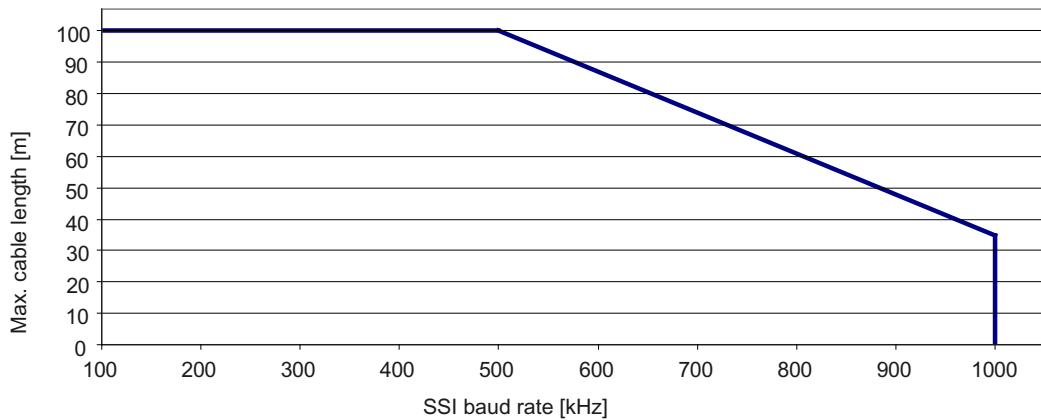


Figure 5-1 Maximum cable length depending on the SSI baud rate for SSI encoders

Note

The CUA32 control unit adapter also provides an encoder interface for an HTL, TTL or SSI encoder.

The technical data of the CUA32 adapter module can be found in the *SINAMICS S120 AC Drive Manual*.

5.5 Clock

Properties of the real-time clock

The table below contains the features and functions of the Control Unit clock.

Table 5-18 Clock properties

Properties	Meaning
Type	Hardware clock (integrated "real-time clock")
Default setting when delivered	DT#1992-01-01-00:00:00
Maximum deviation per day for supply voltage switched on and switched off at 0° to 55° C	±5 s
Backup time	At least 5 days (at 0 to 55° C)
Charging time	1 h

With power OFF

The Control Unit clock continues to operate with the POWER OFF for the duration of the battery backup time (excluding software clock). The buffer is recharged in the POWER ON state. If the real-time clock backup time is exceeded, the time is reset. If the SIMOTION D410-2 is reset to its factory settings, the clock is also reset to the "default setting when delivered".

5.6 Certificates, approvals, declarations of conformity

You can find an overview of the certifications available for the SIMOTION D410-2 in Appendix A (Page 107).

You can also find further information on the Internet at:

<https://support.industry.siemens.com/cs/ww/en/ps/14513/cert>

Dimension drawings

6.1 SIMOTION D410-2 DP dimension drawing

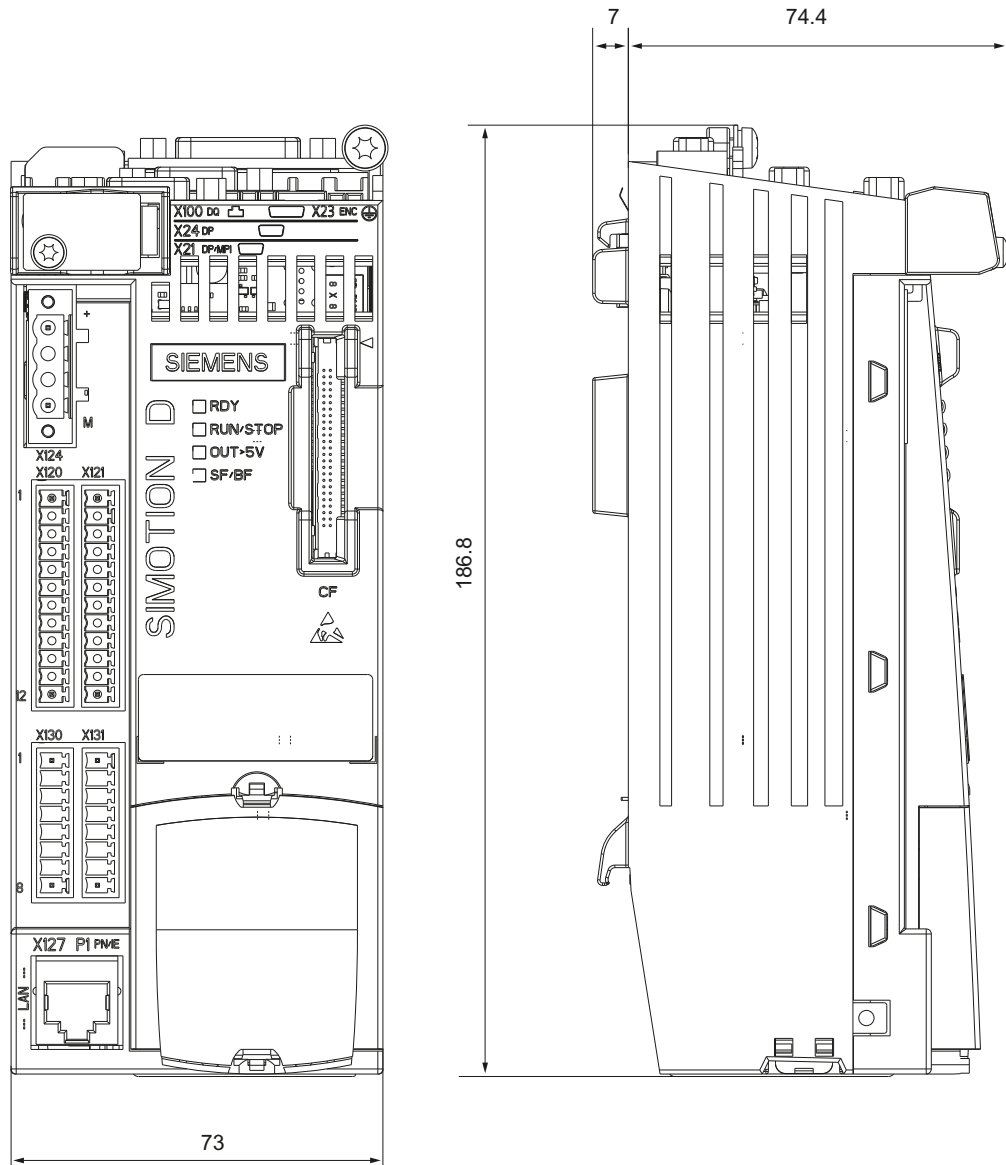


Figure 6-1 SIMOTION D410-2 DP dimension drawing (dimensions in mm)

Note

Overheating if ventilation clearances are too small

Insufficient ventilation clearances result in overheating and therefore in more failures and a shortened service life of the component.

Maintain 50 mm ventilation clearances above and below the component.

6.2 SIMOTION D410-2 DP/PN dimension drawing

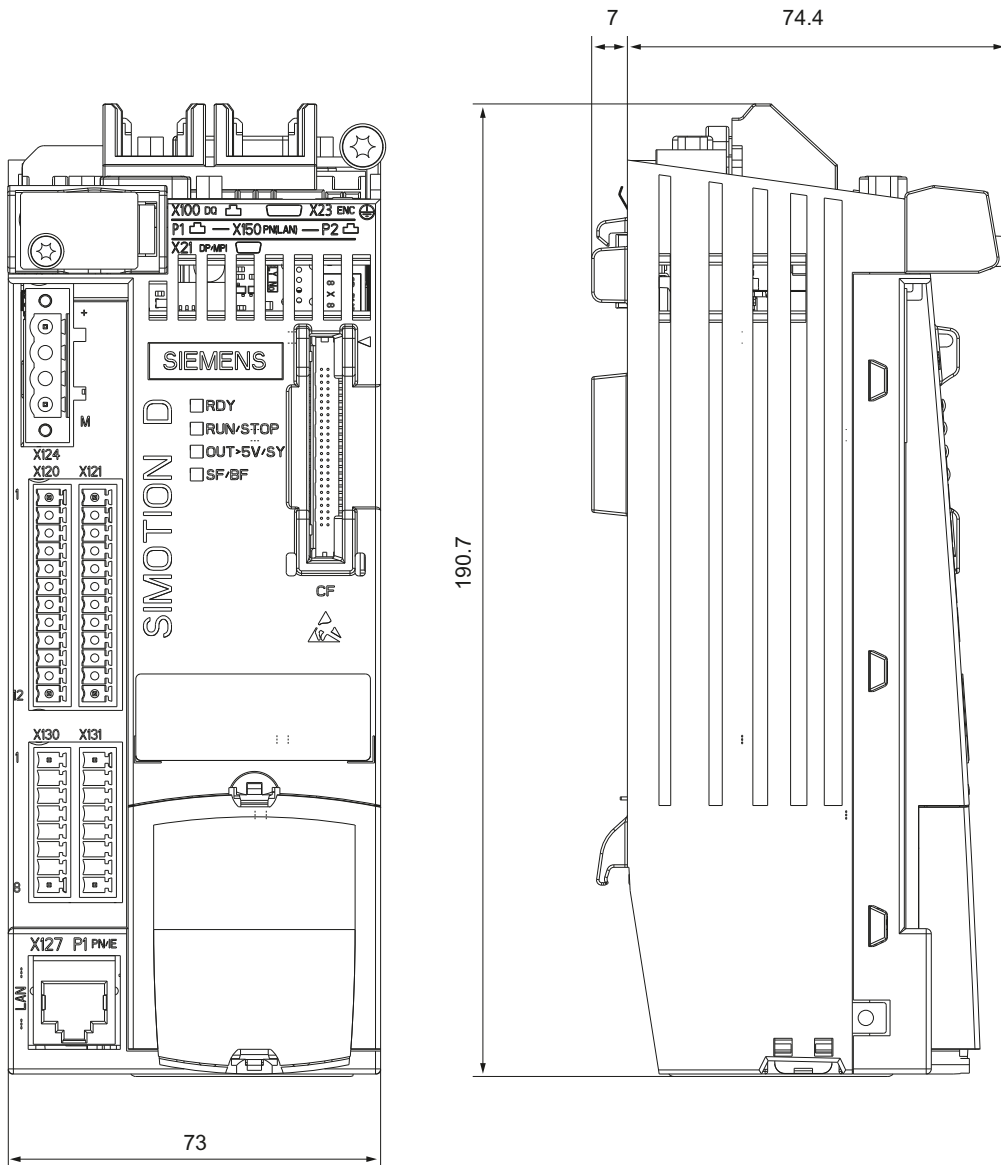


Figure 6-2 SIMOTION D410-2 DP/PN dimension drawing (dimensions in mm)

Note

Overheating if ventilation clearances are too small

Insufficient ventilation clearances result in overheating and therefore in more failures and a shortened service life of the component.

Maintain 50 mm ventilation clearances above and below the component.

6.3 Mounting plate dimension drawing

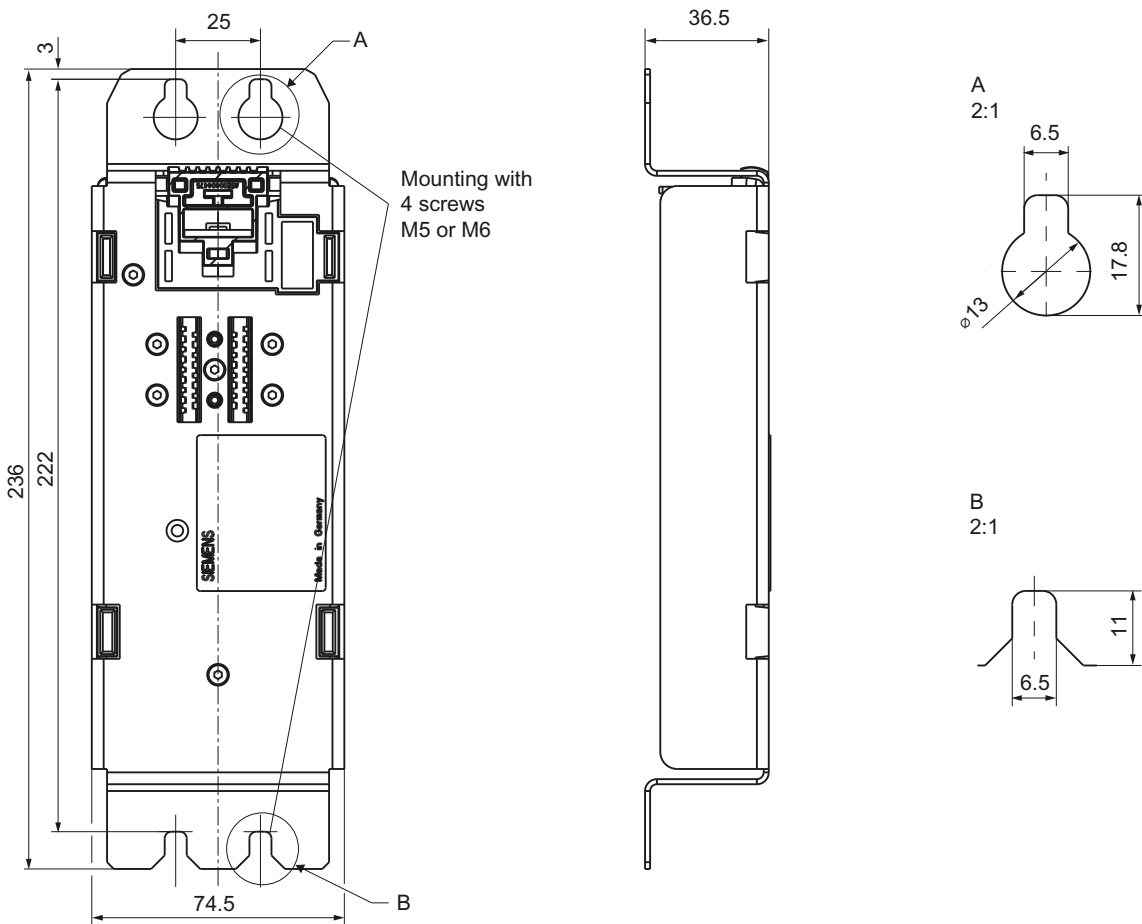


Figure 6-3 Mounting plate dimension drawing (dimensions in mm)

6.4 CAD data, dimension drawings, and circuit-diagram macros

Dimension drawings and CAD data

Dimension drawings, as well as 2D and 3D CAD data can be found:

- In the CAD Creator at the following Internet address (<https://support.industry.siemens.com/cs/ww/en/view/30559271>).
- In the DT Configurator of the Industry Mall (<http://www.siemens.com/dt-configurator>).
- Via CAx Download Manager (<https://support.industry.siemens.com/my/ww/en/CAxOnline#CAxOnline>).

Circuit-diagram macros

EPLAN circuit-diagram macros are available for the SIMOTION D410-2. The macros assist you when creating circuit diagrams.

The EPLAN circuit diagram macros can be ordered at the following Internet addresses:

- Drive Technology Configurator Industry Mall (<http://www.siemens.com/dt-configurator>)
- CAx Download Manager (<https://support.industry.siemens.com/my/ww/en/CAxOnline#CAxOnline>)
- Product support Support (<https://support.industry.siemens.com/cs/ww/en/view/31622426>)

Spare parts / accessories

7.1 Available spare parts and accessories

Table 7-1 Spare parts and accessories

Parts for SIMOTION D410-2	Article number	Accessories	Spare part
1 GB CompactFlash card (CF card) (latest CF card at the time for going to press)	6AU1400-1PA23-0AA0	X	-
Blanking cover for the protection of the operator controls	6SL3064-3BB00-0AA0	-	X
Backplane mounting plate for remote operation	6AU1400-7AA05-0AA0	X	-
CU310-2/D410-2 terminal kit contains: <ul style="list-style-type: none"> 4 x I/O connectors for X120/X121, X130/X131 1 x 24 V connector for X124 3 x blanking covers for DRIVE-CLiQ/PROFINET 1 x shield connection terminal incl. screw 	6SL3064-8LA01-0AA0	-	X
Dust protection filler plugs for sealing unused DRIVE-CLiQ, PROFINET and Ethernet ports Filler plugs (50 pcs)	6SL3066-4CA00-0AA0	X	X
Fan	6SL3064-1AC00-0AA0	-	X
Plug connector for PROFIBUS interface up to 12 Mbit/s, 90° cable outlet:			
Without PG socket without FastConnect insulation displacement	6ES7972-0BA12-0XA0	X	-
Without PG socket with FastConnect insulation displacement	6ES7972-0BA52-0XA0	X	-
With PG socket without FastConnect insulation displacement	6ES7972-0BB12-0XA0	X	-
With PG socket with FastConnect insulation displacement	6ES7972-0BB52-0XA0	X	-
Plug connector for PROFIBUS interface up to 12 Mbit/s, 35° angular cable outlet:			
Without PG socket without FastConnect insulation displacement	6ES7972-0BA42-0XA0	X	-
Without PG socket with FastConnect insulation displacement	6ES7972-0BA60-0XA0	X	-
With PG socket without FastConnect insulation displacement	6ES7972-0BB42-0XA0	X	-
With PG socket with FastConnect insulation displacement	6ES7972-0BB60-0XA0	X	-
Plug connector for PROFIBUS interface up to 12 Mbit/s, 180° axial cable outlet:			
Without PG socket without FastConnect insulation displacement	6GK1500-0EA02	X	-
Without PG socket with FastConnect insulation displacement	6GK1500-0FC10	X	-
Plug connector for Industrial Ethernet / PROFINET, 180° cable outlet:			
RJ45 plug connector, IE FC RJ45 Plug 180 <ul style="list-style-type: none"> 1 unit package 10 unit package 50 unit package 	6GK1901-1BB10-2AA0 6GK1901-1BB10-2AB0 6GK1901-1BB10-2AE0	X	-
Plug connector for Industrial Ethernet / PROFINET, 145° cable outlet:			

Parts for SIMOTION D410-2	Article number	Accessories	Spare part
RJ45 plug connector, IE FC RJ45 Plug 145		X	-
<ul style="list-style-type: none"> • 1 unit package • 10 unit package • 50 unit package 	6GK1901-1BB30-0AA0 6GK1901-1BB30-0AB0 6GK1901-1BB30-0AE0		
FastConnect cables for Industrial Ethernet / PROFINET			
IE FC standard cable GP 2x2	6XV1840-2AH10	X	-
IE FC flexible cable GP 2x2	6XV1870-2B	X	-
IE FC trailing cable GP 2x2	6XV1870-2D	X	-
IE FC trailing cable 2x2	6XV1840-3AH10	X	-
IE FC marine cable 2x2	6XV1840-4AH10	X	-
Stripping tool for Industrial Ethernet / PROFINET Fast Connect cables			
IE FC stripping tool	6GK1901-1GA00	X	-

Reference

You can find order data information for other SINAMICS drive components, such as Line Modules, Motor Modules, DRIVE-CLiQ cables, etc. in Catalog *SIMOTION PM 21*.

Note

The procedure for replacing the SIMOTION D410-2 fan is described in the *SIMOTION D410-2 Commissioning and Hardware Installation Manual*.

Spares On Web

Spares On Web is an information system that enables you to find out which spare parts are available for your device. For information, visit the following Internet address (<https://www.sow.siemens.com>).

In order to view the spare parts, you require the article number and the serial number of the module.

Both numbers can be found on the rating plate on the module or the packaging label.

7.2 TM31 terminal module

Characteristics

The TM31 Terminal Module allows you to expand the number of available digital I/Os as well as the number of analog I/Os within a drive system. The TM31 is connected via DRIVE-CLiQ. It has 2 DRIVE-CLiQ interfaces for this.

Interfaces

The TM31 contains the following terminals:

Table 7-2 Interface overview of the TM31

Interface	Quantity
Digital inputs	8
Bidirectional inputs/outputs	4
Relay outputs with changeover contact	2
Analog inputs	2
Analog outputs	2
Temperature sensor input (KTY84-130 or PTC)	1

NOTICE

Overheating if ventilation clearances are too small

Insufficient ventilation clearances result in overheating and therefore in more failures and a shortened life of the component.

Maintain 50 mm ventilation clearances above and below the component.

Additional references

For further information on the TM31 Terminal Module, see the *SIMOTION D410-2* Commissioning and Hardware Installation Manual.

7.3 TM41 terminal module

Characteristics

The TM41 Terminal Module can be used to expand the number of digital I/Os and analog inputs within a drive system. In addition, it enables the use of the TTL output for encoder simulation. The TM41 is connected via DRIVE-CLiQ.

Interfaces

The TM41 contains the following terminals:

Table 7-3 TM41 interface overview

Type	Quantity
Digital inputs	4
Digital I/Os	4

Type	Quantity
Analog inputs	1
TTL encoder output	1

NOTICE**Overheating if ventilation clearances are too small**

Insufficient ventilation clearances result in overheating and therefore in more failures and a shortened life of the component.

Maintain 50 mm ventilation clearances above and below the component.

Additional references

For further information on the TM41 Terminal Module, see the *SIMOTION D410-2* Commissioning and Hardware Installation Manual.

7.4 TM54F terminal module**Characteristics**

The TM54F Terminal Module is a terminal expansion module for snapping on to a DIN EN 60715 mounting rail. The TM54F offers safe digital inputs and outputs for control of Safety Integrated functions of SINAMICS.

A SIMOTION D410-2 can be assigned exactly one TM54F which is connected via DRIVE-CLiQ.

The TM54F Terminal Module is an alternative to using Safety Integrated functions via the onboard terminals (F-DI, F-DO) or via PROFIsafe.

Interfaces

Table 7-4 The following terminals are located on the TM54F:

Type	Quantity
Fail-safe digital outputs (F-DO) ¹⁾	4
Fail-safe digital inputs (F-DI) ²⁾	10
Sensor power supplies, can be made dynamic ^{3), 4)}	2

Type	Quantity
Sensor power supply, cannot be made dynamic ³⁾	1
Digital inputs for testing the F-DO during test stop	4

- 1) A fail-safe digital output consists of a P/M-switching output as well as a digital input for reading back the switching state.
- 2) A fail-safe digital input consists of two digital inputs.
- 3) Sensors: Fail-safe devices for commanding and detecting, such as emergency stop pushbuttons and safety locks as well as position switches and light arrays / light curtains.
- 4) Dynamic response: The sensor power supply is switched on and off during test stop for testing the sensors, the cable routing, and the evaluation electronics of TM54F.

NOTICE

Overheating if ventilation clearances are too small

Insufficient ventilation clearances result in overheating and therefore in more failures and a shortened life of the component.

Maintain 50 mm ventilation clearances above and below the component.

Additional references

You find detailed information on the TM54F Terminal Module in the *SINAMICS S120 Safety Integrated* Function Manual.

See also

DRIVE-CLiQ interface (Page 48)

7.5 TM15 and TM17 High Feature terminal modules

Characteristics

The TM15 and TM17 High Feature Terminal Modules are used to implement inputs of measuring inputs and outputs of output cams for SIMOTION D. In addition, these Terminal Modules provide drive-related digital I/Os with short signal delay times. TM15 and TM17 High Feature are connected by means of DRIVE-CLiQ.

TM15

Each of the 24 electrically isolated digital I/Os can be parameterized channel-by-channel as a digital input (DI), digital output (DO), a measuring input input, or an output cam output.

TM15 DI/DO

Each of the 24 isolated digital I/Os can be configured on a channel-specific basis as a digital input (DI) or digital output (DO). The digital I/Os can be interconnected using BICO technology and thus used from the drive side as well. Unlike the TM15, measuring input inputs and cam outputs are not available with the TM15 DI/DO.

Note

The module hardware for TM15 and TM15 DI/DO is identical. A distinction is only made by the addition of the component in the SIMOTION SCOUT project navigator using "Inserting I/O component".

TM17 High Feature (only available as spare part)

Each of the 16 digital I/Os can be parameterized channel-by-channel as a digital input (DI), digital output (DO), measuring input input, or an output cam output.

TM17 High Feature has fewer I/O channels than TM15, but more functionality. TM17 High Feature is distinguished by especially high resolution and accuracy as well as a configurable input filter and enabling inputs (max. 6 units). Parameterized enable inputs can enable measuring inputs or outputs of output cams (gate function). Due to their high accuracy, the digital I/O channels of the TM17 High Feature are non-isolated.

NOTICE
Overheating if ventilation clearances are too small
Insufficient ventilation clearances result in overheating and therefore in more failures and a shortened life of the component.
Maintain 50 mm ventilation clearances above and below the component.

Additional references

Detailed information about the TM15 and TM17 High Feature can be found in the *SIMOTION Terminal Modules TM15 / TM17 High Feature* Commissioning Manual.

7.6 CUA31/CUA32 control unit adapter

Properties

You can connect a Power Module in blocksize format to the DRIVE-CLiQ interface using the CUA31 adapter module. The CUA32 adapter module also provides an encoder interface for an HTL, TTL or SSI encoder.

Interfaces

Table 7-5 Overview of the interfaces for the adapter modules

Interface	CUA31 ¹⁾	CUA32
DRIVE-CLiQ interface	3	3
EP terminals/temperature sensor connection	1	1
Power Module Interface (PM-IF)	1	1
24 V electronic power supply	1	1
Encoder interface (HTL, TTL, SSI) Only SSI encoders without incremental tracks may be operated.	0	1
Maximum DRIVE-CLiQ cable length	100 m	100 m

¹⁾ CUA31 with article number 6SL3040-0PA00-0AAx (x ≥ 1 required)

NOTICE

Overheating if ventilation clearances are too small

Insufficient ventilation clearances result in overheating and therefore in more failures and a shortened life of the component.

Maintain 50 mm ventilation clearances above and below the component.

Additional references

You will find more information on the CUA31/CUA32 Control Unit Adapter in the *SINAMICS S120 AC Drive Manual*.

7.7 DMC20/DME20 DRIVE-CLiQ hub

Characteristics

The DMC20 and DME20 DRIVE-CLiQ hub modules are used to implement point-to-point distribution of a DRIVE-CLiQ line.

- DMC20 is the hub for the control cabinet configuration
- DME20 is the hub for use without a control cabinet (IP67 degree of protection).

The modules are particularly well suited to applications that require DRIVE-CLiQ link nodes to be removed in groups without interrupting the DRIVE-CLiQ link and therefore the data exchange.

The DMC20/DME20 is also used with a SIMOTION D410-2 when a second encoder is required. As an SMx Sensor Module and a motor with DRIVE-CLiQ interface only have one DRIVE-CLiQ interface, a DMC20/DME20 must be used for a second encoder via DRIVE-CLiQ.

If a CUA31/CUA32 is used, the DMC20/DME20 is not required. Alternatively, a second encoder can also be connected via the X23 interface on the SIMOTION D410-2.

NOTICE

Overheating if ventilation clearances are too small

Insufficient ventilation clearances result in overheating and therefore in more failures and a shortened life of the component.

Maintain 50 mm ventilation clearances above and below the component. The ventilation openings may not be covered by connecting cables.


Additional references

You will find detailed information about the DMC20/DME20 in the *SINAMICS S120 Control Units and Additional System Components Manual*.

Standards and approvals

A.1 General rules

CE marking


	<p>Our products satisfy the requirements and protection objectives of the EC Directives and comply with the harmonized European standards (EN).</p>
---	---

Electromagnetic compatibility

Standards for EMC are satisfied if the EMC Installation Guideline is observed.


SIMOTION products are designed for industrial use in accordance with product standard DIN EN 61800-3, Category C2.

cULus approval

	<p>Listed component mark for United States and the Canada Underwriters Laboratories (UL) according to Standard UL 508, File E164110, File E115352, File E85972.</p>
---	---

You can find further information on the respective device on the Internet at <http://database.ul.com/cgi-bin/XYV/template/LISEXT/1FRAME/index.htm> Enter the first seven characters of the article number at **Keyword**. Then click **Search**.



Korea certification

	<p>KC registration number: KCC-REM-S49-SIMOTION Note that this device complies with limit class A with regard to the emission of radio frequency interference. This device can be used in all areas except residential areas.</p> <p>이 기기는 업무용(A급) 전자파적합기기로서 판매자 또는 사용자는 이 점을 주의하시기 바라며, 가정외의 지역에서 사용하는 것을 목적으로 합니다.</p>
---	---


Declaration of conformity

The current Declaration of conformity is available on the Internet at Declaration of conformity (<https://support.industry.siemens.com/cs/ww/en/ps/14506/cert>).


Marking for Australia and New Zealand

	SIMOTION D410-2 satisfies the requirement of the standard AS/NZS CISPR 16.
or	
	Marking with RCM (Regulatory Compliance Mark) or C-Tick with older components.

Marking for the Eurasian customs union

	EAC (Eurasian Conformity) Customs union of Russia, Belarus and Kazakhstan Declaration of conformity in accordance with the technical regulations of the customs union (TR CU).
---	--

Standards that are not relevant

	China Compulsory Certification SIMOTION D does not belong to the validity area of the China Compulsory Certification (CCC).
---	--

A.2 Device-specific information

Note regarding SIMOTION D

Note

The product standard EN 61800-3 describes the EMC requirements placed on "Variable-speed drive systems". As such, it defines different limits depending on the location of the drive system.

SINAMICS S120 power units are designed for use in the second environment. The term second environment refers to all locations outside residential areas. These are basically industrial areas which are supplied from the medium-voltage line supply via their own transformers.

It is essential to follow the installation instructions in the SINAMICS S120 Manuals in order to ensure compliance with emitted interference and immunity values.

The same installation instructions apply for the SIMOTION D410-2 Control Unit as for the SINAMICS S120 CU310-2 Control Unit with regard to EMC.

For further information on this topic also refer to the *SIMOTION PM 21* Catalog as well as the SINAMICS Function Manuals.

ESD guidelines

B.1 ESD definition

What does ESD mean?

Electrostatic sensitive devices (ESDs) are individual components, integrated circuits, modules or devices that may be damaged by either electrostatic fields or electrostatic discharge.



NOTICE

Damage caused by electric fields or electrostatic discharge

Electric fields or electrostatic discharge can result in malfunctions as a result of damaged individual parts, integrated circuits, modules or devices.

- Only pack, store, transport and send electronic components, modules or devices in their original packaging or in other suitable materials, e.g. conductive foam rubber or aluminum foil.
- Only touch components, modules and devices if you are first grounded by applying one of the following measures:
 - Wearing an ESD wrist strap
 - Wearing ESD shoes or ESD grounding straps in ESD areas with conductive flooring
- Only place electronic components, modules or devices on conductive surfaces (table with ESD surface, conductive ESD foam, ESD packaging, ESD transport container).

B.2 Electrostatic charging of individuals

Any person who is not conductively connected to the electrical potential of the environment can accumulate an electrostatic charge.

This figure indicates the maximum electrostatic charges that can accumulate on an operator when he comes into contact with the indicated materials. These values comply with the specifications in IEC 801-2.

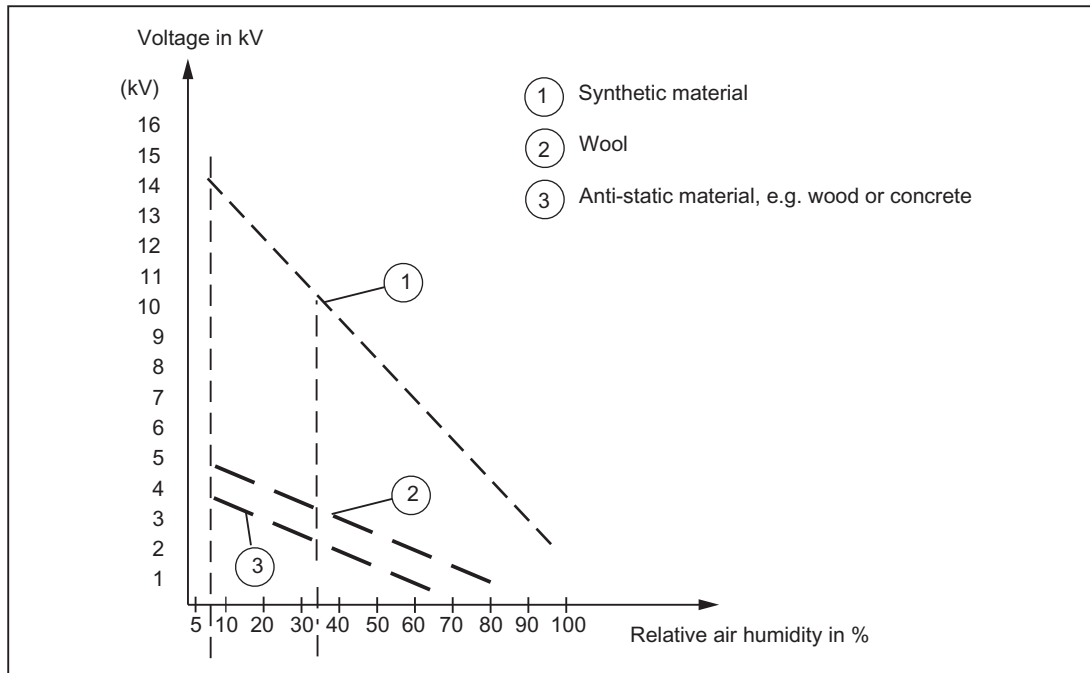


Figure B-1 Electrostatic voltage that can accumulate on operating personnel

B.3 Basic measures for protection against discharge of static electricity

Ensure sufficient grounding

When working with electrostatic sensitive devices, make sure that you, your workstation, and the packaging are properly grounded. This prevents the accumulation of static electricity.

Avoid direct contact

You should only touch ESD components if unavoidable (for example, during maintenance work). When you touch modules, make sure that you do not touch either the pins on the modules or the printed conductors. If you follow these instructions, electrostatic discharge cannot reach or damage sensitive components.

If you have to take measurements on a module, make sure that you first discharge any static that may have accumulated in your body. To do this, touch a grounded metal object. Only use grounded measuring instruments.

Index

A

- Accessories, 99
 - CUA31/CUA32, 104
 - DMC20 DRIVE-CLiQ hub module, 105
 - DME20 DRIVE-CLiQ hub module, 105
 - TM15, 103
 - TM15 DI/DO, 103
 - TM17 High Feature, 103
 - TM31, 100
 - TM41, 101
 - TM54F, 102
- Address space, 86
- Ambient conditions
 - Climatic, 82
 - Mechanical, 82
- Analog input, 57

B

- Backup
 - Non-volatile data, 84

C

- CAD data, 98
- CE marking, 107
- CF card
 - Slot, 45
- CF card, 34
 - Data matrix code, 36
 - Licenses, 34
 - Properties, 33
 - Rating plate, 34
 - Technical data, 85
- Circuit-diagram macro, 98
- Clock, 93
- Component
 - on DRIVE-CLiQ, 27
 - on Ethernet, 26
 - on PROFIBUS, 24
 - on PROFINET, 25
- Conditions of use, 81
- Connection examples
 - with Safety Integrated Extended/Advanced Functions, 69, 73

- without Safety Integrated Extended Functions, 71
 - without Safety Integrated functions, 67
- cULus approval, 107

D

- Declaration of conformity, 107
- DIAG button, 43
- Diagnostic buffer, 84
- Digital I/Os, 57
 - Bidirectional, 66
 - Connection examples, 71
 - Fail-safe, 65
- Digital inputs/outputs
 - Connection examples, 67
 - Technical data, 87
- Dimension drawing, 98
 - Mounting plate, 97
 - SIMOTION D410-2 DP, 95
 - SIMOTION D410-2 DP/PN, 96
- Dimensions, 84
- Display elements, 39
- DMC20
 - Characteristics, 105
- DMC20 (hub)
 - Characteristics, 105
- DME20
 - Characteristics, 105
- DME20 hub
 - Characteristics, 105
- DRIVE-CLiQ
 - Connectable devices, 49
 - Interface, 48
 - Interface assignment, 48
 - Interface characteristics, 48

E

- Electrical connection values, 84
- Electromagnetic compatibility, 107
- EMC directives, 107
- Encoder interface, 54
 - Interface assignment, 55
 - Interface characteristics, 54
- ESD guideline, 111
- Ethernet
 - Connectable devices, 76
 - Interface, 76

G

Guideline
ESD, 111

H

Hardware components, 22

I

I/O systems
PROFINET, 25, 26
Interface assignment
X120, 59
X121, 62
X130, 63
X131, 64
Interfaces, 47
Analog input (X131), 57
Digital I/Os, 57
DRIVE-CLiQ (X100), 48
Encoder interface (X23), 54
Ethernet (X127), 76
Measuring socket, 77
Power Module Interface, 78
Power supply, 74
PROFIBUS DP, 24, 50
PROFINET, 25
PROFINET IO, 52
Temperature sensor connection (X120), 60

L

LED displays, 46
Licenses
Runtime, 34
Licensing, 37

M

MAC address, 33
Measuring socket, 77
Memory
SIMOTION D410-2, 84
Mode switch, 41
Mounting plate
Data, 85

O

Operator controls, 39
DIAG button, 43
Mode switch, 41
RESET button, 44
Service selector switch, 40
Switch S5.0, 44

P

Performance
Motion Control, 85
PLC, 85
PLC and motion control
SIMOTION D410-2 DP performance, 85
SIMOTION D410-2 DP/PN performance, 85
Possible applications, 22
PROFIBUS DP interface
Assignment, 51
PROFINET IO interface
Assignment, 53

R

Rating plate
CF card, 34
SIMOTION D410-2, 32
Real-time clock, 93
References, 4
RESET button, 44
Runtime licenses, 34

S

Safety instructions, 17
Service selector switch, 40
Shipping conditions, 81
Software components, 23
Spare parts, 99
Storage conditions, 81

T

Technical data
Address space, 86
Analog input, 90
CF card, 85
Clock, 93

- Communication, 86
- Digital inputs/outputs, 87
- Encoder interface, 91
- Mounting plate, 85
- SIMOTION D410-2 memory, 84
- Temperature sensor connection, 60
- Terminal Module
 - TM15, 103
 - TM15 DI/DO, 103
 - TM17 High Feature, 103
 - TM31, 100
 - TM41, 101
 - TM54F, 102

U

- UL certification, 107

W

- Weight, 84

