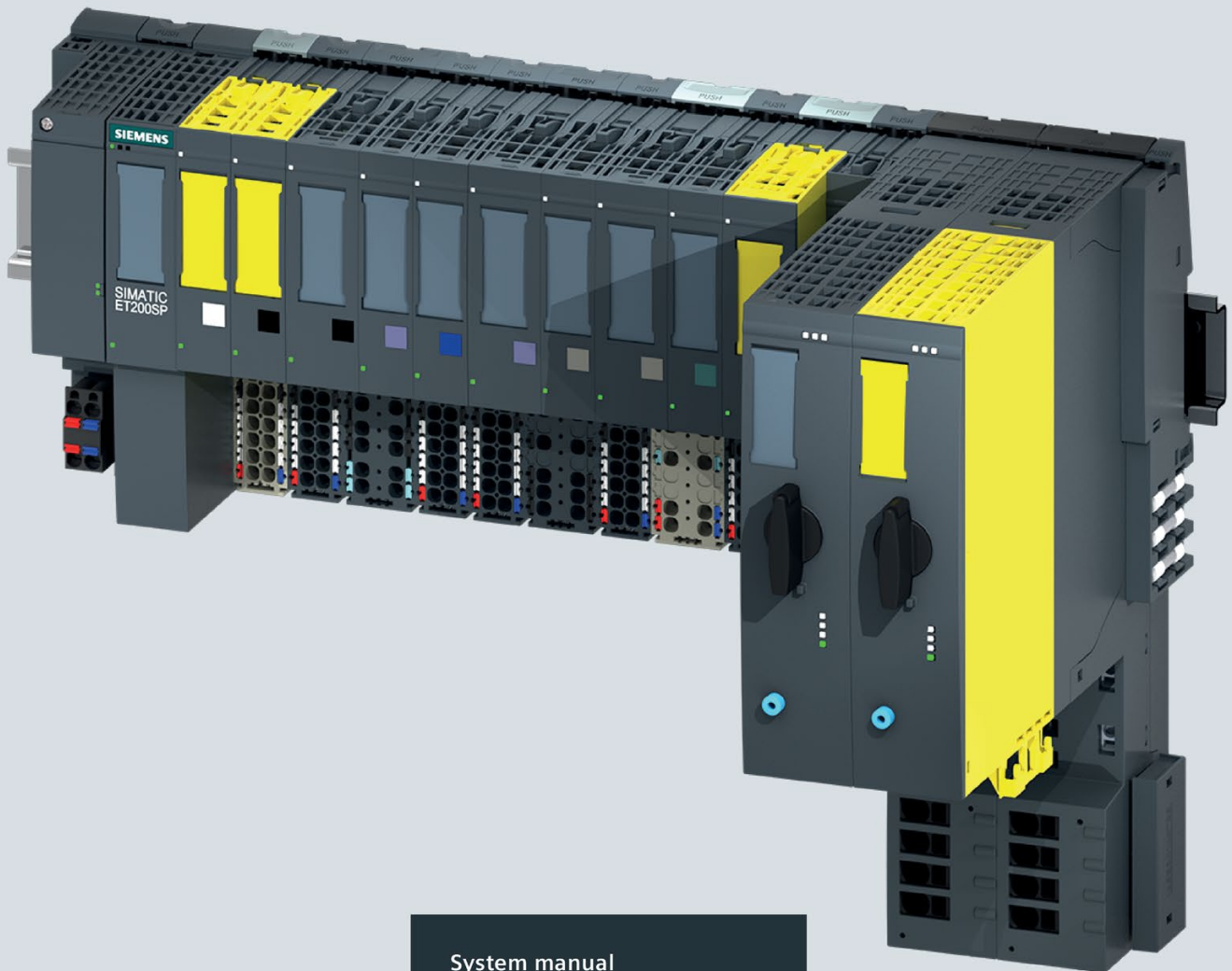


SIEMENS



System manual

SIMATIC

ET 200SP

ET 200SP distributed I/O system

Edition

09/2019

support.industry.siemens.com

SIEMENS

SIMATIC

ET 200SP Distributed I/O system




System Manual

Preface	
ET 200SP Documentation Guide	1
New properties/functions	2
System overview	3
Application planning	4
Installation	5
Wiring	6
Configuring	7
Basics of program execution	8
Protection	9
Configuration control (option handling)	10
Commissioning	11
Maintenance	12
Test and service functions	13
Technical specifications	14
Dimension drawings	A
Accessories/spare parts	B
Calculating the leakage resistance	C
Safety-relevant symbols	D

Legal information

Warning notice system

This manual contains notices you have to observe in order to ensure your personal safety, as well as to prevent damage to property. The notices referring to your personal safety are highlighted in the manual by a safety alert symbol, notices referring only to property damage have no safety alert symbol. These notices shown below are graded according to the degree of danger.

 DANGER
indicates that death or severe personal injury will result if proper precautions are not taken.
 WARNING
indicates that death or severe personal injury may result if proper precautions are not taken.
 CAUTION
indicates that minor personal injury can result if proper precautions are not taken.
NOTICE
indicates that property damage can result if proper precautions are not taken.


If more than one degree of danger is present, the warning notice representing the highest degree of danger will be used. A notice warning of injury to persons with a safety alert symbol may also include a warning relating to property damage.

Qualified Personnel

The product/system described in this documentation may be operated only by **personnel qualified** for the specific task in accordance with the relevant documentation, in particular its warning notices and safety instructions. Qualified personnel are those who, based on their training and experience, are capable of identifying risks and avoiding potential hazards when working with these products/systems.

Proper use of Siemens products

Note the following:

 WARNING
Siemens products may only be used for the applications described in the catalog and in the relevant technical documentation. If products and components from other manufacturers are used, these must be recommended or approved by Siemens. Proper transport, storage, installation, assembly, commissioning, operation and maintenance are required to ensure that the products operate safely and without any problems. The permissible ambient conditions must be complied with. The information in the relevant documentation must be observed.

Trademarks

All names identified by ® are registered trademarks of Siemens AG. The remaining trademarks in this publication may be trademarks whose use by third parties for their own purposes could violate the rights of the owner.

Disclaimer of Liability

We have reviewed the contents of this publication to ensure consistency with the hardware and software described. Since variance cannot be precluded entirely, we cannot guarantee full consistency. However, the information in this publication is reviewed regularly and any necessary corrections are included in subsequent editions.

Preface

Preface

Purpose of the documentation

This documentation provides important information on configuring, installing, wiring and commissioning the ET 200SP distributed I/O system.

Basic knowledge required

A basic knowledge of automation technology is required to understand the documentation.

Validity of the documentation

This documentation applies to the distributed I/O system, ET 200SP.

Definition

In this document, " motor starter" always refers to all variants of the ET 200SP motor starters.

Conventions

Please pay particular attention to notes highlighted as follows:

Note

Notes contain important information on the product, handling the product or on part of the documentation to which you should pay particular attention.

Standards

You can find a dated reference to the respective standards or the EC Declaration of Conformity on the Internet (<https://support.industry.siemens.com>)

Special information

WARNING

Hazardous Voltage Can Cause Death, Serious Injury, or Property Damage.

Proper use of hardware products

This equipment is only allowed to be used for the applications described in the catalog and in the technical description, and only in conjunction with non-Siemens equipment and components recommended by Siemens.

Correct transport, storage, installation and assembly, as well as careful operation and maintenance, are required to ensure that the product operates safely and without faults.

EU note: Start-up/commissioning is absolutely prohibited until it has been ensured that the machine in which the component described here is to be installed fulfills the regulations/specifications of Directive 2006/42/EC.

Note

Important note for maintaining operational safety of your plant

Plants with safety-related features are subject to special operational safety requirements on the part of the operator. Even suppliers are required to observe special measures during product monitoring. For this reason, we inform you in the form of personal notifications about product developments and features that are (or could be) relevant to operation of systems from a safety perspective.

By subscribing to the appropriate notifications, you will ensure that you are always up-to-date and able to make changes to your system, when necessary.

Log onto Industry Online Support. Go to the following links and, on the side, right click on "email on update":

- SIMATIC S7-300/S7-300F (<https://support.industry.siemens.com/cs/ww/en/ps/13751>)
- SIMATIC S7-400/S7-400H/S7-400F/FH (<https://support.industry.siemens.com/cs/ww/en/ps/13828>)
- SIMATIC WinAC RTX (F) (<https://support.industry.siemens.com/cs/ww/en/ps/13915>)
- SIMATIC S7-1500/SIMATIC S7-1500F (<https://support.industry.siemens.com/cs/ww/en/ps/13716>)
- SIMATIC S7-1200/SIMATIC S7-1200F (<https://support.industry.siemens.com/cs/ww/en/ps/13683>)
- Distributed I/O (<https://support.industry.siemens.com/cs/ww/en/ps/14029>)
- STEP 7 (TIA Portal) (<https://support.industry.siemens.com/cs/ww/en/ps/14667>)

Note

When using F-CPU's in safety mode and fail-safe modules, observe the description of the SIMATIC Industrial Software SIMATIC Safety - Configuring and Programming (<http://support.automation.siemens.com/WW/view/en/54110126>) fail-safe system.

Recycling and disposal

For ecologically sustainable recycling and disposal of your old device, contact a certified disposal service for electronic scrap and dispose of the device in accordance with the regulations in your country.

Security information

Siemens provides products and solutions with industrial security functions that support the secure operation of plants, systems, machines and networks.

In order to protect plants, systems, machines and networks against cyber threats, it is necessary to implement – and continuously maintain – a holistic, state-of-the-art industrial security concept. Siemens' products and solutions constitute one element of such a concept.

Customers are responsible for preventing unauthorized access to their plants, systems, machines and networks. Such systems, machines and components should only be connected to an enterprise network or the internet if and to the extent such a connection is necessary and only when appropriate security measures (e.g. firewalls and/or network segmentation) are in place.

For additional information on industrial security measures that may be implemented, please visit (<https://www.siemens.com/industrialsecurity>).

Siemens' products and solutions undergo continuous development to make them more secure. Siemens strongly recommends that product updates are applied as soon as they are available and that the latest product versions are used. Use of product versions that are no longer supported, and failure to apply the latest updates may increase customers' exposure to cyber threats.

To stay informed about product updates, subscribe to the Siemens Industrial Security RSS Feed visit (<https://www.siemens.com/industrialsecurity>).

Siemens Industry Online Support

You can find current information on the following topics quickly and easily here:

- **Product support**

All the information and extensive know-how on your product, technical specifications, FAQs, certificates, downloads, and manuals.

- **Application examples**

Tools and examples to solve your automation tasks – as well as function blocks, performance information and videos.

- **Services**

Information about Industry Services, Field Services, Technical Support, spare parts and training offers.

- **Forums**

For answers and solutions concerning automation technology.

- **mySupport**

Your personal working area in Industry Online Support for messages, support queries, and configurable documents.

This information is provided by the Siemens Industry Online Support in the Internet (<http://www.siemens.com/automation/service&support>).

Industry Mall

The Industry Mall is the catalog and order system of Siemens AG for automation and drive solutions on the basis of Totally Integrated Automation (TIA) and Totally Integrated Power (TIP).

You can find catalogs for all automation and drive products on the Internet.

See also

Industry Mall (<https://mall.industry.siemens.com>)

Table of contents

	Preface	3
1	ET 200SP Documentation Guide	12
2	New properties/functions	14
3	System overview	16
3.1	What is the SIMATIC ET 200SP distributed I/O system?	16
3.2	What are fail-safe automation systems and fail-safe modules?	19
3.3	How are SIMATIC Safety F-systems structured with ET 200SP?	20
3.4	Components	24
4	Application planning	33
4.1	Selecting the BaseUnit for I/O modules	38
4.1.1	Digital, fail-safe, communication, technology or analog modules without temperature measurement	38
4.1.2	Analog modules with temperature measurement	39
4.2	Selecting motor starters with a suitable BaseUnit	40
4.2.1	Selecting a BaseUnit for motor starters	40
4.2.2	Selecting the motor starter	42
4.2.3	Selecting accessories for motor starters	43
4.3	Selecting potential distributor modules	44
4.3.1	Selecting a PotDis-BaseUnit	44
4.3.2	Selecting a PotDis-TerminalBlock	46
4.4	Hardware configuration	47
4.5	Forming potential groups	49
4.5.1	Basics	49
4.5.2	Forming potential groups with BaseUnit type B1	54
4.5.3	Forming potential groups with fail-safe modules	55
4.5.4	Forming potential groups with motor starters	57
4.6	Configuration examples for potential groups	59
4.6.1	Configuration examples with BaseUnits	59
4.6.2	Configuration examples with potential distributor modules	61
5	Installation	63
5.1	Basics	63
5.2	Installation conditions for motor starters	67
5.3	Mounting the CPU/interface module	69
5.4	Installing the CM DP communication module	71
5.5	Mounting BaseUnits for I/O modules	73
5.6	Mounting and dismantling BaseUnits for motor starters	76

5.7	Installing potential distributor modules.....	78
5.8	Installing the server module.....	79
5.9	Mounting further accessories for motor starters	80
5.9.1	Mounting the cover for the 500 V AC infeed bus.....	80
5.9.2	Mounting the mechanical bracket for the BaseUnit	82
5.9.3	Mounting the BU cover	85
6	Wiring	86
6.1	Rules and regulations for operation.....	86
6.2	Additional rules and regulations for the operation of the ET 200SP with fail-safe modules.....	88
6.2.1	Safety extra-low voltage (SELV, PELV) for failsafe modules and failsafe motor starters	88
6.2.2	Requirements for sensors and actuators for fail-safe modules and fail-safe motor starters	89
6.2.3	Crosstalk of digital input/output signals	91
6.3	Additional rules and instructions for operation with motor starters	92
6.3.1	Protection against short circuit.....	92
6.4	Operating the ET 200SP on grounded incoming supply	92
6.5	Electrical configuration of the ET 200SP	96
6.6	Wiring rules	98
6.7	Wiring BaseUnits for I/O modules.....	101
6.8	Connecting cable shields for I/O modules	103
6.9	Wiring BaseUnits for motor starters.....	105
6.10	Connecting the 3DI/LC module for the motor starter.....	109
6.11	Connecting the supply voltage to the CPU/interface module	111
6.12	Connecting interfaces for communication.....	113
6.12.1	Connecting PROFINET IO (port P3) to the CPU.....	113
6.12.2	Connecting the PROFIBUS DP interface to the interface module/communications module CM DP.....	115
6.13	Inserting I/O modules / motor starters and BU covers.....	116
6.14	Mounting/disassembly of motor starters	118
6.14.1	Mounting the fan	118
6.14.2	Mounting/disassembly of motor starters	119
6.14.3	3DI/LC module	121
6.15	Labeling ET 200SP.....	124
6.15.1	Factory markings.....	124
6.15.2	Optional markings	126
6.15.3	Applying color identification labels	127
6.15.4	Applying labeling strips	129
6.15.5	Applying reference identification labels	130
7	Configuring	131
7.1	Configuring ET 200SP	131

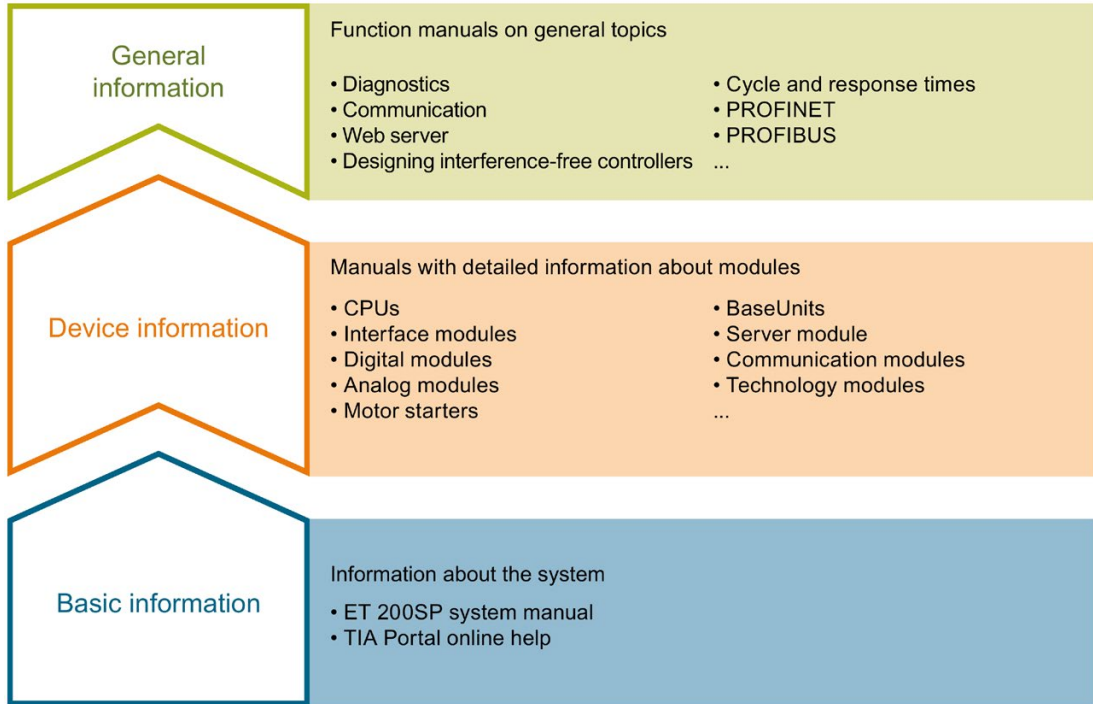
7.2	Configuring the CPU	134
7.2.1	Reading out the configuration	134
7.2.2	Addressing	137
7.2.3	Process images and process image partitions	139
7.2.3.1	Process image - overview	139
7.2.3.2	Automatically updating process image partitions	140
7.2.3.3	Update process image partitions in the user program	140
7.3	Configuring the interface module	142
8	Basics of program execution	143
8.1	Events and OBs	143
8.2	Asynchronous instructions	145
9	Protection	155
9.1	Overview of the protective functions of the CPU	155
9.2	Configuring access protection for the CPU	156
9.3	Using the user program to set additional access protection	159
9.4	Know-how protection	160
9.5	Copy protection	164
10	Configuration control (option handling)	166
10.1	Configuring	169
10.2	Creating the control data record	171
10.2.1	Introduction	171
10.2.2	Control data record for an ET 200SP CPU	173
10.2.3	Control data record for an interface module	175
10.2.4	Feedback data record for interface modules	179
10.2.5	Data records and functions	181
10.3	Transferring control data record in the startup program of the CPU	182
10.4	Behavior during operation	186
10.5	Examples of configuration control	187
11	Commissioning	192
11.1	Overview	192
11.2	Commissioning the ET 200SP for PROFINET IO	194
11.2.1	ET 200SP CPU as an IO controller	194
11.2.2	ET 200SP CPU as an I-device	196
11.2.3	ET 200SP as an IO device	198
11.3	Commissioning the ET 200SP on PROFIBUS DP	199
11.3.1	ET 200SP as a DP master	199
11.3.2	ET 200SP as I-slave	201
11.3.3	ET 200SP as a DP slave	203
11.4	Startup of the ET 200SP with empty slots	204
11.5	Removing/inserting a SIMATIC memory card on the CPU	205

11.6	Operating modes of the CPU.....	206
11.6.1	STARTUP mode	206
11.6.2	STOP mode	209
11.6.3	RUN mode	210
11.6.4	Operating mode transitions.....	210
11.7	CPU memory reset	213
11.7.1	Automatic memory reset	214
11.7.2	Manual memory reset	214
11.8	Reassigning parameters during operation.....	216
11.9	Backing up and restoring the CPU configuration.....	217
11.9.1	Overview	217
11.10	Time synchronization	220
11.10.1	Example: Configuring and changing NTP server.....	222
11.11	Identification and maintenance data	226
11.11.1	Reading out and entering I&M data	226
11.11.2	Data record structure for I&M data.....	228
11.11.3	Example: Read out firmware version of the CPU with Get_IM_Data.....	230
11.12	Shared commissioning of projects.....	232
12	Maintenance	233
12.1	Removing and inserting I/O modules/motor starters (hot swapping).....	233
12.2	Changing the type of an I/O module	237
12.3	Replacing an I/O module	238
12.4	Replacing a motor starter.....	239
12.5	Replacing the terminal box on the BaseUnit.....	240
12.6	Firmware update	242
12.7	Resetting CPU/interface module (PROFINET) to factory settings	249
12.7.1	Resetting the CPU to factory settings.....	249
12.7.2	Resetting interface module (PROFINET IO) to factory settings	252
12.7.3	Resetting the interface module (PROFINET IO) to factory settings with a RESET button	253
12.8	Reaction to faults in fail-safe modules and fail-safe motor starters	255
12.9	Maintenance and repair	257
12.10	Warranty.....	257
13	Test and service functions	258
13.1	Test functions.....	258
13.2	Reading out/saving service data.....	264
14	Technical specifications	267
14.1	Standards, approvals and safety notes	267
14.2	Electromagnetic compatibility	274
14.3	Electromagnetic compatibility of fail-safe modules.....	278

14.4	Shipping and storage conditions.....	281
14.5	Mechanical and climatic environmental conditions.....	282
14.6	Insulation, protection class, degree of protection and rated voltage	286
14.7	Use of the ET 200SP in zone 2 potentially explosive atmospheres	288
A	Dimension drawings	289
A.1	Shield connector	289
A.2	Labeling strip.....	289
A.3	Reference identification labels.....	290
B	Accessories/spare parts	291
B.1	Lightning protection and overvoltage protection for fail-safe modules	294
C	Calculating the leakage resistance	295
D	Safety-relevant symbols	297
D.1	Safety-related symbols for devices without Ex protection	297
D.2	Safety-related symbols for devices with Ex protection	298
	Glossary	300
	Index.....	301

The documentation for the SIMATIC ET 200SP distributed I/O system is arranged into three areas.

This arrangement enables you to access the specific content you require.



Basic information

The System Manual and Getting Started describe in detail the configuration, installation, wiring and commissioning of the SIMATIC ET 200SP distributed I/O system. The STEP 7 online help supports you in the configuration and programming.

Device information

Product manuals contain a compact description of the module-specific information, such as properties, wiring diagrams, characteristics and technical specifications.

General information

The function manuals contain detailed descriptions on general topics regarding the SIMATIC ET 200SP distributed I/O system, e.g. diagnostics, communication, Web server, motion control and OPC UA.

You can download the documentation free of charge from the Internet (<https://support.industry.siemens.com/cs/ww/en/view/109742709>).

Changes and supplements to the manuals are documented in a Product Information.

You can download the product information free of charge from the Internet (<https://support.industry.siemens.com/cs/us/en/view/73021864>).

Manual Collection ET 200SP

The Manual Collection contains the complete documentation on the SIMATIC ET 200SP distributed I/O system gathered together in one file.

You can find the Manual Collection on the Internet (<https://support.automation.siemens.com/WW/view/en/84133942>).

"mySupport"

With "mySupport", your personal workspace, you make the most of your Industry Online Support.

In "mySupport" you can store filters, favorites and tags, request CAx data and put together your personal library in the Documentation area. Furthermore, your data is automatically filled into support requests and you always have an overview of your current requests.

You need to register once to use the full functionality of "mySupport".

You can find "mySupport" in the Internet (<https://support.industry.siemens.com/My/ww/en>).

Application examples

The application examples support you with various tools and examples for solving your automation tasks. Solutions are shown in interplay with multiple components in the system - separated from the focus in individual products.

You can find the application examples on the Internet (<https://support.industry.siemens.com/sc/ww/en/sc/2054>).

New properties/functions

What's new in the ET 200SP System Manual, Edition 09/2019 compared to Edition 02/2018

What's new?		What are the customer benefits?	Where can I find information?
New contents	BaseUnits BU30-MS7, BU30-MS8, BU30-MS9 and BU30-MS10 for fail-safe motor starters	<p>A simple, wire-saving group shutdown for fail-safe motor starters.</p> <p>In contrast to the earlier solution (BU30-MS5 and BU30-MS6), the fail-safe signal only has to be wired to the first motor starter. The fail-safe signal is internally routed via the BaseUnits.</p>	<p>Section Selecting motor starters with a suitable BaseUnit (Page 40)</p> <p>Section Forming potential groups (Page 49)</p> <p>Section Wiring BaseUnits for motor starters (Page 105)</p>

What's new in the system manual ET 200SP, edition 02/2018 compared to edition 12/2016

What's new?		What are the customer benefits?	Where can I find information?
New contents	Potential distributor modules	<p>Potential distributor modules are a space-saving replacement for standard potential distributors or potential distributor terminals. You can set up potential groups much faster, in a more compact design and with fewer components than with standard potential distributor systems.</p> <p>One application is, for example, the design of digital input modules with 16 channels and 3-wire connection. By using the potential distributor modules, you are reserving the unused signal lines of antivalent sensors.</p> <p>Another application is the supply of potentials for external components.</p>	Starting from section System overview (Page 16)
	Password provider	<p>As an alternative to manual password input you can connect a password provider to STEP 7. A password provider offers the following advantages:</p> <ul style="list-style-type: none"> • Convenient handling of passwords. STEP 7 reads the password automatically for the blocks. This saves you time. • Optimal block protection because the operators do not know the actual password. 	Section Know-how protection (Page 160)

What's new?		What are the customer benefits?	Where can I find information?
	GetSMCinfo instruction	With the help of the GetSMCinfo instruction you can respond to information provided by the memory card in the user program and if required, replace the memory card as a precautionary measure. This makes sense in particular if you write to the card often in your application, for example if you use data logs.	Section AUTOHOTSPOT
	Testing with breakpoints	<p>When testing with breakpoints, you execute a program from one breakpoint to another. Testing with breakpoints provides you with the following advantages:</p> <ul style="list-style-type: none"> • Testing SCL and STL program code with the help of breakpoints • Localization of logic errors step by step • Simple and quick analysis of complex programs prior to actual commissioning • Recording of current values within individual executed loops • Use of breakpoints for program validation also possible in SCL/STL networks within LAD/FBD blocks 	Section Test functions (Page 258)
Changed contents	Reading out the identification and maintenance data using the Get_IM_Data instruction	<p>With the Get_IM_Data instruction you can read out the identification and maintenance data of the modules without much programming work.</p> <p>With the Get_IM_Data instruction, you can access the identification and maintenance data (I&M) of a module in the user program. I&M data is information saved in a module. This allows you to</p> <ul style="list-style-type: none"> • check the system configurations • react to hardware changes • react to hardware faults in the user program. <p>Finding and elimination of hardware errors is made easier.</p>	Section Reading out and entering I&M data (Page 226)
	Time synchronization	For all applications that need the exact time, you update the CPU time using the NTP process. This also automatically sets the CPU time beyond subnet limits.	Section Time synchronization (Page 220)
	Firmware update via accessible devices	You are given information on fast firmware updates via accessible devices in the network.	Section Firmware update (Page 242)

System overview

3.1 What is the SIMATIC ET 200SP distributed I/O system?

SIMATIC ET 200SP

SIMATIC ET 200SP is a scalable and highly flexible distributed I/O system for connecting process signals to a higher-level controller via a fieldbus.

Customer benefits of the system

Easy to use

- Compact modules, permanent wiring with single-conductor or multi-conductor connection
- Time savings through tool-free connection system with push-in terminals
- Configuration adaptation for future expansions through integrated configuration control

High performance

- Isochronous PROFINET IO with PROFI-safe and PROFIenergy profiles

CPU

- PROFINET interface with 3 ports
- IO controller
- I device
- Optional CM DP module for connecting to PROFIBUS DP

Compact design

- Small size and high variability thanks to scalability
- Maximum transparency in the most restricted space thanks to the innovative labeling system
- System-integrated load power supply

Safety Integrated

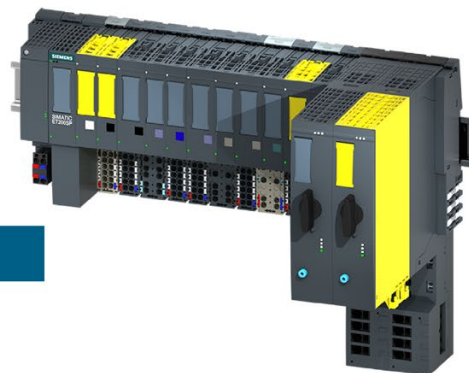
- Simple integration of fail-safe CPUs and modules
- Setting of all F-parameters via software

Communication standards

- PROFINET IO
- PROFIBUS DP
- ET-Connection
- AS-Interface
- IO-Link
- Point-to-point (RS232, RS485)

Energy efficiency

- PROFIenergy as integrated function



Motor starter

- Simple integration of motor starters with overload and short-circuit protection
- Compact design with a max. switchable motor output of up to 5.5 kW

Powerful technology

- Modules for the functions: counting, positioning, weighing and measuring of electrical quantities

Figure 3-1 SIMATIC ET 200SP distributed I/O system - Customer benefits

Area of application

Thanks to its multifunctionality, the SIMATIC ET 200SP distributed I/O system is suitable for a wide range of applications. Its scalable design allows you to tailor your configuration to local requirements. Different CPUs/interface modules are available for connection to PROFINET IO or PROFIBUS DP.

SIMATIC ET 200SP with CPU allows intelligent pre-processing to relieve the higher-level controller. The CPU can also be used as standalone device.

By using fail-safe CPUs, you can implement applications for safety engineering. Configuration and programming of your safety program takes place the same way as for standard CPUs.

A wide range of I/O modules rounds off the product range.

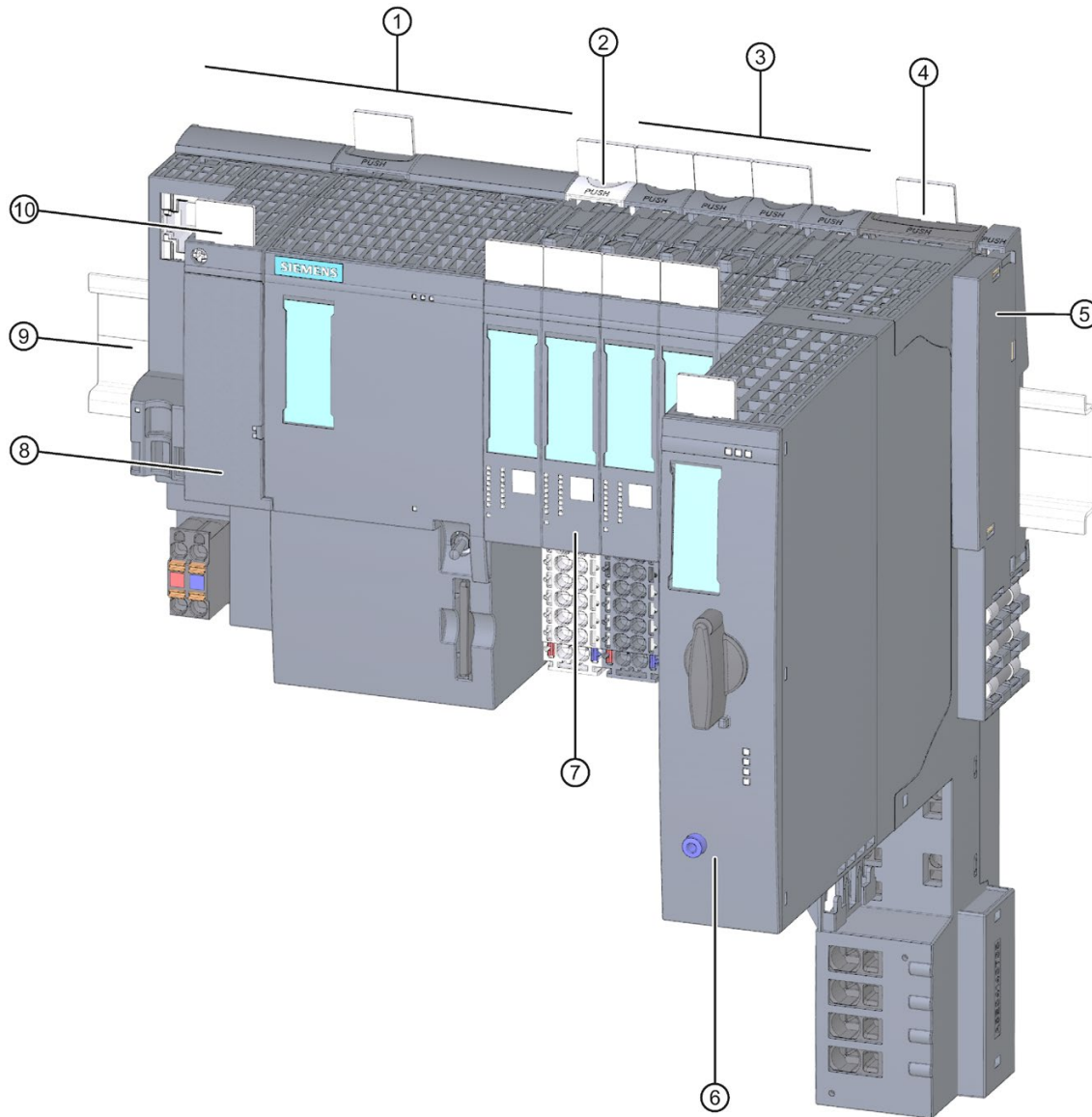
SIMATIC ET 200SP is designed with degree of protection IP20 and is intended for installation in a control cabinet.

Configuration

The SIMATIC ET 200SP distributed I/O system is installed on a mounting rail. It consists of:

- CPU/interface module
- Up to 64 I/O modules, which can be plugged into BaseUnits in any combination
- Up to 31 motor starters
- A server module that completes the configuration of the ET 200SP.

Configuration example



- ① CPU/interface module
- ② Light-colored BaseUnit BU..D with infeed of supply voltage
- ③ Dark-colored BaseUnits BU..B for extending the potential group
- ④ BaseUnit for motor starter
- ⑤ Server module (included in the scope of delivery of the CPU/interface module)
- ⑥ ET 200SP motor starter
- ⑦ I/O module
- ⑧ BusAdapter
- ⑨ Mounting rail
- ⑩ Reference identification label

Figure 3-2 Configuration example of the ET 200SP

3.2 What are fail-safe automation systems and fail-safe modules?

Fail-safe automation systems

Fail-safe automation systems (F-systems) are used in systems with higher safety requirements. F-systems control processes and ensure that they are in a safe state immediately after shutdown. In other words, F-systems control processes in which an immediate shutdown does not endanger persons or the environment.

Safety Integrated

Safety Integrated is the integrated safety concept for automation and drive technology from Siemens.

Proven technologies and systems from automation technology are used for safety systems. Safety Integrated includes the complete safety sequence, ranging from sensor, actuator and fail-safe modules right through to the controller, including safety-related communication via standard fieldbuses. Drives and controllers handle safety tasks in addition to their actual functions.

Fail-safe modules

The key difference between fail-safe modules (F-modules) and standard modules is that they have an internal two-channel design. This means the two integrated processors monitor each other, automatically test the input and output circuits, and switch the fail-safe module to a safe state in the event of a fault.

The F-CPU communicates with a fail-safe module via the safety-related PROFIsafe bus profile.

Fail-safe motor starters

Fail-safe motor starters enable safety-related tripping of motor loads. Fail-safe motor starters are not PROFIsafe nodes. Motor starters operate together with the fail-safe modules of the ET 200SP system.

Area of application of ET 200SP with fail-safe I/O modules

By using the ET 200SP distributed I/O system with fail-safe I/O modules, you are replacing conventional safety engineering configurations. This includes the replacement of switching devices for emergency STOP, protective door monitors, two-hand operation, etc.

3.3 How are SIMATIC Safety F-systems structured with ET 200SP?

SIMATIC Safety F-system with ET 200SP

The figure below shows an example of a configuration for a SIMATIC Safety F-system with ET 200SP distributed I/O system and PROFINET IO. The PROFINET IO lines can be set up with copper cable, fiber-optic cable or WLAN.

Fail-safe I/O modules and non-fail-safe I/O modules can be combined in an ET 200SP configuration.

The fail-safe IO controller (F-CPU) exchanges safety-related and non-safety-related data with fail-safe and non-fail-safe ET 200SP modules.

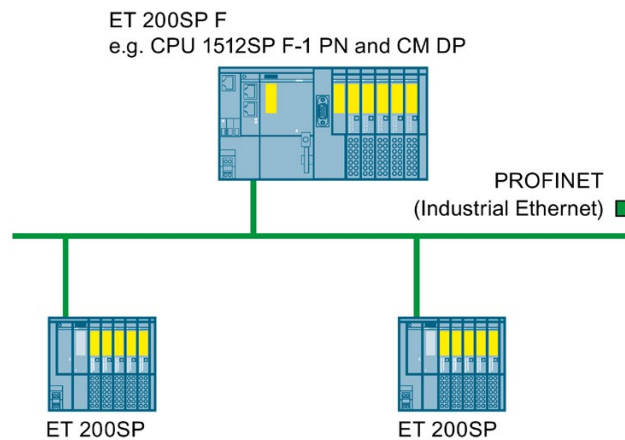


Figure 3-3 Fail-safe SIMATIC Safety automation system (sample configuration)

Fail-safe ET 200SP I/O modules

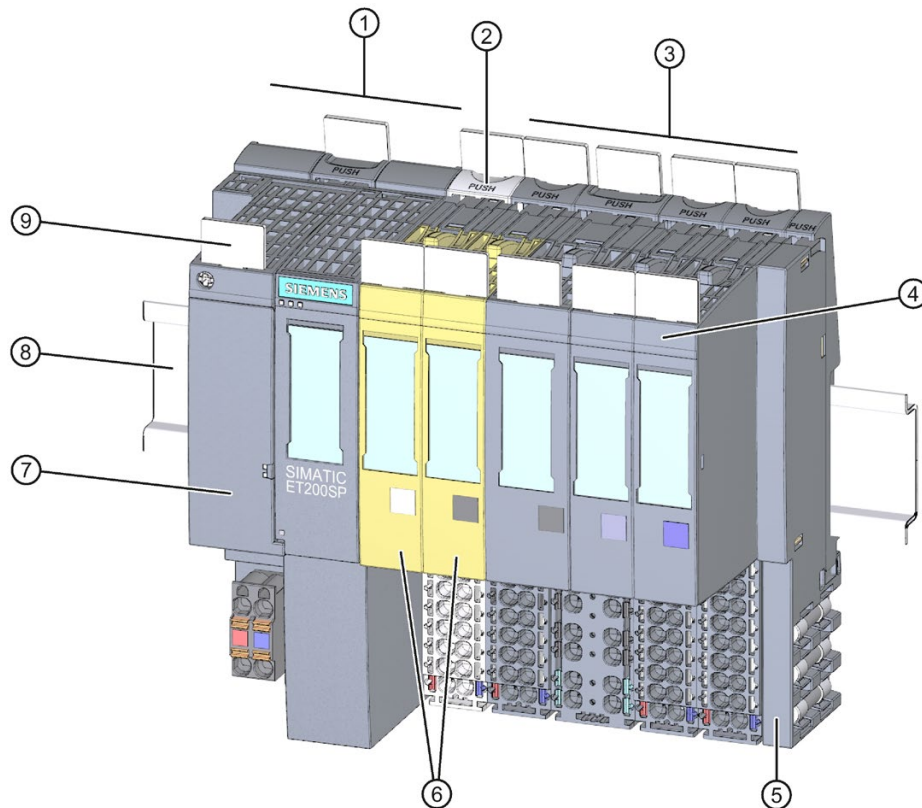
The following fail-safe I/O modules are available for the ET 200SP distributed I/O system:

- Fail-safe power modules are used to supply the potential group load voltage and for the safety-related tripping of the load voltage for non-fail-safe output modules.
- Fail-safe digital input modules detect the signal states of safety-related sensors and send the relevant safety frames to the F-CPU.
- Fail-safe digital output modules are suitable for safety-related shutdown procedures with short circuit and cross-circuit protection up to the actuator.

ET 200SP fail-safe motor starters

Fail-safe motor starters are suitable for safety-related tripping of motor loads.

Example of a configuration with fail-safe I/O modules



- ① Interface module
- ② Light-colored BaseUnit BU..D with infeed of supply voltage
- ③ Dark-colored BaseUnits BU..B for conducting the potential group further
- ④ I/O module
- ⑤ Server module (ships with the interface module)
- ⑥ Fail-safe I/O modules
- ⑦ BusAdapter
- ⑧ Mounting rail
- ⑨ Reference identification label

Figure 3-4 Example of a configuration of the ET 200SP with fail-safe I/O modules

Hardware and software requirements

Fail-safe modules ET 200SP are supported by IM155-6PN ST interface modules as of firmware V1.1.1, IM155-6PN HF as of firmware V2.0, IM155-6PN HS as of firmware V4.0 and IM155-6DP HF as of firmware V1.0.

You require the STEP 7 Safety Advanced option package, V12 or higher including HSP 54, for configuration and programming of the ET 200SP fail-safe modules with the SIMATIC Safety fail-safe system.

You require the F-Configuration Pack V5.5 SP10 or later for configuring and programming the ET 200SP failsafe modules with the Distributed Safety failsafe system.

You require the F-Configuration Pack V5.5 SP12 or later for configuring and programming the ET 200SP failsafe modules with the F/FH Systems failsafe system.

ET 200SP fail-safe motor starters are supported by interface modules IM155-6PN BA, firmware V3.2 or higher, IM155-6PN ST, firmware V3.1 or higher, IM155-6PN HF, firmware V3.1 or higher and IM155-6DP HF firmware V3.0 or higher.

You require SIMATIC Step 7 V14 or higher for configuration and programming of ET 200SP fail-safe motor starters. The F-Configuration Pack is not needed for configuration and programming of the ET 200SP fail-safe motor starter.

Note

Configuration of ET 200SP motor starters, SIMATIC Step 7 V13 or higher, is possible with a GSD file (GSDML).

Use in safety mode only

Safety mode is the F-I/O operating mode that allows safety-related communication using safety frames.

Safety mode of motor starters is characterized by the fail-safe digital input (F-DI) and availability of the 24 V power supply.

You can only use the ET 200SP fail-safe I/O modules in safety mode. They cannot be used in non-fail-safe mode.

Achievable safety classes

The fail-safe modules are equipped with integrated safety functions for safety mode.

You can achieve the safety classes of the table below:

- With the appropriate parameter assignment of the safety functions in STEP 7
- With a specific combination of fail-safe and non-fail-safe I/O modules
- With a special arrangement and wiring of the sensors and actuators

Table 3- 1 Safety classes that can be achieved with ET 200SP in safety mode

Safety class in safety mode		
According to IEC 61508	In accordance with ISO 13849-1	
SIL2	Category 3	(PL) Performance Level d
SIL3	Category 3	(PL) Performance Level e
SIL3	Category 4	(PL) Performance Level e


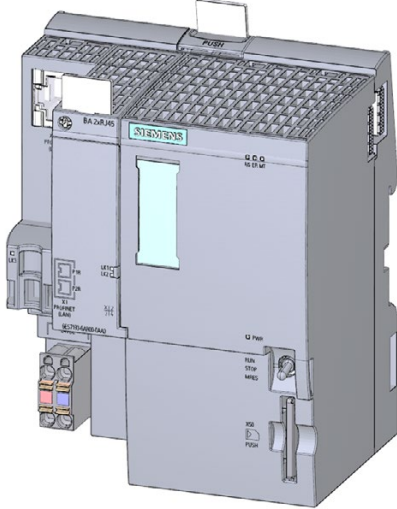
Additional information

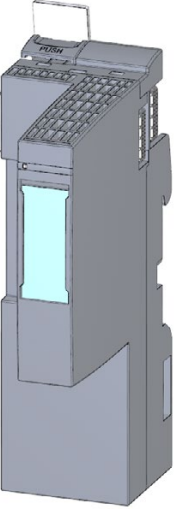
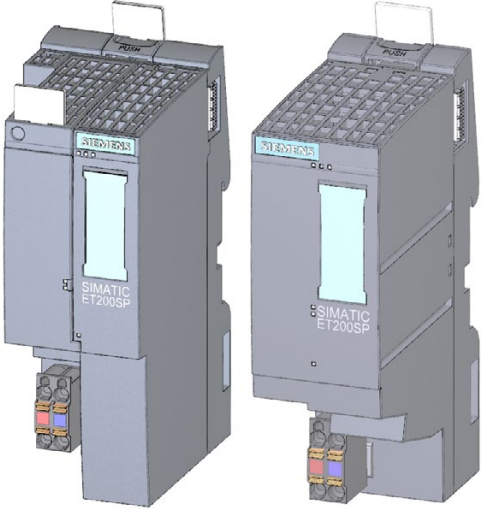
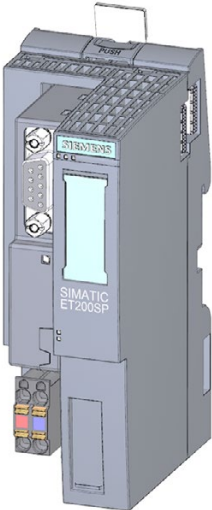
You will find the use cases and wiring for the relevant safety class in the manuals of the fail-safe I/Os and the fail-safe motor starters.

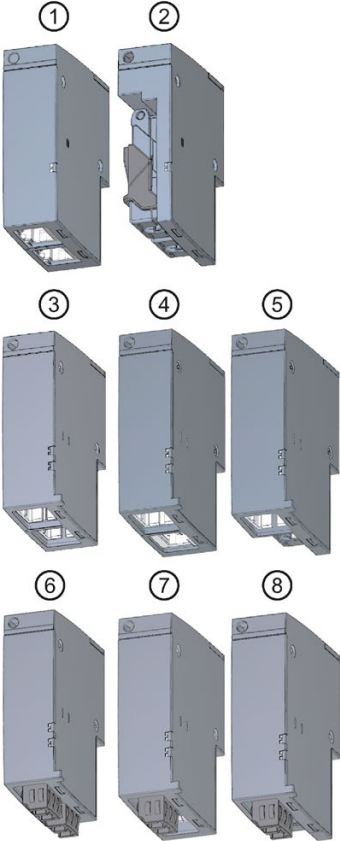
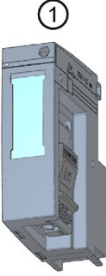
3.4 Components

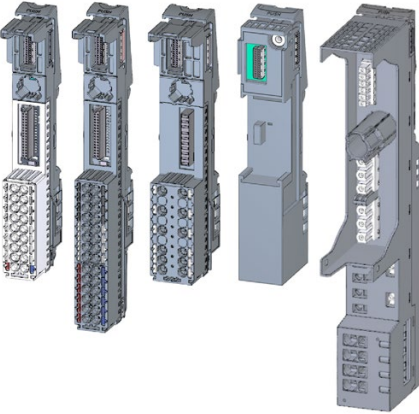

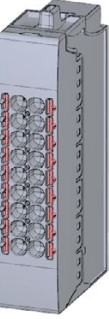
Basic components of the ET 200SP distributed I/O system

Table 3-2 Basic components of the ET 200SP


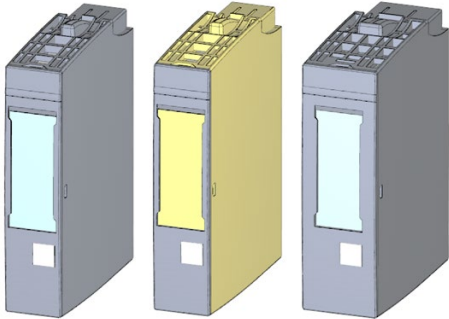

Basic component	Function	Figure
Mounting rail in accordance with EN 60715	The mounting rail is the rack of the ET 200SP. The ET 200SP is installed on the mounting rail. The mounting rail is 35 mm high.	
CPU/Fail-safe CPU	<p>The (F) CPU:</p> <ul style="list-style-type: none"> • Runs the user program. The F-CPU also runs the safety program. • Can be used as an IO controller or I-Device on PROFINET IO or as a standalone CPU • Links the ET 200SP to the IO devices or the IO controller • Exchanges data with the I/O modules via the backplane bus. <p>Additional CPU functions:</p> <ul style="list-style-type: none"> • Communication via PROFIBUS DP (the CPU can be used as a DP master or DP slave in combination with the CM DP communication module) • Integrated Web server • Integrated technology • Integrated trace functionality • Integrated system diagnostics • Integrated safety • Safety mode (when using fail-safe CPUs) 	

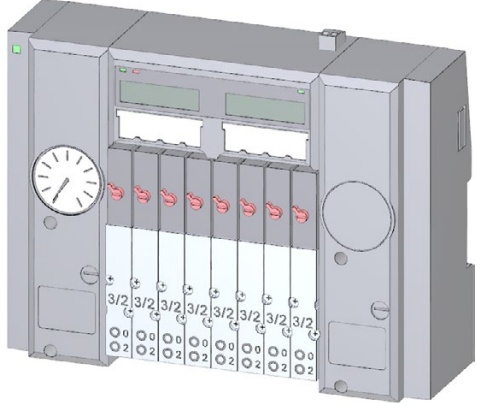
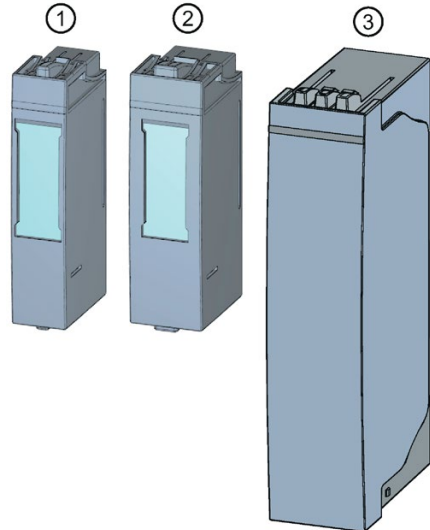
Basic component	Function	Figure
<p>Communication module CM DP</p>	<p>The communication module CM DP</p> <ul style="list-style-type: none"> • Connects the CPU with PROFIBUS DP • The bus connection is an RS485 interface 	
<p>Interface module for PROFINET IO</p>	<p>The interface module:</p> <ul style="list-style-type: none"> • Can be used as IO device on PROFINET IO • Links the ET 200SP with the IO controller • Exchanges data with the I/O modules via the backplane bus. 	
<p>Interface module for PROFIBUS DP</p>	<p>The interface module:</p> <ul style="list-style-type: none"> • Can be used as DP slave on PROFIBUS DP • Links the ET 200SP with the DP master • Exchanges data with the I/O modules via the backplane bus. 	


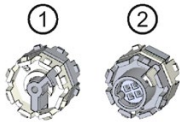
Basic component	Function	Figure
<p>BusAdapter</p>	<p>The BusAdapters allow free selection of the connection technology for PROFINET IO. The following versions are available for PROFINET CPU/interface modules:</p> <ul style="list-style-type: none"> • For standard RJ45 connector (BA 2×RJ45) ① • For direct connection of the bus cable (BA 2×FC) ② • For POF/PCF fiber-optic cable (BA 2xSCRJ) ③ • As media converter for POF/PCF fiber-optic cable ⇔ standard RJ45 plug (BA SCRJ/RJ45) ④ • As media converter for POF/PCF fiber-optic cable ⇔ direct connection of the bus cable (BA SCRJ/FC) ⑤ • For glass fiber-optic cable (BA 2xLC) ⑥ • As media converter for glass fiber-optic cable ⇔ standard RJ45 plug (BA LC/RJ45) ⑦ • As media converter for glass fiber-optic cable ⇔ direct connection of the bus cable (BA LC/FC) ⑧ 	
	<p>For mixed ET 200SP/ET 200AL configuration, you require the BusAdapter BA-Send 1xFC ① (plugged into the BaseUnit BU-Send). Connect the bus cable for ET-Connection to the BusAdapter BA-Send 1xFC.</p>	

Basic component	Function	Figure
BaseUnit	<p>The BaseUnits provide the electrical and mechanical connection of the ET 200SP modules. Place the I/O modules or the motor starter onto the BaseUnits.</p> <p>Suitable BaseUnits are available in each case for the different requirements. You can find additional information in section Selecting the BaseUnit for I/O modules (Page 38).</p>	
PotDis-BaseUnit potential distributor module	<p>You use the potential distributor module to distribute a variety of potentials (P1, P2). This allows you to implement a multi-cable connection without external terminals with 16-channel digital modules.</p> <p>The assembly has two parts:</p> <ul style="list-style-type: none"> • If you need additional potential terminals, plug a PotDis-TerminalBlock in the PotDis-BaseUnit. • Alternatively, plug a BU cover (15 mm) on the PotDis-BaseUnit. <p>With potential distributor modules, you may only connect to the PotDis-TB versions BR-W and n.c.-G potential, which exceed the voltage level of SELV/PELV. Other SELV/PELV potential groups should be separated with light-colored PotDis BUs.</p> <p>Suitable PotDis-BaseUnits are available in each case for the different requirements. You can find additional information in section Selecting a PotDis-BaseUnit (Page 44).</p>	
PotDis-TerminalBlock	<p>If you need additional potential terminals for a PotDis-BaseUnit, plug a PotDis-TerminalBlock in the PotDis-BaseUnit.</p> <p>Voltages greater than SELV/PELV are only permitted for the PO PotDis-TBs BR (bridged) and NC (not connected). The same applies to PE. Voltages at the terminals of the PotDis modules connected to the P1/P2 rails must not be greater than SELV/PELV.</p> <p>Suitable PotDis-TerminalBlocks are available in each case for the different requirements. You can find additional information in section Selecting a PotDis-TerminalBlock (Page 46).</p>	

3.4 Components

Basic component	Function	Figure
Fail-safe power module	The fail-safe power module allows the safety-related shutdown of digital output modules / fail-safe digital output modules.	
I/O module / fail-safe I/O module	<p>The I/O module determines the function at the terminals. The controller detects the current process state via the connected sensors and actuators, and triggers the corresponding reactions. I/O modules are divided into the following module types:</p> <ul style="list-style-type: none"> • Digital input (DI, F-DI) • Digital output (DQ, F-DQ PM, F-DQ PP, F-RQ) • Analog input (AI) • Analog output (AQ) • Technology module (TM) • Communication module (CM) 	
Motor starter/fail-safe motor starter	<p>The motor starter is a switching and protection device for 1-phase and 3-phase loads.</p> <p>The motor starter is available as a direct-on-line and reversing starter.</p>	

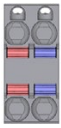



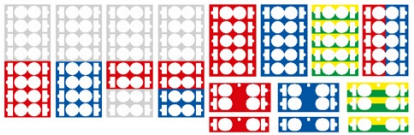
Basic component	Function	Figure
<p>Vale terminal AirLINE SP type 8647 (Bürkert GmbH & Co. KG) ^{1) 2)}</p>	<p>Basic component: Valve terminal AirLINE SP type 8647 (Bürkert). For more information on the AirLINE SP, type 8647 (e.g. data sheet and operating instructions), please contact Bürkert (https://www.burkert.co.uk/en/type/8647) directly.</p> <p>Function: Valve terminals are common in industrial automation and are used as pilot valves for controlling pneumatic actuators, for example in areas of the food, pharmaceutical and water treatment industries. The ET 200SP in combination with the AirLINE SP, type 8647 from Bürkert provides a universal interface between process and plant control that enables the flexible, modular configuration of pilot valves and I/O modules. The valve terminal can also be fitted to the base of the control cabinet with the help of the AirLINE Quick Adapter. This further reduces the space required in the control cabinet and considerably simplifies installation of the pneumatic system. ^{1) 2)}</p>	
<p>BU cover</p>	<p>Insert the BU cover on the BaseUnits:</p> <ul style="list-style-type: none"> • Whose slots are not equipped with I/O modules/ motor starters//PotDis-TerminalBlocks. • Whose slots have been reserved for future expansion (as empty slots). <p>You can keep a reference identification label for the planned I/O module inside the BU cover.</p> <p>There are three versions:</p> <ul style="list-style-type: none"> • For BaseUnits with a width of 15 mm ① • For BaseUnits with a width of 20 mm ② • For BaseUnits of motor starters with a width of 30 mm ③ 	

Basic component	Function	Figure
Server module	<p>The server module completes the configuration of the ET 200SP. The server module includes holders for 3 spare fuses (5 × 20 mm).</p> <p>The server module ships with the CPU/interface module.</p>	
Coding element	<p>The coding element codes the I/O module with the BaseUnit.</p> <p>There are two versions:</p> <ul style="list-style-type: none"> • Mechanical coding element ①: Ensures the coding • Electronic coding element ②: This version also has an electronic, rewritable memory for module-specific configuration data (such as the F-destination address for fail-safe modules, parameter data for the IO link master). 	

- 1) Note: The description contains non-binding information on supplementary products that are manufactured and marketed not by Siemens but by third-parties outside the Siemens group ("third-party firms"). These third parties organize the manufacture, sale and delivery of their products independently and their terms and conditions apply. Responsibility for these supplementary products and for the information relating to them that is provided here thus lies solely with the third parties in question. Unless bound to do so by statutory requirements, Siemens shall not accept any liability or provide any guarantee for the supplementary products of third-party firms. Please also note the information "Disclaimer/Use of hyperlinks".
- 2) Disclaimer/Use of hyperlinks: Siemens has put together this description with great care. However, Siemens is unable to check whether the data provided by third-party firms is complete, accurate and up to date. Certain items of information may therefore potentially be incorrect, incomplete or no longer up to date. Siemens shall not accept any liability should this be the case, nor shall it accept liability for the usability of the data or of the product for the user unless it has a statutory obligation to do so.
 This entry contains the addresses of third-party websites. Siemens is not responsible for and shall not be liable for these websites or their content, as Siemens has not checked the information contained therein and is not responsible for the content or information they provide. The use of such websites is at the user's own risk.


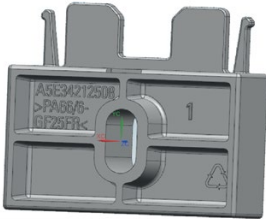

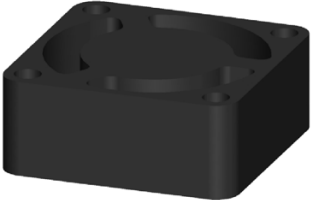
Accessories of the ET 200SP distributed I/O system

Table 3- 3 Accessories of the ET 200SP

Accessories	Function	Figure
24 V DC connector	Applying the 24 V DC supply at the connector and connection with the CPU/interface module, for example.	
Shield connection	The shield connection allows the low-impedance contacting of cable shields with minimum installation times.	
Labeling strips	<p>Attach the labeling strips to the modules for system-specific labeling of the ET 200SP. The labeling strips can be printed.</p> <p>The labeling strips can be ordered as accessories (Page 291) on a roll for thermal transfer printers or as DIN A4 format sheets for laser printers.</p>	
Reference identification labels	<p>The labels enable the reference identification labeling of the ET 200SP components.</p> <p>The labels can be ordered on a mat for thermal transfer and inkjet printers as accessories (Page 291).</p>	
Color identification labels	The color identification labels are module-specific and can be ordered for the process terminals, AUX terminals and additional terminals as accessories (Page 291).	

Accessories of the SIMATIC ET 200SP motor starters

Table 3- 4 SIMATIC ET 200SP motor starter accessories

Accessories	Function	Figure
3DI/LC module	<p>The optional 3DI/LC module has three digital inputs and one LC input. For reasons of operational safety, input LC is permanently set to manual local mode. By parameterizing the inputs DI1 - DI3 with motor CLOCKWISE or motor COUNTER-CLOCKWISE, you can control the motor in manual local mode.</p> <p>The functions of the 3DI/LC module are not relevant to functional safety.</p> <p>Detailed information on the functions when using a 3DI/LC module can be found in the Manual (https://support.industry.siemens.com/cs/ww/en/view/109479973).</p>	 <p>A grey 3DI/LC module with four terminals labeled DI1, DI2, DI3, and LC. A green terminal block is attached to the top.</p>
Mechanical bracket for BaseUnit	<p>Use the mechanical bracket for additional fixing of the motor starter. You can use the mechanical bracket on 7.5 mm and 15 mm mounting rails.</p>	 <p>A grey plastic bracket with a central circular hole and two side tabs. It is designed to fit onto a mounting rail.</p>
Infeed bus cover	<p>For finger-safe termination of the infeed bus, use the cover.</p>	 <p>A grey plastic cover with a rectangular shape and a notch on one side, used to cover the infeed bus.</p>
Fan	<p>You can use the motor starter at higher ambient temperatures if a fan is installed.</p>	 <p>A black plastic fan housing with a circular opening in the center, used for cooling the motor starter.</p>

Application planning

Overview

The BaseUnits (BU) are classified according to different types. Every BaseUnit type is distinguished by characteristics that match certain I/O modules and motor starters (see the following table and graphics).

You recognize the BU type for an I/O module by the last two digits of an I/O module's article number.

The BU type onto which you can plug the respective I/O module is printed on the I/O modules. You can therefore read which BU type you need straight from the I/O module (see Factory labels (Page 124) (page 122)).

Example: On the output module DQ 16x24VDC/0.5A ST with article number 6ES7132-6BH01-0BA0 the information "BU: A0" is printed. This means you can plug this I/O module into a BaseUnit of BU type "A0", which means any BaseUnit whose article number ends in "A0". I/O modules that are suitable for two BU types are labeled accordingly, for example "BU: A0, A1".

Note

You will find a complete overview of the possibilities of combining BaseUnits and I/O modules /motor starters in the Product information for documentation of the ET 200SP I/O system (<http://support.automation.siemens.com/WW/view/en/73021864>).

Table 4- 1 Selecting a suitable BaseUnit for I/O modules

Selecting a BaseUnit	I/O module (example)	Examples of suitable I/O modules for BU types	
		I/O module (example)	BaseUnit
BU type A0 See Digital, fail-safe, communication, technology or analog modules without temperature measurement (Page 38)	Digital, fail-safe, technology or communication module <ul style="list-style-type: none"> • 6ES7...A0 • 24 V DC • 15 mm wide 	DI 16×24VDC ST (6ES7131-6BH00-0BA0)	BU15-P16+A0+2D (6ES7193-6BP00-0DA0)
BU type A1 See Analog modules with temperature measurement (Page 39)	Analog module with temperature measurement* <ul style="list-style-type: none"> • 6ES7...A1 • 24 V DC • 15 mm wide 	AI 4×RTD/TC 2-/3-/4-wire HF (6ES7134-6JD00-0CA1)	BU15-P16+A0+2D/T(6ES7193-6BP00-0DA1)
	Analog module without temperature measurement** <ul style="list-style-type: none"> • 6ES7...A1 • 24 V DC • 15 mm wide 	AI 4xU/I 2-wire ST (6ES7134-6HD00-0BA1)	
BU type B0 (BU..B, dark-colored BaseUnit)	Digital output module with relay <ul style="list-style-type: none"> • 6ES7...B0 • Up to 230 V AC • 20 mm wide 	RQ 4×120VDC-230VAC/5A NO ST (6ES7132-6HD00-0BB0)	BU20-P12+A4+0B (6ES7193-6BP20-0BB0)
BU type B1 (BU..B, dark-colored BaseUnit)	Digital modules <ul style="list-style-type: none"> • 6ES7...B1 • Up to 230 V AC • 20 mm wide 	DI 4×120..230VAC ST (6ES7131-6FD00-0BB1)	BU20-P12+A0+4B (6ES7193-6BP20-0BB1)
BU type C0 (BU..D, light-colored BaseUnit)	Fail-safe power module <ul style="list-style-type: none"> • 6ES7...C0 • 24 V DC • 20 mm wide CM AS-i Master ST/F- CM AS-i Safety ST <ul style="list-style-type: none"> • 6ES7...C1 • Up to 30 V DC • 20 mm wide 	CM AS-i Master ST (3RK7137-6SA00-0BC1)	BU20-P6+A2+4D (6ES7193-6BP20-0DC0)

Selecting a BaseUnit	I/O module (example)	Examples of suitable I/O modules for BU types	
		I/O module (example)	BaseUnit
BU type C1 (BU..B, dark-colored BaseUnit)	F-CM AS-i Safety ST <ul style="list-style-type: none"> • 6ES7...C1 • Up to 30 V DC • 20 mm wide 	F-CM AS-i Safety ST (3RK7136-6SC00-0BC 1)	BU20-P6+A2+4B (6ES7193-6BP20-0BC 1)
BU type D0	AI Energy Meter <ul style="list-style-type: none"> • 6ES7...D0 • Up to 400 V AC/ 480 V AC • 20 mm wide 	AI Energy Meter 480VAC ST (6ES7134-6PA20-0BD 0)	BU20-P12+A0+0B (6ES7193-6BP00-0BD 0)
BU type F0	F- RQ 1×24VDC/24..230 VAC/5A <ul style="list-style-type: none"> • 6ES7...F0 • Up to 230 V AC • 20 mm wide 	F- RQ 1×24VDC/24..230VA C/5A (6ES7136-6RA00-0BF 0)	BU20-P8+A4+0B (6E7193-6BP20-0BF 0)
BU type U0	DQ 4×24...230VAC/2 A HF <ul style="list-style-type: none"> • 6ES7...U0 • Up to 400 V AC/480 V A C • 20 mm wide 	DQ 4×24...230VAC/2A HF (6ES7132-6FD00-0CU 0)	BU20-P16+A0+2D (6E7193-6BP00-0BU 0)

* For compensation of the reference junction temperature for thermocouples. BU type A1 is required if you measure the reference junction temperature with an internal temperature sensor or if you need the additional 2×5 terminals.

If you use the internal reference junction temperature with BU type A1, ensure an even temperature distribution at the terminals. The specified accuracy of the utilized analog module is then adhered to. If necessary, you can increase the accuracy via user calibration.

** Analog modules **with and without** temperature measurement can also be plugged into BU type A0.

Table 4- 2 BaseUnit for motor starters

		Selecting the BaseUnit									
		BU-30-MS1	BU-30-MS2	BU-30-MS3	BU-30-MS4	BU-30-MS5	BU-30-MS6	BU-30-MS7	BU-30-MS8	BU-30-MS9	BU-30-MS10
24 V infeed		x		x							
500 V infeed		x	x			x		x	x		
F-DI terminals (no routing of the F-DI signal possible)						x	x				
F-DI infeed								x			x
F-DI routing									x	x	
Motor starters											
DS 0.1 - 0.4 A HF	3RK1308- 0AA00- 0CP0	x	x	x	x	x*	x*	x*	x*	x*	x*
DS 0.3 - 1A HF	3RK1308- 0AB00- 0CP0	x	x	x	x	x*	x*	x*	x*	x*	x*
DS 0.9 - 3A HF	3RK1308- 0AC00- 0CP0	x	x	x	x	x*	x*	x*	x*	x*	x*
DS 2.8 - 9A HF	3RK1308- 0AD00- 0CP0	x	x	x	x	x*	x*	x*	x*	x*	x*
DS 4.0 - 12A HF	3RK1308- 0AE00- 0CP0	x	x	x	x	x*	x*	x*	x*	x*	x*
RS 0.1 - 0.4 A HF	3RK1308- 0BA00- 0CP0	x	x	x	x	x*	x*	x*	x*	x*	x*
RS 0.3 - 1A HF	3RK1308- 0BB00- 0CP0	x	x	x	x	x*	x*	x*	x*	x*	x*
RS 0.9 - 3A HF	3RK1308- 0BC00- 0CP0	x	x	x	x	x*	x*	x*	x*	x*	x*
RS 2.8 - 9A HF	3RK1308- 0BD00- 0CP0	x	x	x	x	x*	x*	x*	x*	x*	x*
RS 4.0 - 12A HF	3RK1308- 0BE00- 0CP0	x	x	x	x	x*	x*	x*	x*	x*	x*
F-DS 0.1 - 0.4 A HF	3RK1308- 0CA00- 0CP0	x	x	x	x	x	x	x	x	x	x
F-DS 0.3 - 1A HF	3RK1308- 0CB00- 0CP0	x	x	x	x	x	x	x	x	x	x

F-DS 0.9 - 3A HF	3RK1308- 0CC00- 0CP0	x	x	x	x	x	x	x	x	x	x
F-DS 2.8 - 9A HF	3RK1308- 0CD00- 0CP0	x	x	x	x	x	x	x	x	x	x
F-DS 4.0 - 12A HF	3RK1308- 0CE00- 0CP0	x	x	x	x	x	x	x	x	x	x
F-RS 0.1 - 0.4 A HF	3RK1308- 0DA00- 0CP0	x	x	x	x	x	x	x	x	x	x
F-RS 0.3 - 1A HF	3RK1308- 0DB00- 0CP0	x	x	x	x	x	x	x	x	x	x
F-RS 0.9 - 3A HF	3RK1308- 0DC00- 0CP0	x	x	x	x	x	x	x	x	x	x
F-RS 2.8 - 9A HF	3RK1308- 0DD00- 0CP0	x	x	x	x	x	x	x	x	x	x
F-RS 4.0 - 12A HF	3RK1308- 0DE00- 0CP0	x	x	x	x	x	x	x	x	x	x

* The F-DI terminals or F-DI infeed/routing have no function with this combination.

Additional information

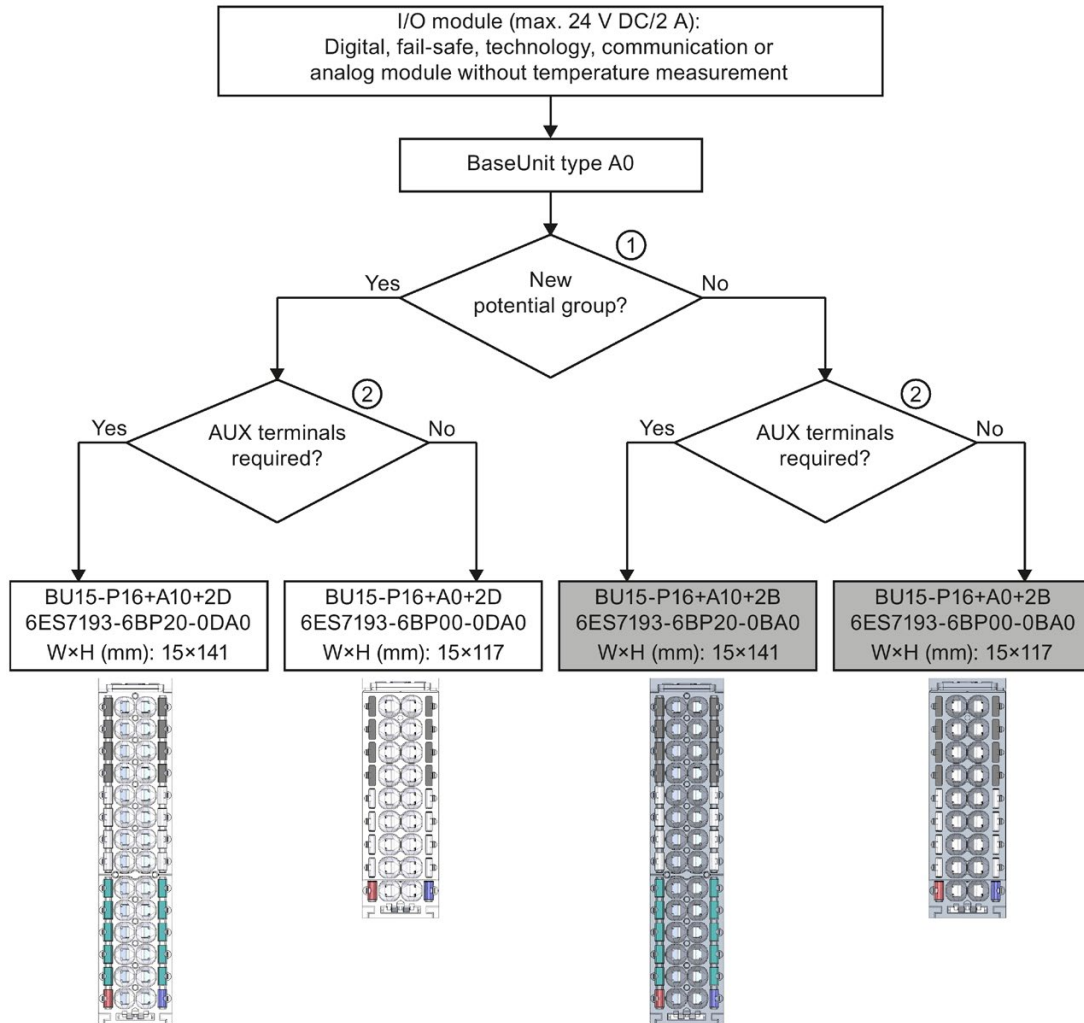
Additional information on the functional assignment of the terminals and on the associated BaseUnits can be found in one of the following manuals:

- Manual for the relevant I/O module
(<http://support.automation.siemens.com/WW/view/en/55679691/133300>)
- Manual BaseUnits (<http://support.automation.siemens.com/WW/view/en/59753521>)
- Motor starter (<https://support.industry.siemens.com/cs/ww/en/view/109479973>) manual

4.1 Selecting the BaseUnit for I/O modules

4.1.1 Digital, fail-safe, communication, technology or analog modules without temperature measurement

Selection of a suitable BaseUnit



① Light-colored BaseUnit: Configuration of a new potential group, electrical isolation from adjacent module on the left. The first BaseUnit of the ET 200SP is usually a light-colored BaseUnit for feeding the supply voltage L+. Exception: If you insert an AC I/O module or an AI Energy Meter as the first I/O module, the first BaseUnit in the ET 200SP configuration can be a dark-colored BaseUnit. The requirement is that you use a CPU or IM 155-6 (as of V3.0).

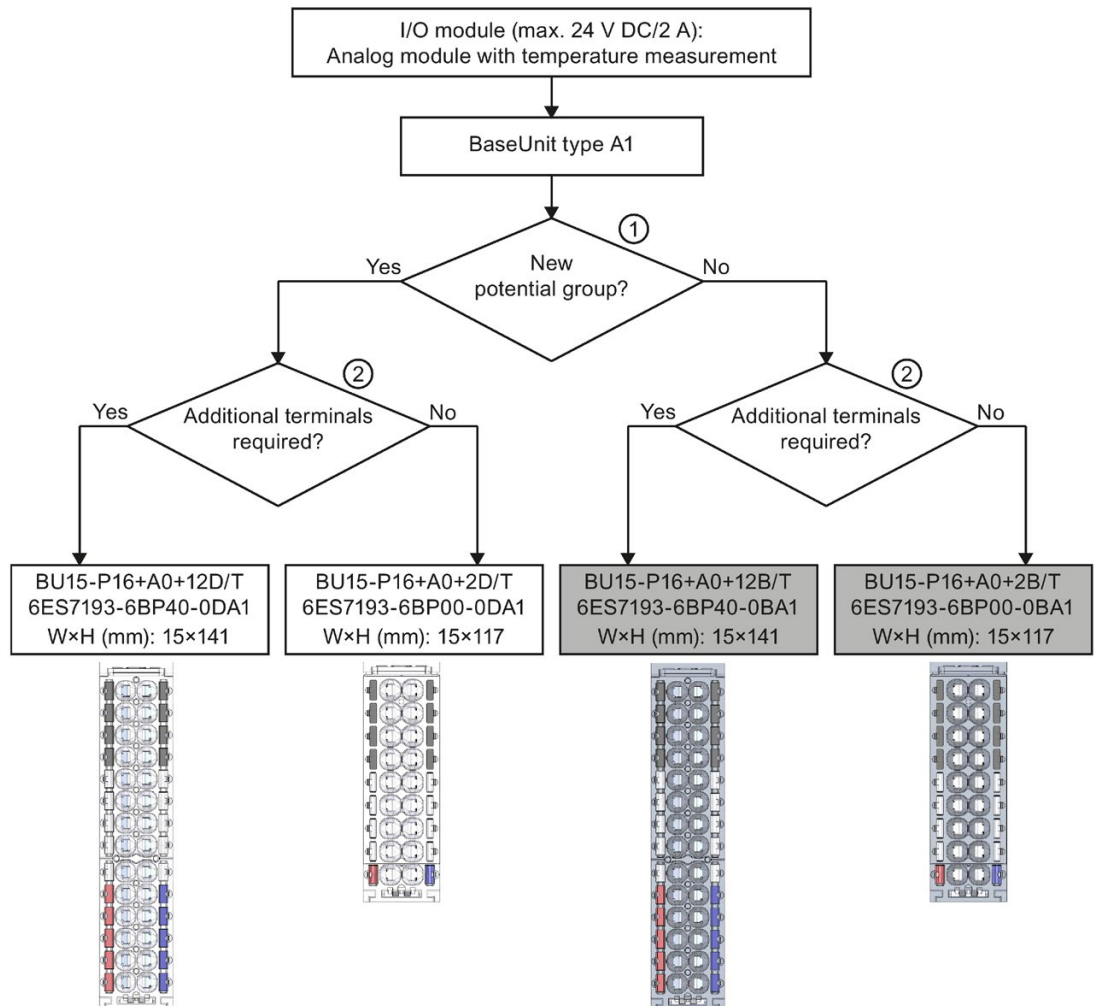
Dark-colored BaseUnit: Conduction of the internal power and AUX buses from the adjacent module on the left.

② AUX terminal: 10 internally bridged terminals for individual use up to 24 V DC/10 A or as protective conductors. Example: Multiple cable connection for DI 8×24VDC ST

Figure 4-1 Digital, fail-safe, communication, technology or analog modules without temperature measurement

4.1.2 Analog modules with temperature measurement

Selection of a suitable BaseUnit



- ① Light-colored BaseUnit: Configuration of a new potential group, electrical isolation from adjacent module on the left. The first BaseUnit of the ET 200SP is usually a light-colored BaseUnit for feeding the supply voltage L+.
Dark-colored BaseUnit: Continuation of the internal power and AUX buses from the adjacent module on the left.
- ② Additional terminals: 2×5 internally bridged terminals for individual use up to 24 V DC/2 A
Example: Sensor supply for AI 4×U/I 2-wire ST

Figure 4-2 Analog modules with temperature measurement

4.2 Selecting motor starters with a suitable BaseUnit

4.2.1 Selecting a BaseUnit for motor starters

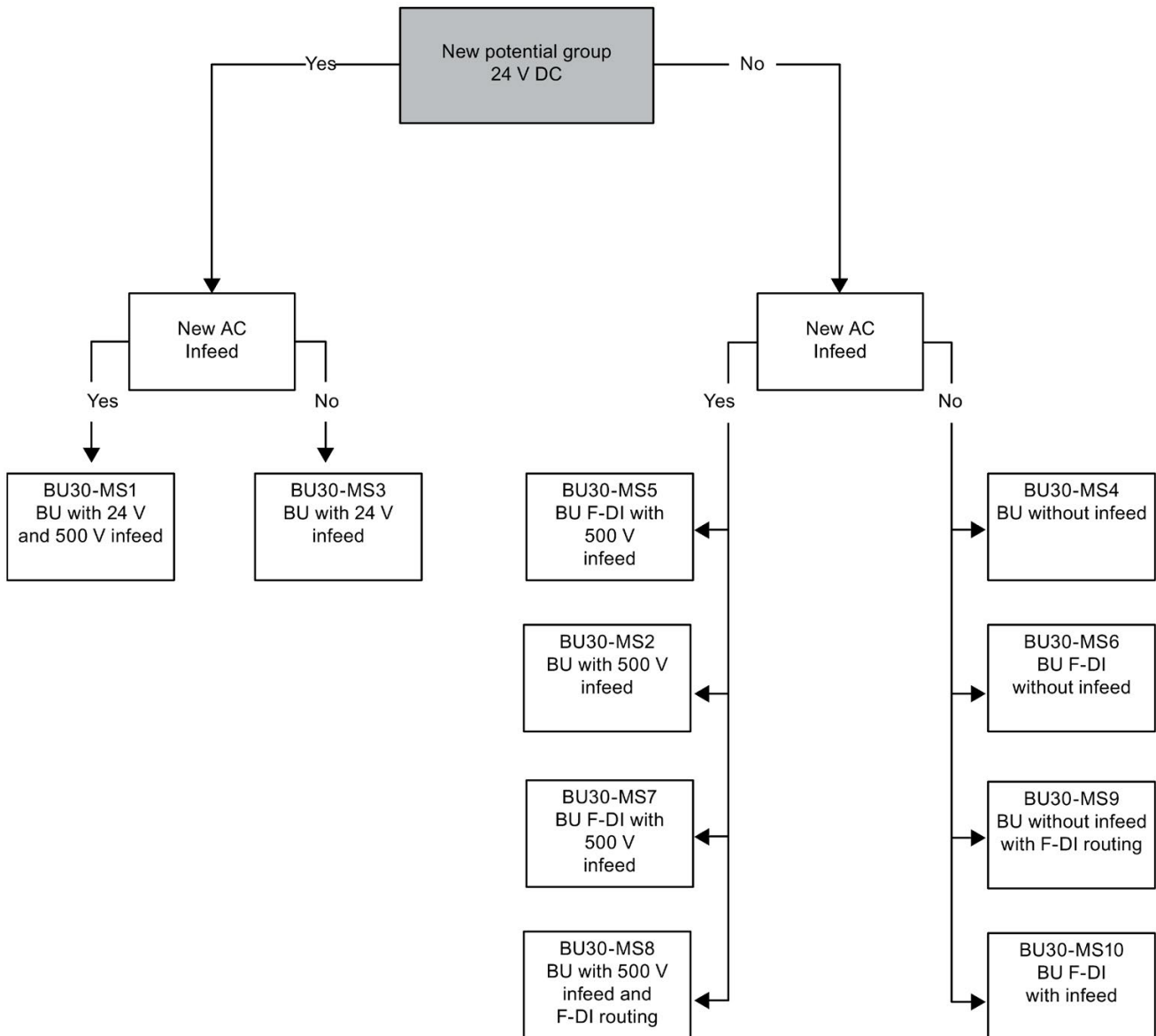
The motor starter BaseUnits "BU30-MS1", "BU30-MS2", "BU30-MS3" and "BU30-MS4" are compatible with all non-fail-safe motor starters. The motor starter BaseUnits "BU30-MS1", "BU30-MS2", "BU30-MS3", "BU30-MS4", "BU30-MS5", "BU30-MS6", "BU30-MS7", "BU30-MS8", "BU30-MS9" and "BU30-MS10" are compatible with all fail-safe motor starters. You will find an overview of available BaseUnits for motor starters here (Page 33). With the different BaseUnits, you can form different potential groups for the 24 V DC electronics supply (L+/M) and for the AC infeed.

Voltage range

The voltage range of the AC infeed is between 48 V AC and 500 V AC.

Selection criteria for the BaseUnit

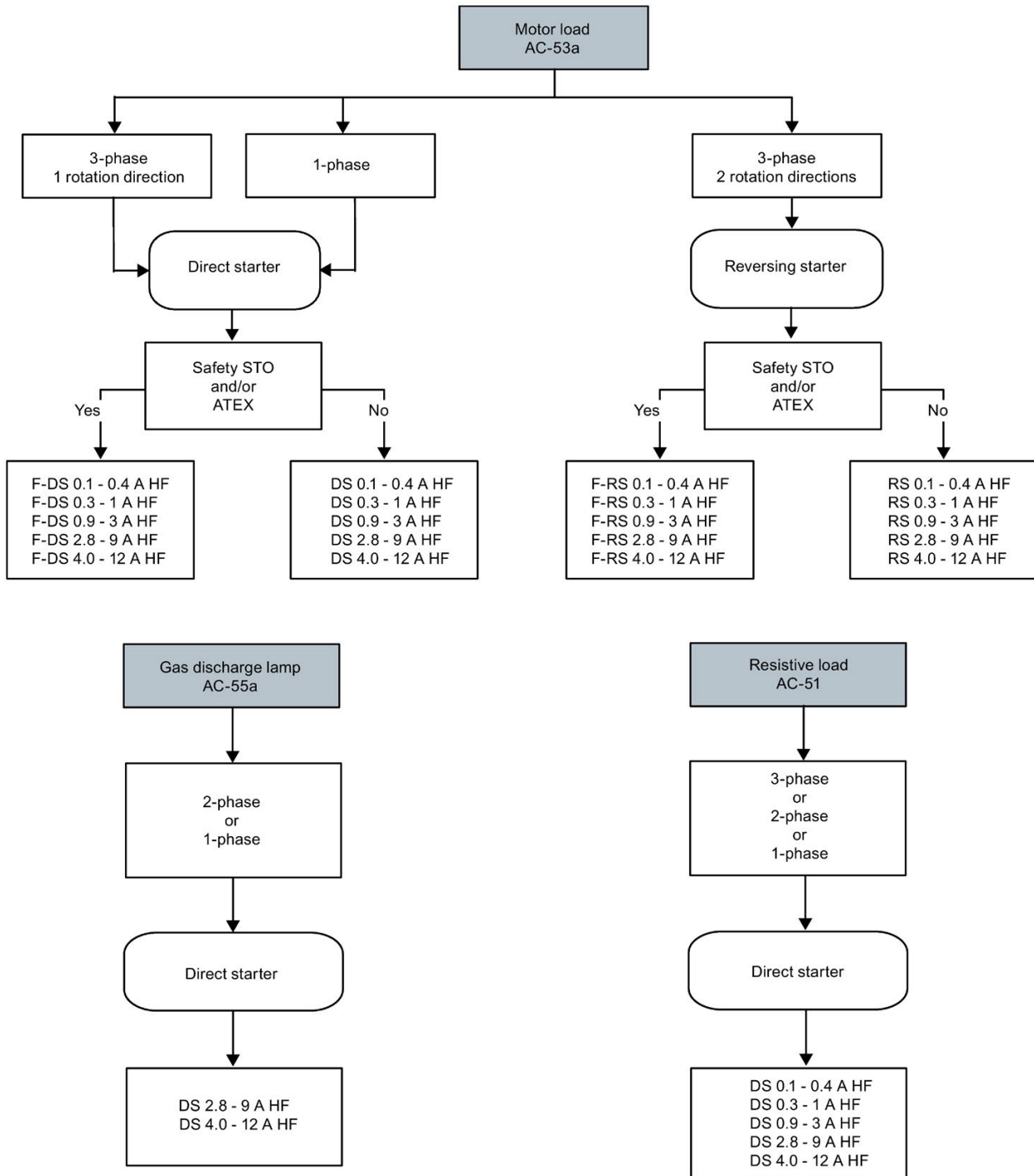
The figure below shows the criteria you use to select the appropriate BaseUnit:



Form separate potential groups on the infeed bus for single-phase (L, N, PE) and three-phase (L1, L2, L3, PE) operation.

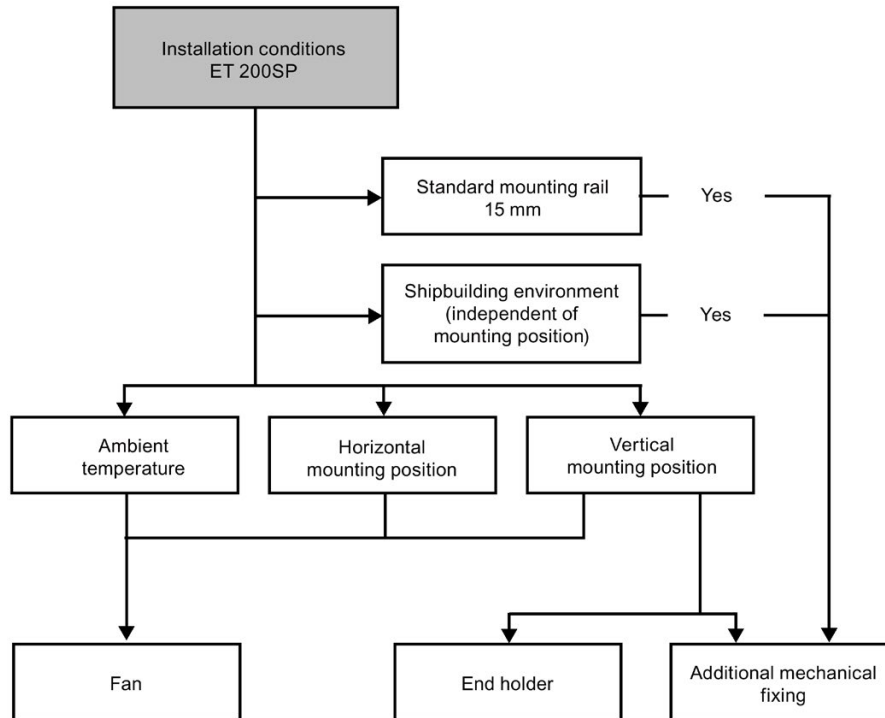
4.2.2 Selecting the motor starter

You select the suitable motor starter using the load type according to the following scheme:



4.2.3 Selecting accessories for motor starters

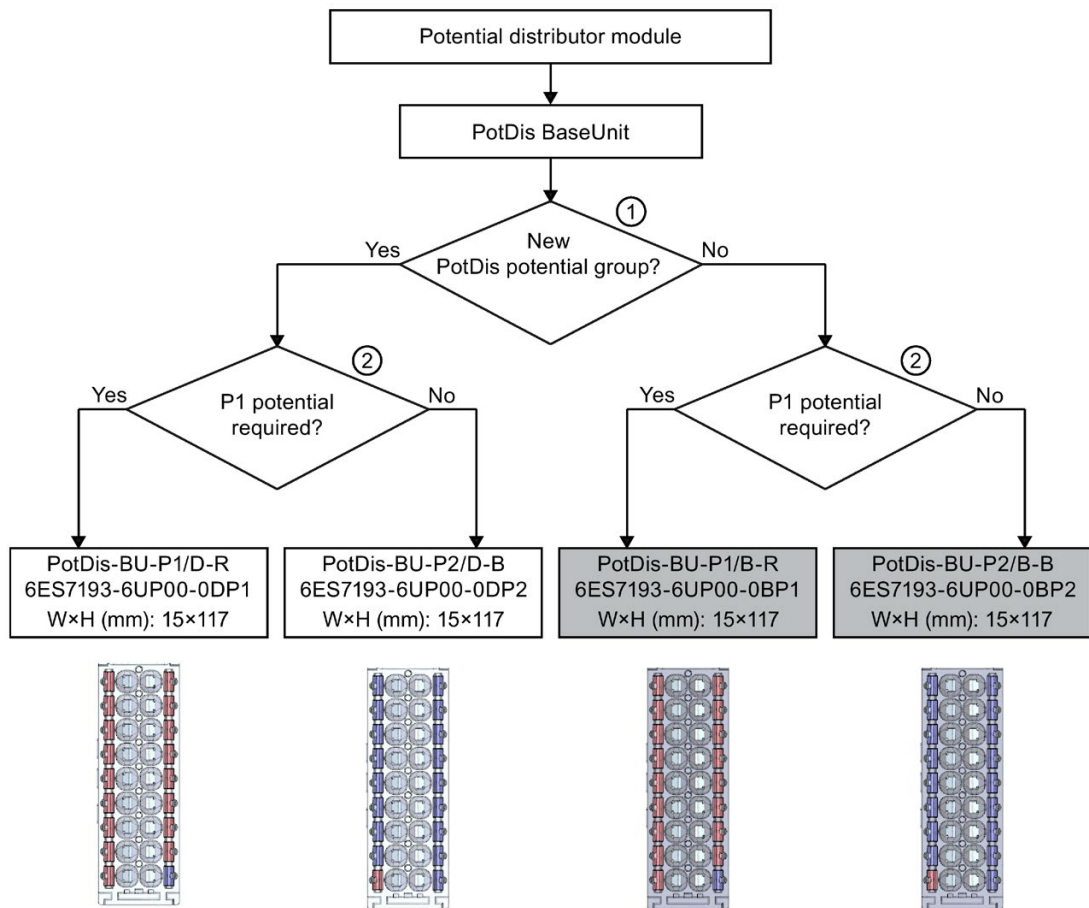
Observe the installation conditions of the station with ET 200SP motor starters. The figure below shows the criteria the station must meet:



4.3 Selecting potential distributor modules

4.3.1 Selecting a PotDis-BaseUnit

Selection of a suitable PotDis-BaseUnit potential distributor module



- ① Light-colored PotDis-BaseUnit: Configuration of a new potential group, electrical isolation from adjacent module on the left. The first BaseUnit of the ET 200SP is usually a light-colored BaseUnit for the incoming supply voltage.
- ② P1 terminal: 16 internally bridged terminals for individual use up to 48 V DC/10 A
Example: Multiple cable connection for DI 16x24VDC ST

Figure 4-3 PotDis-BaseUnits

Please note:

- The potential groups opened with a light-colored PotDis-BU must not contain any I/O modules. You can integrate any dark-colored PotDis-BUs into I/O module potential groups provided they are based on an SELV/PELV supply.
- If you do not need the additional terminals of the PotDis-TB in a potential distributor module, replace the PotDis-TB with a BU cover. You may only connect one potential group within a combination of PotDis-BU and PotDis-TB.
- Only SELV/PELV potentials are permitted on PotDis-BUs. Separate different SELV/PELV potential groups using light-colored PotDis-BUs.
- With potential distributor modules, you may only connect to the PotDis-TB versions BR-W and n.c.-G potential, which exceed the voltage level of SELV/PELV.
- PotDis terminals are not directly configurable as PotDis via GSD/GSDML. When configuring with GSD, always use a dummy module; with GSDML, integrate a free space.

Additional information

Additional information on the potential distributor modules (PotDis-BaseUnits and PotDis-TerminalBlocks) is available in the BaseUnits (<http://support.automation.siemens.com/WW/view/en/59753521>) manual.

4.3.2 Selecting a PotDis-TerminalBlock

Selection of a suitable PotDis-TerminalBlock

With a PotDis-TerminalBlock you are expanding a PotDis-BaseUnit potential distributor module by an additional 18 potential terminals.

You can freely combine PotDis-TerminalBlocks and PotDis-BaseUnits.

The following PotDis-TerminalBlocks are available:

Table 4- 3 Selection of TerminalBlock PotDis-TB

PotDis-TerminalBlocks		
TerminalBlock	Explanation	Application
PotDis-TB-P1-R	Terminal block with 18 terminals with red spring releases with connection to the supply voltage P1 of the PotDis-BaseUnit with SELV/PELV.	Provision of 18 x P1 potential, e.g. for P1 sensor supply with 3-wire connection for 16-channel digital input modules
PotDis-TB-P2-B	Terminal block with 18 terminals with blue spring releases with connection to ground (P2) of the PotDis-BaseUnit	Provision of 18 x P2 potential, e.g. for ground of the sensor supply with 2-wire connection for 16-channel digital output modules
PotDis-TB-n.c.-G	Terminal block with 18 terminals with gray spring releases without connection to each other or to a voltage bus of the PotDis-BaseUnit	Provision of 18 x n.c. (not connected), for reserving ("parking") unused signals/lines, e.g. for antivalent sensors in the same potential group
PotDis-TB-BR-W	Terminal block with 18 terminals connected to each other with white spring releases without connection to a voltage bus of the PotDis-BaseUnit	Provision of 17 terminals with shared potential (the 18th terminal is used for infeed) for supply of external consumers

Additional information

Additional information on the potential distributor modules (PotDis-BaseUnits and PotDis-TerminalBlocks) is available in the BaseUnits

(<http://support.automation.siemens.com/WW/view/en/59753521>) manual.

4.4 Hardware configuration

Maximum mechanical configuration

As soon as **one** of the following rules applies, the maximum configuration of the ET 200SP has been reached:

Table 4- 4 Maximum mechanical configuration

Properties	Rule
Number of modules	<p>Maximum of 12/30/32/64 I/O modules (depending on the CPU used/the interface module used; see CPU (http://support.automation.siemens.com/WW/view/en/90466439/133300) and interface module (http://support.automation.siemens.com/WW/view/en/55683316/133300) manuals)</p> <p>For every 6 F-modules F-RQ 1x24VDC/24..230VAC/5A (6ES7136-6RA00-0BF0), the maximum configuration is reduced by 1 module.</p>
Number of motor starters	Maximum of 31 motor starters
Backplane bus length of the ET 200SP	maximum 1 m mounting width (without CPU/interface module, including server module)

Electrical maximum configuration for I/O modules

The number of operable I/O modules of a potential group is limited by the following factors:

- Power consumption of the I/O modules
- Power consumption of the components supplied via these I/O modules

The maximum current carrying capacity of the terminals on the BaseUnit L+/M is 10 A. Current carrying capacity refers to the current load via the power bus and the infeed bus of the ET 200SP station. Consider the current carrying capacity when using a motor starter.

Maximum electrical configuration for motor starter power bus (24 V DC)

To determine the current requirement of an individual motor starter via the power bus, take account of the following parameters:

- Current consumption via DC infeed in the ON state
- Current consumption via DC infeed when switching on (40 ms peak load)
- Increased power consumption through fan operation
- Current requirement via encoder supply of the connected DI module

The maximum current carrying capacity of the 24 V potential group is 7 A across the entire permissible temperature range.

Maximum electrical configuration for motor starter infeed bus (500 V AC)

To determine the current requirement of an individual motor starter via the infeed bus, proceed as follows:

Calculate the current requirement via the main current paths of the individual motor starter. In doing so, take into account the parameter I_e (set rated operational current of the motor starter). The permissible overload characteristics of the motor feeder for motors are determined with the thermal motor model. You calculate the current value ($I_{\text{infeed bus}}$) for the infeed bus of the ET 200SP system according to the following formula:

$$I_{\text{infeed bus}} = \sum_n (I_e * 1.125)$$

n = number of motor starters of a potential group on the infeed bus

Refer to the Manual (<https://support.industry.siemens.com/cs/ww/en/view/109479973>) for details of how to assign the basic rated operational current I_e parameter.

The following values apply for the potential group of the AC infeed:

- The maximum current carrying capacity is 32 A at an ambient temperature of up to 50 °C.
- The maximum current carrying capacity is 27 A at an ambient temperature of up to 60 °C.
- The maximum current carrying capacity for applications according to UL requirements is 24 A at an ambient temperature of up to 60 °C.

Address space

The address space depends on the CPU/interface module (see CPU (<http://support.automation.siemens.com/WW/view/en/90466439/133300>) Manual) and the interface module used (see Interface module (<http://support.automation.siemens.com/WW/view/en/55683316/133300>) Manual):

- For PROFINET IO: Dependent on the IO controller/IO device used
- For PROFIBUS DP: Dependent on the DP master used

4.5 Forming potential groups

4.5.1 Basics

Introduction

Potential groups for the ET 200SP distributed I/O system are formed by systematically arranging the BaseUnits.

Requirements

For formation of potential groups, the ET 200SP distinguishes between the following BaseUnits:

- BaseUnits BU...D (recognizable by the light-colored terminal box and the light-colored mounting rail release button):
 - Opening of a new potential group (power busbar and AUX bus are interrupted to the left)
 - Feeding in the supply voltages (DC or AC) up to an infeed current of 10 A, depending on the BaseUnit used.
- BaseUnits BU...B (recognizable by the dark-colored terminal box and the dark-colored mounting rail release button):
 - Conduction of the potential group (power busbar and AUX bus continued)
 - Tapping the supply voltages (DC or AC) for external components or looping through with a maximum total current of 10 A, depending on the BaseUnit used.
- BaseUnits BU30-MSx (BaseUnit for the motor starter only)

Depending on the version, the BaseUnits in the "BU30-MSx" model series possess the following properties:

 - Opening a new potential group or continuing an existing one
 - Feeding in the supply voltage L+ up to an infeed current of 7 A DC
 - Opening a new load group or continuing an existing one by means of 500 V AC infeed bus
 - Feeding in the line voltage up to an infeed current of 32 A AC
 - Feeding in and routing the F-DI signal

Note

The BaseUnits BU...B of type B1 and D0 loop through the voltage buses P1/P2 and the AUX bus. The buses are not tapped by the module.

Placement and grouping of I/O modules

Each BaseUnit BU...D that you install in the ET 200SP configuration opens a new potential group and supplies all subsequent I/O modules (on BaseUnits BU...B) with the necessary supply voltage. The first 24 V DC I/O module to the right of the CPU/interface module must be installed on a light-colored BaseUnit BU...D. Exception: If you insert an AC I/O module or an AI Energy Meter as the first I/O module, the first BaseUnit in the ET 200SP configuration can be a dark-colored BaseUnit. The requirement is that you use a CPU or IM 155-6 (as of V3.0).

If you want to place another BaseUnit BU...B after a BaseUnit BU...D, disconnect the power and AUX buses and open a new potential group at the same time. This allows individual grouping of the supply voltages.

Note

All BaseUnits placed in a load group must match the infeed potential of the corresponding light-colored BaseUnits.

Do not connect any BaseUnit of the "BU...B" type on the right of a motor starter's BaseUnit (BU30-MSxx).

Placing and connecting potential distributor modules

Potential distributor modules provide potential distributors integrated into the system that you can use to configure a rapid, space-saving customized replacement for standard potential distribution systems.

You can place potential distributor modules at any location within the ET 200SP distributed I/O system. To do so, you must observe the same design rules as for placing and connecting I/O modules. Potential distributor modules are only suitable for SELV/PELV.

A potential distributor module consists of a potential distributor BaseUnit (PotDis-BU) and (if necessary) a potential distributor TerminalBlock (PotDis-TB) plugged onto it. If you do not need the additional terminals of the PotDis-TB, install a BU cover (15 mm) on the PotDis-BaseUnit.

You must not place a BaseUnit for I/O modules in a PotDis potential group formed with a light-colored PotDis-BaseUnit.

Note

Identical voltages with potential distributor modules

You can only connect identical (supplied) voltages with to the terminals of a potential distributor module or PotDis potential group. Example: You only connect 24 V DC.

Placement and grouping of I/O modules and motor starters

For the potential group (L+/M), the following slot rules apply within the motor starter modules and other I/O modules of the ET 200SP:

- An unassembled BaseUnit (BaseUnit with BU cover) must be inserted between the CPU, an interface module or an I/O module and the motor starter. This is not necessary between the motor starters.
- The empty slot can take on the potential (24 V DC) of the potential group on the left of it (L+, M), i.e. I/O modules and motor starters can be operated in the same potential group.
- If you would like to insert an I/O module on the right of a motor starter, then use only one BaseUnit of the BU...D Typ A0 type (light terminal box).
- The BaseUnits BU30-MS2, BU30-MS4, BU30-MS5, BU30-MS6, BU30-MS7, BU30-MS8, BU30-MS9 and BU30-MS10 can continue the potential group of other BaseUnit types. However, note the following exceptions:
 - Only a BaseUnit of type BU30-MS1 or BU30-MS3 may follow an AS-i module (AS-i potential group).
 - Only BaseUnits with fail-safe motor starters can be connected together in the same potential group of an F-PM-E.



WARNING

**Hazardous Voltage
Can Cause Death, Serious Injury, or Property Damage.**

Hazardous electrical voltage can cause electric shock, burns and property damage.

Disconnect your system and devices from the power supply before starting any assembly tasks.

AUX bus (AUX(iliary) bus)

BaseUnits with additional AUX terminals (e.g. BU15-P16+A10+2D) enable the additional connection of a potential (up to the maximum supply voltage of the module), which is applied via the AUX bus.

In the case of light-colored BaseUnits, the AUX bus is interrupted to the left. In the case of BaseUnits BU30-MS1 to BU30-MS7 and BU30-MS10, the AUX bus is interrupted to the left. The AUX bus of BU30-MS8 and BU30-MS9 is used for F-DI routing.

The AUX bus can be used individually:

- As a PE bar, in which case you may plug a maximum of 8 BaseUnits in the corresponding potential group
- For additionally required voltage

NOTICE

AUX bus as PE bar

If you use an AUX bus as a protective conductor bar, attach the yellow-green color identification labels to the AUX terminals, and establish a functional connection to the central protective conductor connection.

If you stop using the AUX bus as a protective conductor bar, make sure you remove the yellow-green color identification labels and remove the connection to the central protective conductor connection again.

The AUX bus is designed as follows:

- Maximum current carrying capacity (at 60 °C ambient air temperature): 10 A
- Permissible voltage: Depending on the BaseUnit type (see BaseUnit manual (<http://support.automation.siemens.com/WW/view/en/59753521>))

Note

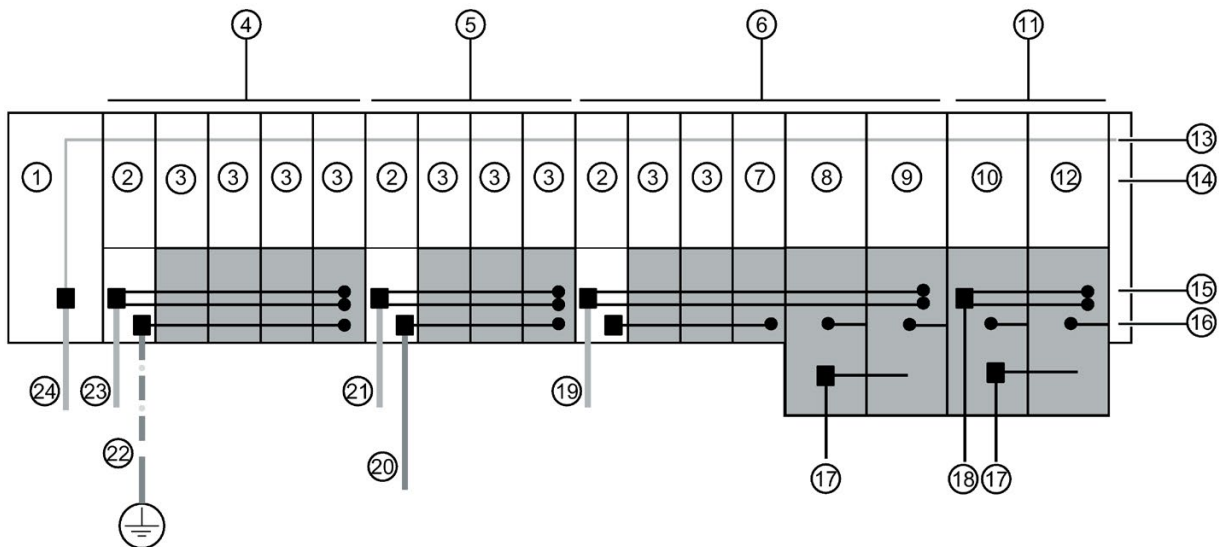
The AUX potential must always be identical to the potential group of the supply voltage if it is not being used as PE.

Self-assembling voltage buses

You must feed in the supply voltage L+ via the BaseUnit BU...D, BU30-MS1 or BU30-MS3 .

Each BaseUnit BU...B allows access to the supply voltage L+ via terminals (red/blue). The motor starter BaseUnits "BU30-MS1", "BU30-MS2", "BU30-MS3", "BU30-MS4", "BU30-MS5", "BU30-MS6", "BU30-MS7", "BU30-MS8", "BU30-MS9" and "BU30-MS10" do not have this access.

Operating principle



- | | | | |
|----|-----------------------------------|----|---|
| 1 | CPU/interface module | 14 | Server module |
| 2 | BaseUnit BU...D | 15 | Self-assembling voltage buses P1/P2 |
| 3 | BaseUnit BU...B | 16 | AUX bus |
| 4 | Potential group 1 | 17 | Infeed bus 500 V AC (L1, L2(N), L3, PE) |
| 5 | Potential group 2 | 18 | Supply voltage L+ |
| 6 | Potential group 3 | 19 | Supply voltage L+ (3) |
| 7 | BaseUnit BU...B with dummy module | 20 | Additionally required voltage |
| 8 | BaseUnit BU30-MS2 | 21 | Supply voltage L+ (2) |
| 9 | BaseUnit BU30-MS4 | 22 | Protective conductor (green/yellow) |
| 10 | BaseUnit BU30-MS1 | 23 | Supply voltage L+ (1) |
| 11 | Potential group 4 | 24 | Supply voltage 1L+ |
| 12 | BaseUnit BU30-MS4 | | |
| 13 | Backplane bus | | |

Figure 4-4 Placing the BaseUnits

Connecting different potentials to the power or AUX bus

Note

If you apply different potentials to the power or AUX bus within an ET 200SP station, you need to separate the potential groups with a BaseUnit BU...D.

4.5.2 Forming potential groups with BaseUnit type B1

Introduction

The AC I/O modules of the ET 200SP are required to connect sensors/actuators with alternating voltage 24 to 230 V AC.

Requirements

BaseUnits BU20-P12+A0+4B (BU type B1) and

- DI 4x120..230VAC ST digital input module
- DQ 4x24..230VAC/2A ST digital output module

Operating principle

Connect the needed module-dependent alternating voltage for the AC I/O modules directly to the BaseUnits BU20-P12+A0+4B (terminals 1L, 2L/1N, 2N). Insert the AC I/O modules on the BaseUnits.

Note

Placing the BaseUnits for AC I/O modules

If you insert an AC I/O module as the first I/O module, then a BaseUnit BU20-P12+A0+4B can also be the first BaseUnit to the right of the CPU/interface module in the ET 200SP configuration.

The requirement is that you use a CPU as of V3.0 or IM 155-6 (as of V3.0).

- The BaseUnits BU20-P12+A0+4B do not monitor the connected alternating voltage. Please note the information on limiting the overvoltage and power rating in the AC I/O module manuals.
 - Pay attention to the type of the BaseUnits during configuration.
-

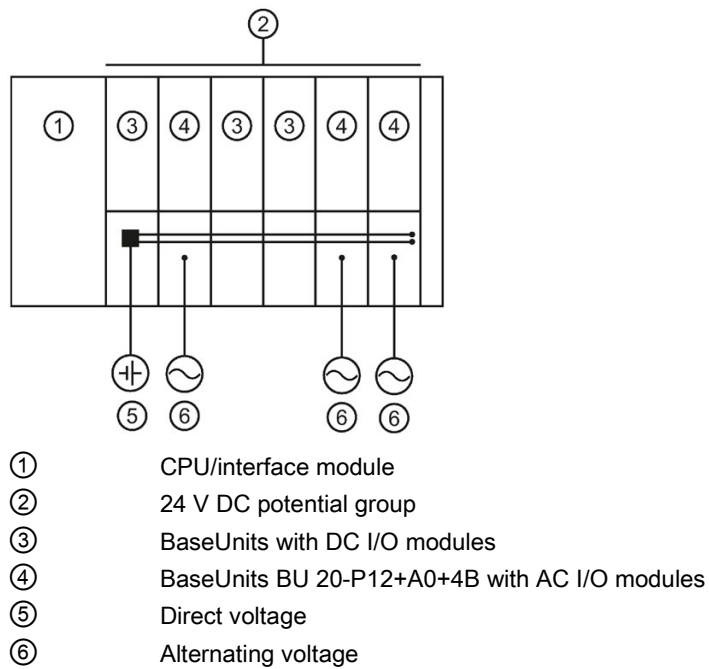


Figure 4-5 Placing the BaseUnits for the AC I/O modules

4.5.3 Forming potential groups with fail-safe modules

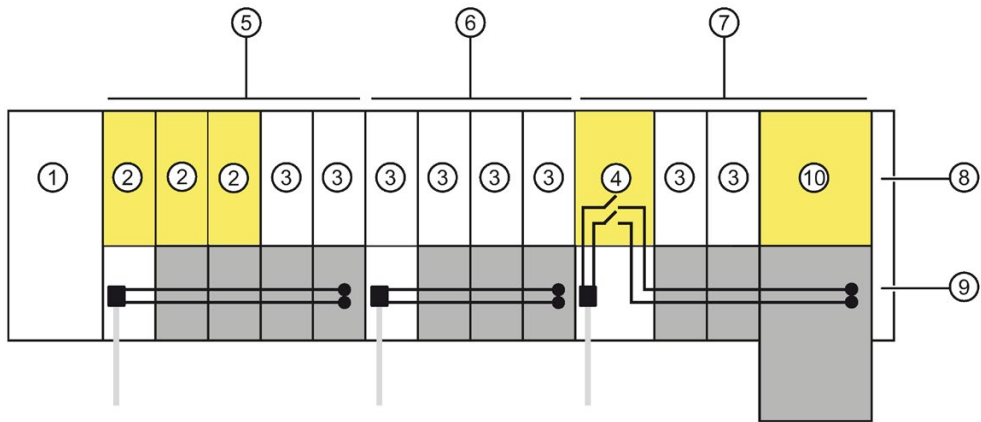
Introduction

ET 200SP distributed I/O systems can be configured using fail-safe and non-fail-safe modules. This chapter provides an example of a mixed configuration comprising fail-safe and non-fail-safe modules.

Example of an ET 200SP configuration with fail-safe and non-fail-safe modules

In principle, it is not necessary to operate fail-safe and non-fail-safe modules in separate potential groups. You can divide the modules into fail-safe and non-fail-safe potential groups and install them.

The figure below shows an example of a configuration with fail-safe and non-fail-safe modules within a single ET 200SP distributed I/O system.



- ① IM 155-6 PN HF interface module
- ② F-module
- ③ Non-fail-safe module
- ④ Power module F-PM-E 24VDC/8A PPM ST
- ⑤ Mixed fail-safe and non-fail-safe potential group with BaseUnits BU15..D and BU15..B.
You achieve SIL3/Cat. 4/PLe for the fail-safe modules. No safety category can be achieved with the non-fail-safe motor starter.
- ⑥ Non-fail-safe potential group with BaseUnits BU15..D and BU15..B
- ⑦ Fail-safe potential group with BaseUnits BU20..D, BU15..B and BU30-MSx.
Up to SIL2/Cat. 3/PLd is possible if you disconnect the self-assembling voltage bus and thus the non-failsafe modules.
- ⑧ Server module
- ⑨ Self-assembling voltage buses P1/P2
- ⑩ Fail-safe motor starter F-DS HF

Figure 4-6 ET 200SP - example of a configuration with fail-safe modules

4.5.4 Forming potential groups with motor starters

Overview of the functions of the BaseUnits

	24 V infeed	24 V continuation from left module	24 V transmission	500 V infeed	500 V continuation from left module	500 V transmission	F-DI infeed	F-DI continuation from left module	F-DI routing
3RK1908-0AP00-0AP0	✓	--	✓	✓	--	✓	--	--	--
3RK1908-0AP00-0CP0	--	✓	✓	✓	--	✓	--	--	--
3RK1908-0AP00-0BP0	✓	--	✓	--	✓	✓	--	--	--
3RK1908-0AP00-0DP0	--	✓	✓	--	✓	✓	--	--	--
3RK1908-0AP00-0EP0	--	✓	✓	✓	--	✓	✓	--	--
3RK1908-0AP00-0FP0	--	✓	✓	--	✓	✓	✓	--	--
3RK1908-0AP00-0GP0	--	✓	✓	✓	--	✓	✓	--	✓
3RK1908-0AP00-0HP0	--	✓	✓	✓	--	✓	--	✓	✓
3RK1908-0AP00-0JP0	--	✓	✓	--	✓	✓	--	✓	✓
3RK1908-0AP00-0KP0	--	✓	✓	--	✓	✓	✓	--	✓

✓ Function available

-- Function not available

Properties of the 500 V AC infeed bus

The infeed bus has the following properties:

- The infeed bus is assembled by lining up the motor starter BaseUnits "BU30-MSx".
- The infeed bus distributes the energy to the SIMATIC ET 200SP motor starter within one load group.
- You can open load groups by plugging in a 500 V infeed BaseUnit (BU30-MS1, BU30-MS2, BU30-MS5, BU30-MS7 or BU30-MS8). With BaseUnits BU30-MS3, BU30-MS4, BU30-MS6, BU30-MS9 or BU30-MS10, you can continue the infeed bus from the left BaseUnit.
- Via the infeed bus, you have the option of supplying three-phase load groups via L1, L2 and L3 or with single-phase load groups via L and N.
- The permissible voltage range is between 48 and 500 V AC.
- The maximum current carrying capacity is up to 32 A (3-phase) at 50 °C and 500 V. Pay attention to the derating values depending on the configuration.

Properties of the self-assembling voltage bus (L+)

Self-assembling voltage buses have the following properties:

- Maximum current: 7 A
- Rated voltage: 24 V

Pay attention to the derating values depending on the configuration.

The AUX1 bus is not supported in the BaseUnits of the SIMATIC ET 200SP motor starters. The AUX1 bus is used in ET 200SP motor starters for routing the F-DI signal in BU30-MS7 to BU30-MS10.

WARNING

Electric shock when operating the infeed bus without touch protection cover

There is a risk of electric shock when touching the infeed bus if you have not fitted a touch protection cover on the infeed bus on the right.

Always fit a touch protection cover on the infeed bus on the right (article number: 3RK1908-1DA00-2BP0).

WARNING

Electric shock when operating a BaseUnit without an inserted motor starter

If you fit a BaseUnit for motor starters without cover (e.g. option handling), there is a risk of an electric shock when touching the BaseUnit.

Always fit a cover on the BaseUnit (article number: 3RK1908-1CA00-0BP0).

Requirements

Use the following devices to form potential groups with motor starters:

- BaseUnits BU30-MSx
- 3RK1308-0xx00-0CP0 motor starters

Operating principle

Feed in the supply voltage L+ via the BaseUnit BU30-MS1 and BU30-MS3 at the 24V DC and M terminals.

You can operate the motor starter on a single-phase (L1, N, PE) or a three-phase (L1, L2, L3, PE) AC voltage system. You connect the required AC voltage directly to the BaseUnits BU30-MSx (terminals L1, L2(N), L3, PE). You plug the motor starter onto the BaseUnits.

Note

The motor starters' AC power supply is not connected to the AC power supply for the AC I/O modules (see Chapter "Forming potential groups with BaseUnit type B1 (Page 54)").

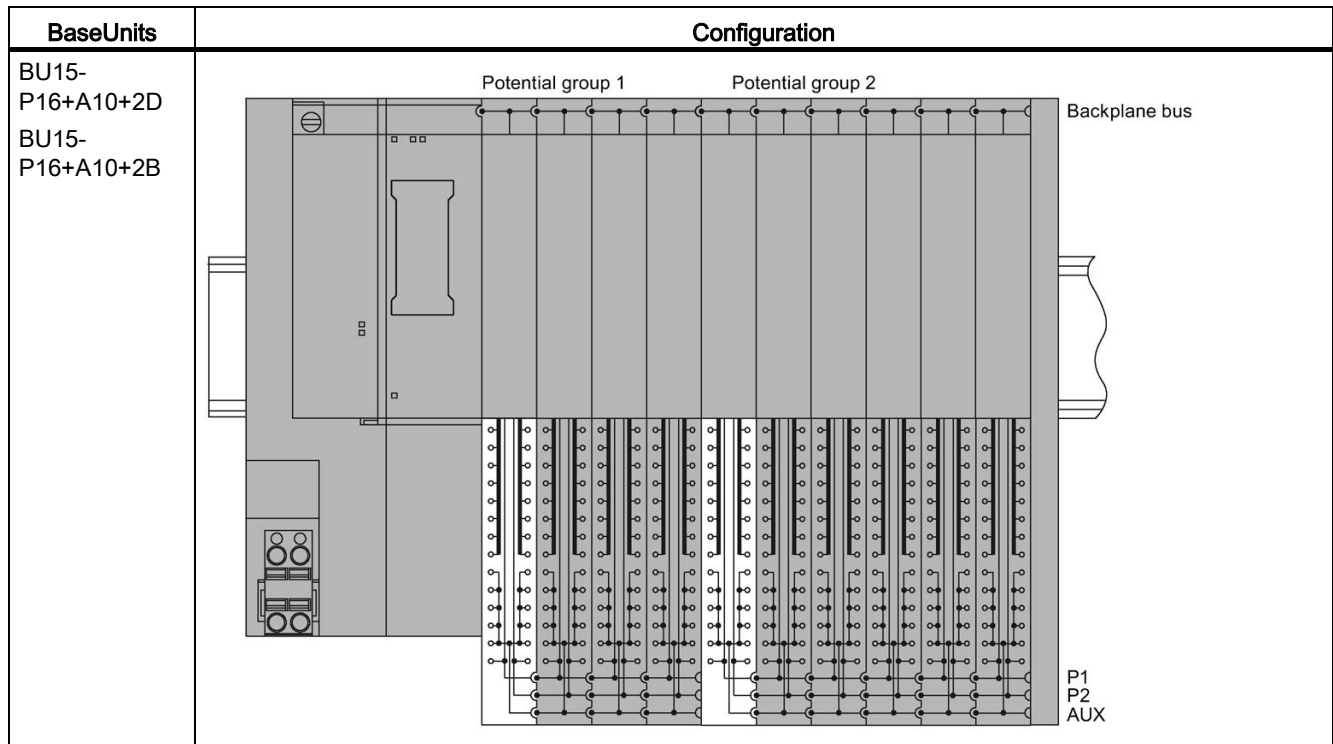
4.6 Configuration examples for potential groups

4.6.1 Configuration examples with BaseUnits

Table 4- 5 Configuration examples with BaseUnits

BaseUnits	Configuration
BU15- P16+A0+2D BU15- P16+A0+2B	<p>Potential group 1 Potential group 2</p> <p>Backplane bus</p> <p>P1 P2 AUX</p>
BU15- P16+A0+2D BU15- P16+A0+2B BU20- P12+A0+0B	<p>Potential group 1 Potential group 2</p> <p>Backplane bus</p> <p>P1 P2 AUX</p>

4.6 Configuration examples for potential groups



4.6.2 Configuration examples with potential distributor modules

3-wire connection

The potential distributor modules allow for a space-saving design. For a 3-wire connection, you can, for example, replace two digital input modules with 8 channels on a 141 mm long BaseUnit with a digital input module with 16 channels and a potential distributor module, each of which is only 117 mm long.

Note

You must not place a BaseUnit for I/O modules in a PotDis potential group formed with a light-colored PotDis-BaseUnit.

The figure below shows a configuration example with a DI 16×24VDC ST digital input module on a BU15-P16+A0+2B BaseUnit and a PotDis-TerminalBlock PotDis-TB-P1-R on a PotDis-BaseUnit PotDis-BU-P2/B-B.

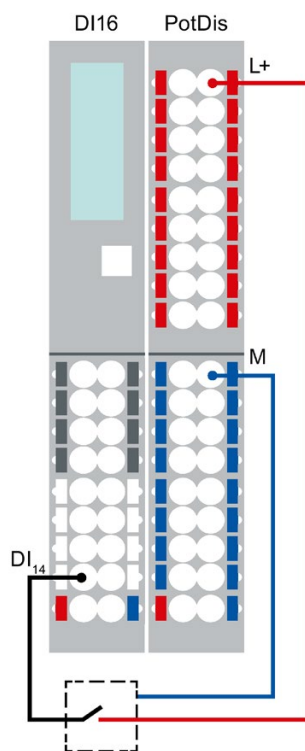


Figure 4-7 Example: 3-wire connection

Supply of external components

Another application of the potential distributor modules is the supply of potentials for external components. Potential distributor modules enable simple, compact, integrated and clear design.

Observe the current carrying capacity of each terminal: max. 10 A.

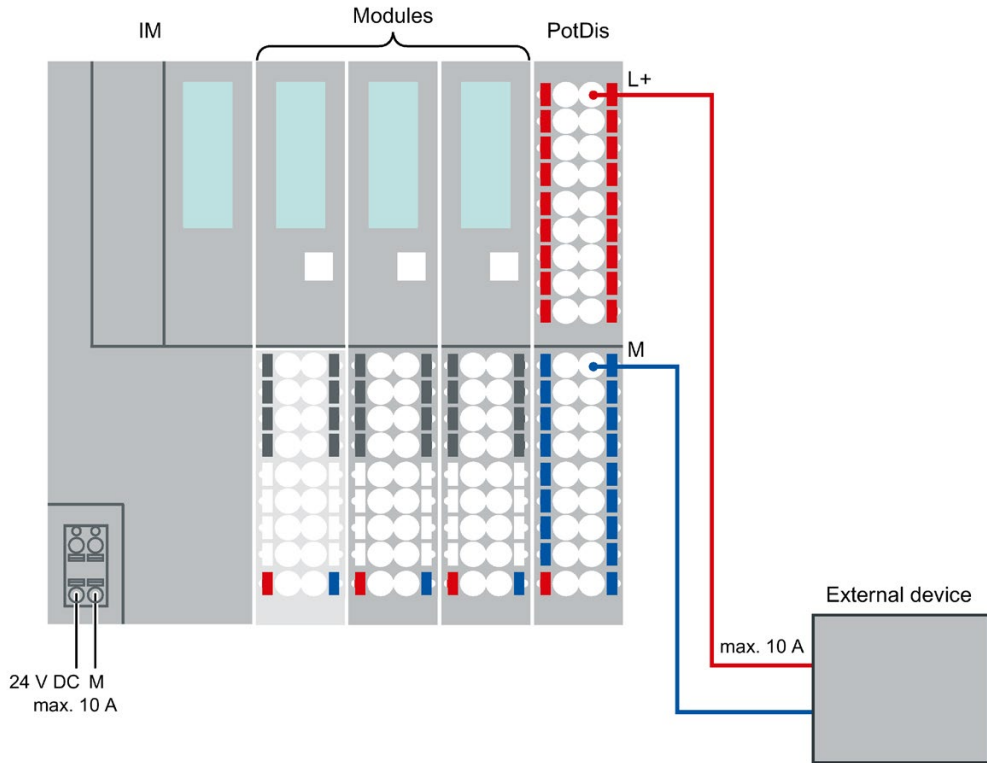


Figure 4-8 Example: Supply of external components

Installation

5.1 Basics

Introduction

All modules of the ET 200SP distributed I/O system are open equipment. This means you may only install the ET 200SP distributed I/O system in housings, cabinets or electrical operating rooms and in a dry indoor environment (degree of protection IP20). The housings, cabinets and electrical operating rooms must guarantee protection against electric shock and spread of fire. The requirements regarding mechanical strength must also be met. The housings, cabinets, and electrical operating rooms must not be accessible without a key or tool. Personnel with access must have been trained or authorized.

Installation location

Install the ET 200SP distributed I/O system in a suitable enclosure/control cabinet with sufficient mechanical strength and fire protection. Take into account the environmental conditions for operating the devices.

Mounting position

You can mount the ET 200SP distributed I/O system in any position. The preferred mounting position is horizontal mounting on a vertical wall.

The ambient temperature may be restricted in certain installation positions. You will find more information in the section Mechanical and climatic environmental conditions (Page 282).

Pay attention to chapter "Installation conditions for motor starters (Page 67)" when using motor starters.

Mounting rail

Mount the ET 200SP distributed I/O system on a mounting rail in accordance with EN 60715 (35 × 7.5 mm or 35 × 15 mm).

You need to ground the mounting rail separately in the control cabinet. Exception: If you install the rail on grounded, zinc-plated mounting plates, there is no need to ground the rail separately.

Note

If the ET 200SP distributed I/O system is exposed to vibration and shock loads, both ends of the ET 200SP system assembly must be mechanically fixed to the mounting rail (e.g using 8WA1010-1PH01 ground terminals). This measure prevents the ET 200SP distributed I/O system from shifting to the side.

Note

If the ET 200SP distributed IO system is exposed to increased vibrations and shock, we recommend that you screw the mounting rail to the mounting surface at intervals of approx. 200 mm.

The following are suitable surfaces for the mounting rails:

- Steel strip in accordance with Appendix A of EN 60715 or
- Tinned steel strip. We recommend these in conjunction with the mounting rails in the section Accessories/spare parts (Page 291).

Note

If you use mounting rails from other manufacturers, make sure that they have the required properties for your ambient climatic conditions.

Minimum clearances

The figure below shows the minimum clearances you must observe when installing or dismantling the ET 200SP distributed I/O system.

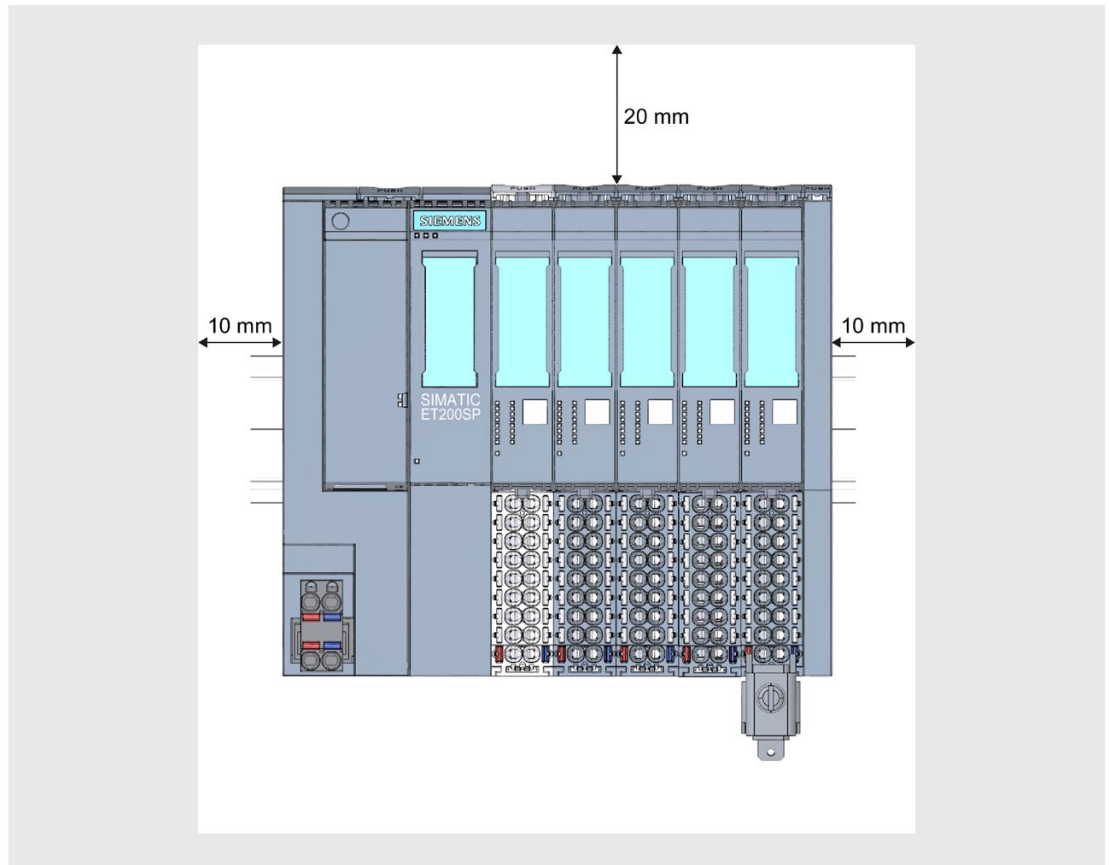


Figure 5-1 Minimum clearances

General rules for installation



! WARNING
Hazardous Voltage Can Cause Death, Serious Injury, or Property Damage.
Hazardous electrical voltage can cause electric shock, burns and property damage.
Disconnect your system and devices from the power supply before starting any assembly tasks.

Observe the following rules:

- Installation starts on the left-hand side with the CPU/interface module.
- A light-colored BaseUnit BU..D0, BU30-MS1 or BU30-MS3 with infeed of supply voltage L+ follows the CPU/interface module or is placed at the start of each potential group. If you use a CPU or IM 155-6 (V3.0 or higher), the first BaseUnit in the installation of the ET 200SP may also be a dark-colored BaseUnit of type B1 or D0.
- This is followed by BaseUnits BU..B, BU30-MS2 or BU30-MS4 (with a dark-colored terminal box).
- The matching I/O modules / motor starters can be plugged onto the BaseUnits. You will find matching combinations of BaseUnits and I/O modules / motor starters in Application planning (Page 33).
- The server module completes the configuration of the ET 200SP distributed I/O system.

Note

Mount the ET 200SP distributed I/O system only with disconnected supply voltage.

! WARNING
Protection from conductive contamination
Taking into account the environmental conditions, the devices must be protected from conductive contamination.
This can be achieved, for example, by installing the devices in a control cabinet with the appropriate degree of protection.

5.2 Installation conditions for motor starters

Observe the following installation conditions when using an ET 200SP motor starter:

- Mounting position

You can fit the motor starter vertically or horizontally. The mounting position refers to the alignment of the mounting rail. The maximum permissible ambient temperature range depends on the mounting position:

- Up to 60° C: Horizontal mounting position
- Up to 50° C: Vertical installation position

You also need to consider the current carrying capacity of the ET 200SP components.

In the case of a vertical mounting position, use end retainers "8WA1808" at both ends of the ET 200SP station:

- Mounting rail

Use one of the following mounting rails:

- 35x15 mm DIN rail in accordance with DIN EN 60715
- 35x7.5 mm DIN rail in accordance with DIN EN 60715
- SIMATIC S7 mounting rail

- Current carrying capacity of the ET 200SP station

Current carrying capacity refers to the current load via the power bus and the infeed bus of the ET 200SP station.

Depending on the ambient conditions and mounting position, you have to take account of the fan unit or additional mechanical fixings.

Mechanical brackets

Use the mechanical brackets in the following situations:

- When using a 15 mm mounting rail with a single motor starter installation, i.e. no motor starter mounted directly next to it in the system
- With a vertical mounting position
- For applications according to shipbuilding standards in all mounting positions with 7.5 mm and 15 mm mounting rails

Designing interference-free motor starters

For interference-free operation of the ET 200SP station in accordance with standard IEC 60947-4-2, use a dummy module before the first motor starter. No dummy module is required to the right of the motor starter.

Note the following mounting rules:

Use the following dummy module on the standard mounting rail between the previous module and the SIMATIC ET 200SP motor starter:

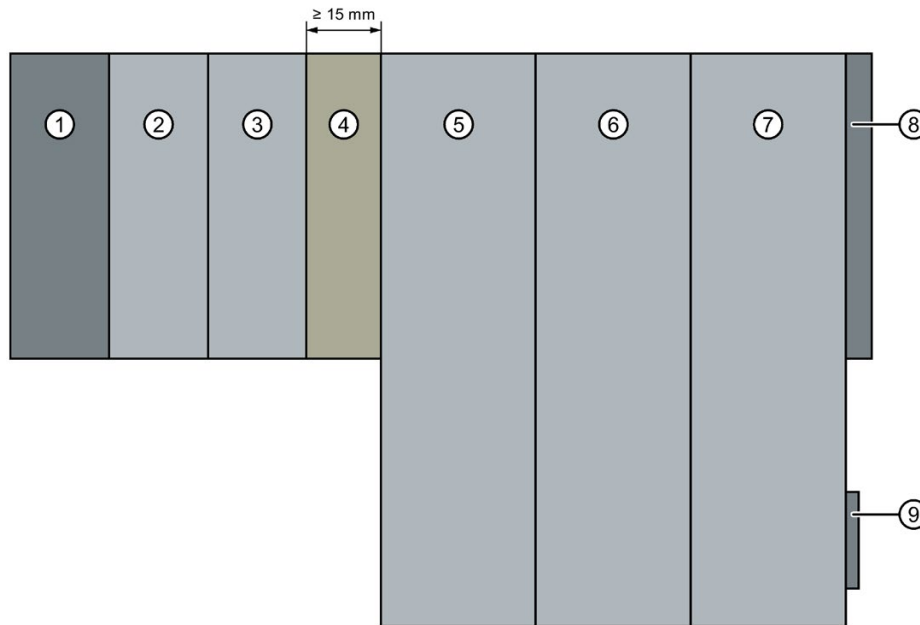
BU cover 15 mm: 6ES7133-6CV15-1AM0 with BaseUnit 6ES7193-6BP00-0BA0

For operation of the ET 200SP station with an unused BaseUnit, a cover must be provided for the open BaseUnit plug contacts (power connector, power bus connector, and backplane bus connector).

The cover protects the plug contacts against dirt. The BU cover can be ordered as an accessory.

Mount the dummy module

The figure below provides a schematic representation of how to implement measures for improving interference immunity.



- ① Interface module
- ② Digital input module
- ③ Digital output module
- ④ Dummy module
- ⑤ Motor starter
- ⑥ Motor starter
- ⑦ Motor starter
- ⑧ Server module
- ⑨ Infeed bus cover

NOTICE**Ensure interference immunity**

You must not plug any other module into the BaseUnit of the dummy module, otherwise interference immunity is no longer ensured.

5.3 Mounting the CPU/interface module

Introduction

The CPU/the interface module connects the ET 200SP distributed I/O system to the fieldbus and exchanges the data between the higher-level control system and the I/O modules / motor starters.

Requirement

The mounting rail is fitted.

Required tools

3 to 3.5 mm screwdriver (only for mounting and removing the BusAdapter)

Mounting the CPU/interface module

Watch the video sequence (<http://support.automation.siemens.com/WW/view/en/95886218>)

To install a CPU/interface module, follow these steps:

1. Install the CPU/interface module on the mounting rail.
2. Swivel the CPU/interface module towards the back until you hear the mounting rail release button click into place.

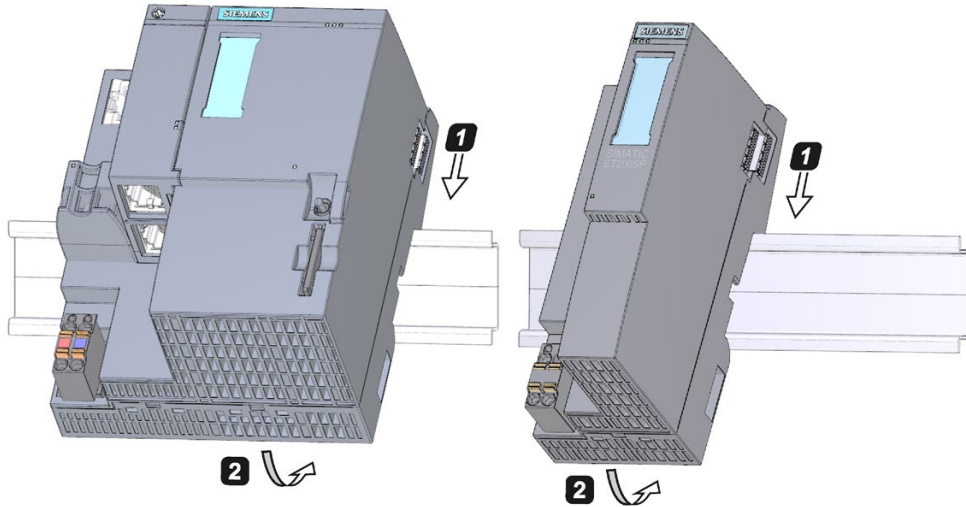


Figure 5-2 Mounting the CPU/interface module

Dismantling the CPU/interface module

The CPU/interface module is wired and BaseUnits are located to its right.

To remove the CPU/interface module, follow these steps:

1. Switch off the supply voltage for the CPU/interface module. Remove the 24 V DC connector from the CPU/interface module.
2. Press the mounting rail release button on the first BaseUnit. At the same time, shift the CPU/interface module parallel to the left until it detaches from the rest of the module group.

Note: The mounting rail release button is located above the CPU/interface module or BaseUnit.

3. While pressing the mounting rail release button on the CPU/interface module, swivel the CPU/interface module off of the mounting rail.

Note

It is not necessary to remove the BusAdapter from the CPU/interface module.

5.4 Installing the CM DP communication module

Introduction

You need the CM DP communication module to use the CPU with a DP master or DP slave.

Requirements

- The mounting rail is fitted.
- The CPU is installed.

Installing CM DP

To install the CM DP communication module, follow these steps:

1. Install the CM DP to the right of the CPU.
2. Swivel the CM DP towards the back until you hear the mounting rail release button click into place.
3. Slide the CM DP to the left until you hear it click into the CPU.

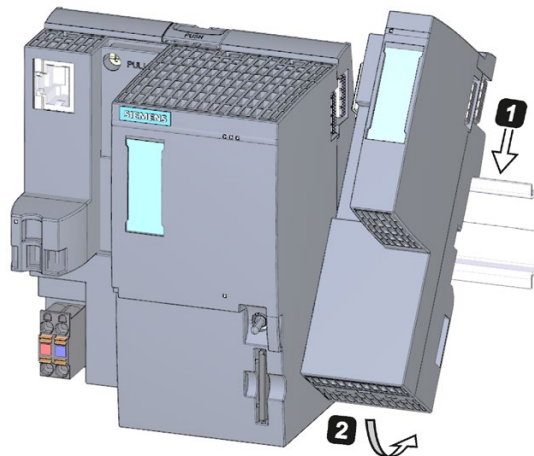


Figure 5-3 Installing CM DP

Removing a CM DP

The CPU and the CM DP are wired and BaseUnits are located to its right.

To remove the CM DP communication module, follow these steps:

1. Switch off the supply voltage on the CPU.
2. Press the mounting rail release button on the first BaseUnit and, at the same time, move the CPU and the CM DP parallel to the left until they detach from the rest of the module group (clearance about 16 mm).
3. Press the mounting rail release button on the CM DP and move it to the right until it detaches from the CPU (clearance about 8 mm).
4. While pressing the mounting rail release button on the CM DP, swivel the CM DP off of the mounting rail.

Note

It is not necessary to remove the bus connector from the CM DP unless you have to replace the CM DP.

5.5 Mounting BaseUnits for I/O modules

Introduction

The BaseUnits are used for electromechanical connection between the individual ET 200SP components. They also provide terminals for connecting external sensors, actuators and other devices.

Requirements

The mounting rail is fitted.

Required tools

3 to 3.5 mm screwdriver (only for dismantling the terminal box and the encoding element)

Installing a BaseUnit

Watch "Install configuration" video sequence

(<http://support.automation.siemens.com/WW/view/en/95886218>)

To install a BaseUnit, follow these steps:

1. Hook the BaseUnit onto the mounting rail.
2. Swivel the BaseUnit backwards until you hear it click into place on the mounting rail.
3. Slide the BaseUnit parallel to the left until you hear it latch onto the preceding CPU/interface module or BaseUnit.

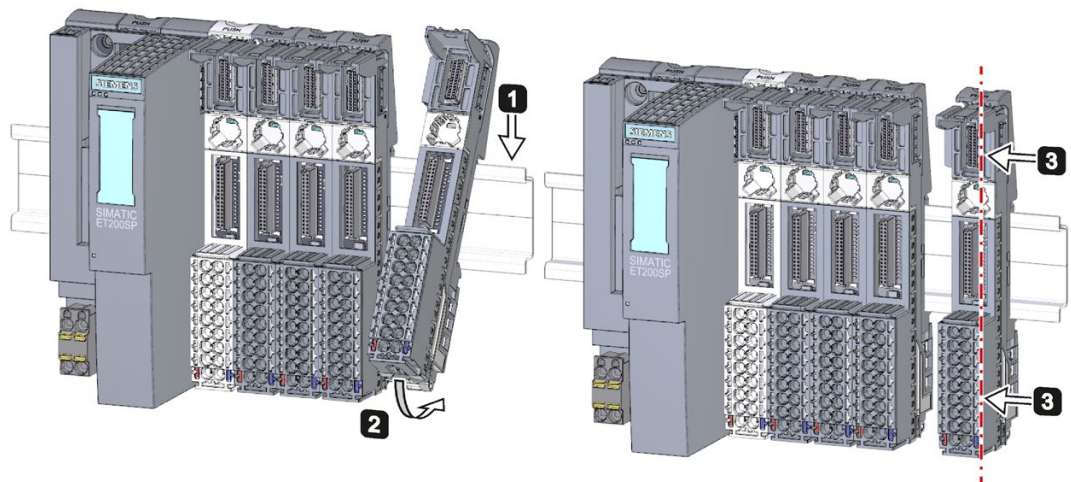


Figure 5-4 Installing a BaseUnit

Removing a BaseUnit

 **WARNING**

Hazardous Voltage

Hazardous electrical voltage can cause electric shock, burns and property damage.

Disconnect your system and devices from the power supply before starting any assembly tasks.

To remove a BaseUnit, follow these steps:

The BaseUnit is wired and there are other BaseUnits to its right and left.

To remove a specific BaseUnit, move the adjacent modules. As soon as you have created a clearance of about 8 mm from the adjacent BaseUnits, you can remove the BaseUnit.

Note

You can replace the terminal box without removing the BaseUnit. Refer to section Replacing the terminal box on the BaseUnit (Page 240).

To remove a BaseUnit, follow these steps:

1. Switch off all supply voltages on the ET 200SP distributed I/O system.
2. Loosen the wiring on the BaseUnit (with a 3 to 3.5 mm screwdriver).
3. **Removing (from the right):**

Press the mounting rail release on the relevant BaseUnit. Move the BaseUnit parallel to the right and swivel the BaseUnit off of the mounting rail while pressing the mounting rail release.

Removing (from the left):

Press the mounting rail release on the relevant BaseUnit and the BaseUnit located to its right. Move the BaseUnit parallel to the left and swivel the BaseUnit off of the mounting rail while pressing the mounting rail release.

Note: The mounting rail release is located above the BaseUnit

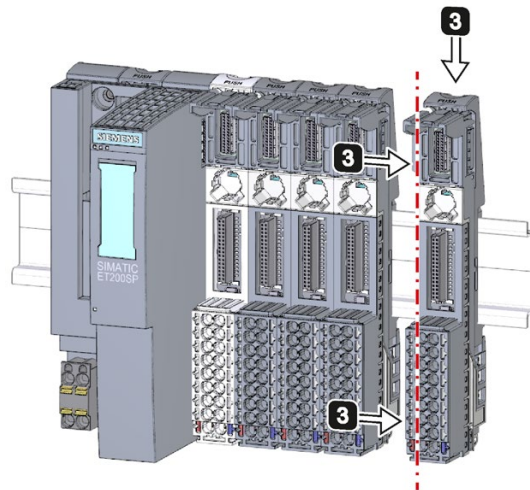


Figure 5-5 Removing the BaseUnit (removing from the right)

5.6 Mounting and dismantling BaseUnits for motor starters

Requirements

- The mounting rail is fitted.
- When using a 15 mm mounting rail, you must install the additional mechanical mounting (3RK1908-1EA00-1BP0).

Note

Mechanical bracket for BaseUnit

You will find out how to mount the mechanical bracket for the BaseUnit in chapter "Mounting the mechanical bracket for the BaseUnit (Page 82)".

CAUTION

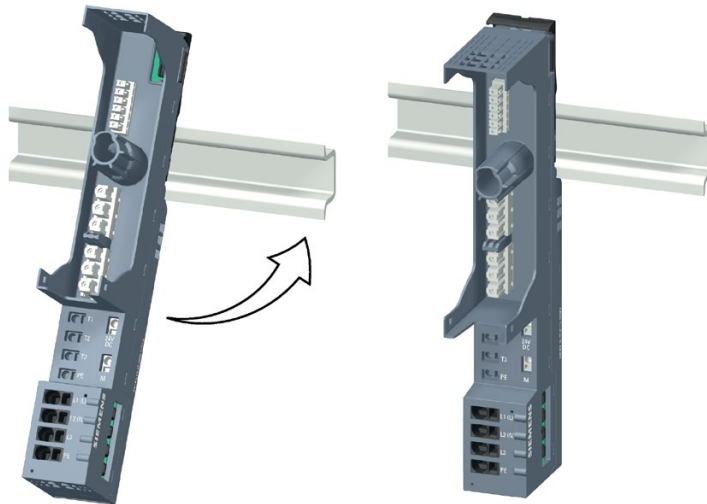
Protection against electrostatic charge

When handling and installing the SIMATIC ET 200SP motor starter, ensure protection against electrostatic charging of the components. Changes to the system configuration and wiring are only permissible after disconnection from the power supply.

Mounting a BaseUnit

Proceed as follows to mount a BaseUnit for motor starters:

1. Hook the BaseUnit into the DIN rail from above.
2. Swing the BaseUnit to the rear until the BaseUnit audibly engages.



- Slide the individual BaseUnits to the left to the previous BaseUnit until they audibly engage.

Assemble the BaseUnits only on the DIN rail.

Note

The BaseUnits for motor starters can be plugged together with the BaseUnits for I/O modules.

Disassembling the BaseUnit

WARNING

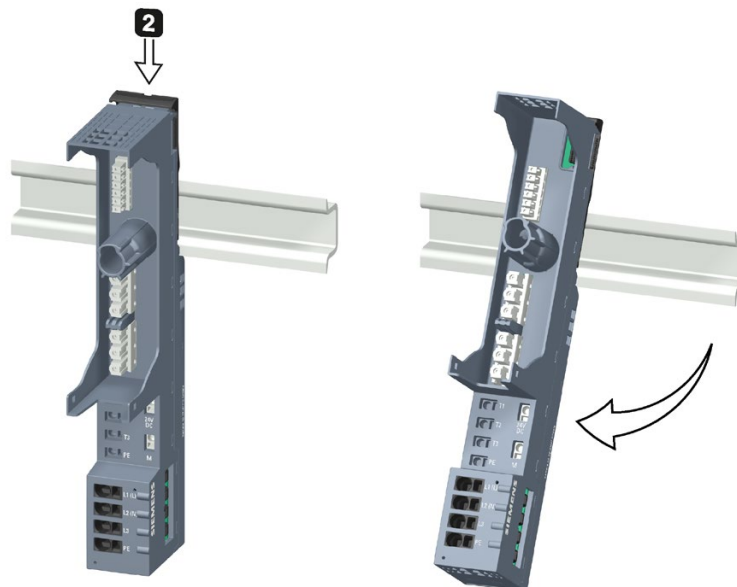
Hazardous Voltage

Hazardous electrical voltage can cause electric shock, burns and property damage.

Disconnect your system and devices from the power supply before starting any assembly tasks.

To disassemble the BaseUnit, proceed as follows:

- Disconnect the main power supply and the control current supply of the SIMATIC ET 200SP motor starter.
- Actuate the DIN rail release on the BaseUnit of the motor starter.
- Move the BaseUnit to the left. As soon as there is a clearance of approximately 8 mm to the neighboring BaseUnits, you can disassemble the BaseUnit of the motor starter.
- Swing the BaseUnit away from the DIN rail while pressing the DIN rail release.



5.7 Installing potential distributor modules

Introduction

You use the potential distributor module to distribute a variety of potentials (P1, P2).

Requirements

The mounting rail is installed.

Installing and uninstalling PotDis-BaseUnit

You install/uninstall PotDis-BaseUnits as you would the BaseUnits for I/O modules. You can find additional information in section Mounting BaseUnits for I/O modules (Page 73).

Installing and uninstalling PotDis-TerminalBlock

Installing

Plug the PotDis-TerminalBlock in die PotDis-BaseUnit. Proceed exactly as described in Section Inserting I/O modules / motor starters and BU covers (Page 116).

Uninstalling

To remove a PotDis-TerminalBlock, follow these steps:

1. Switch off all supply voltages on the ET 200SP distributed I/O system.
2. Simultaneously press the top and bottom release buttons of the PotDis-TerminalBlock.
3. Remove the PotDis-TerminalBlock from the front of the PotDis-BaseUnit.

5.8 Installing the server module

Introduction

The server module on the far right of the assembly/line completes the ET 200SP distributed I/O system.

Requirement

The last BaseUnit is mounted.

Installing the server module

Watch "Install configuration" video sequence (<http://support.automation.siemens.com/WW/view/en/95886218>)

Proceed as follows to install a server module:

1. Hook the server module onto the mounting rail to the right of the last BaseUnit.
2. Swivel the server module backwards on the mounting rail.
3. Move the server module parallel to the left until you hear it latch onto the last BaseUnit that precedes it.

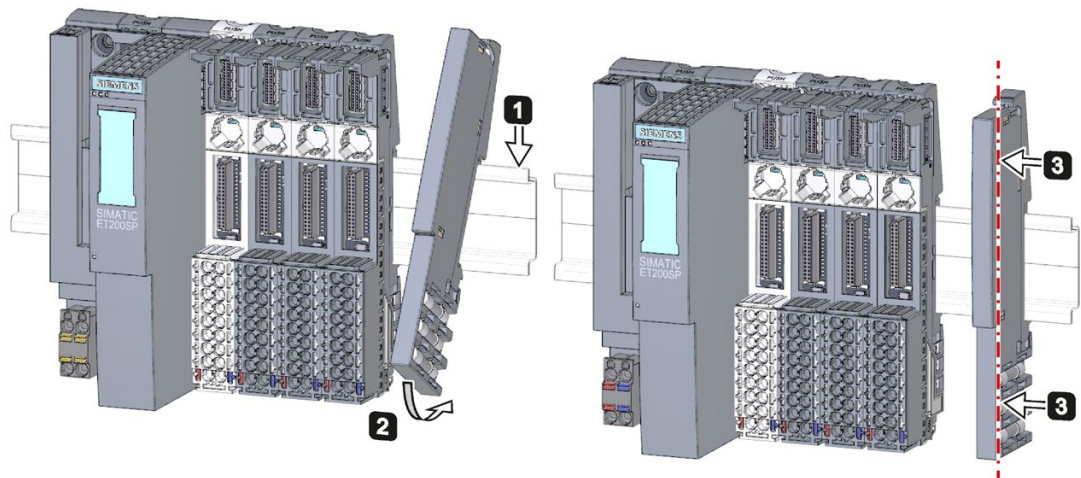


Figure 5-6 Installing the server module

Removing the server module

Proceed as follows to remove a server module:

1. Press the mounting rail release button on the server module.
2. Move the server module parallel to the right.
3. While pressing the mounting rail release button, swivel the server module off the mounting rail.

5.9 Mounting further accessories for motor starters

5.9.1 Mounting the cover for the 500 V AC infeed bus

Introduction

The 500 V infeed bus connects all SIMATIC ET 200SP motor starters. For finger-safe termination of the infeed bus, you must use the cover.



! DANGER

**Hazardous Voltage
Can Cause Death, Serious Injury, or Property Damage.**

Hazardous electrical voltage causes electric shock, burns and property damage.

Disconnect your system and devices from the power supply before starting any assembly tasks.



! DANGER

Infeed bus - electric shock

You must provide the infeed bus with a touch protection cover on the right (Article No.: 3RK1308-1DA00-2BP0).

Failure to do so will result in the danger of electric shock.

! WARNING

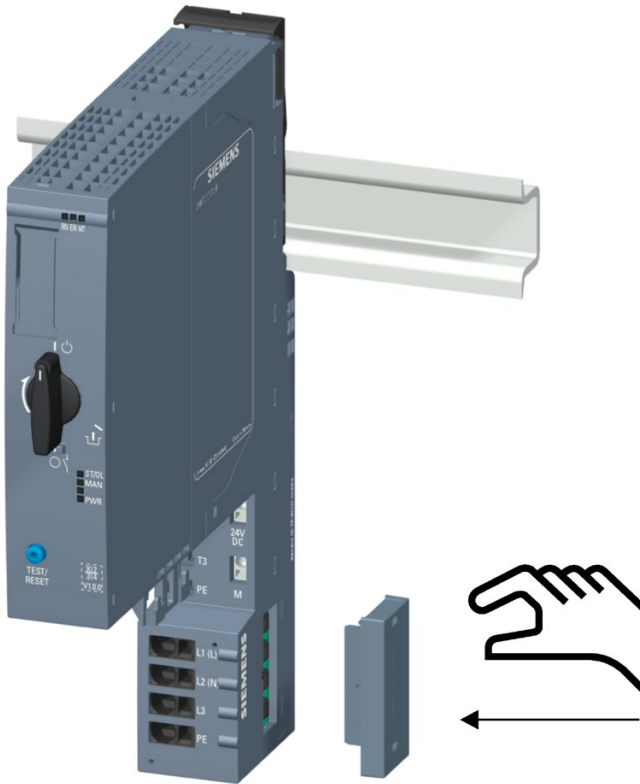
Personal injury may occur

On the last plugged-in BaseUnit of a motor starter, place a cover on the opening of the contacts of the infeed bus.

Procedure

Proceed as follows to mount the infeed bus cover on a SIMATIC ET 200SP motor starter:

1. Press the cover onto the opening of the BaseUnit on the right until it audibly engages.

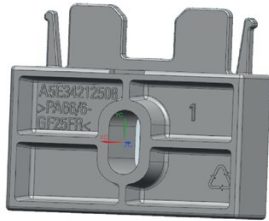


The cover can be removed again using 2 fingers and without tools.

5.9.2 Mounting the mechanical bracket for the BaseUnit

Introduction

To achieve higher stability, you can use a mechanical bracket on 7.5 mm and 15 mm mounting rails.



You must use the mechanical bracket in the following situations:

- When using a 15 mm mounting rail
- With a vertical mounting position
- For applications according to shipbuilding standards in all mounting positions with 7.5 mm and 15 mm mounting rails

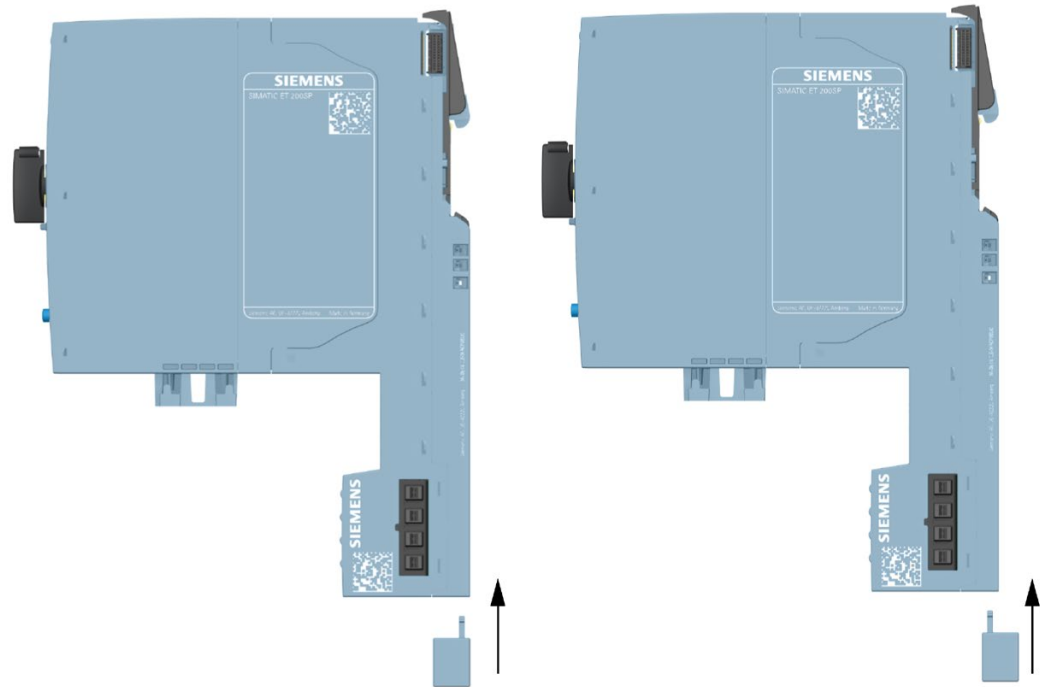
You can find further information on the mechanical bracket in chapter "Installation conditions for motor starters (Page 67)".

Procedure

To mount the mechanical bracket, proceed as follows:

1. Insert the mechanical bracket into the opening at the bottom of the BaseUnit.

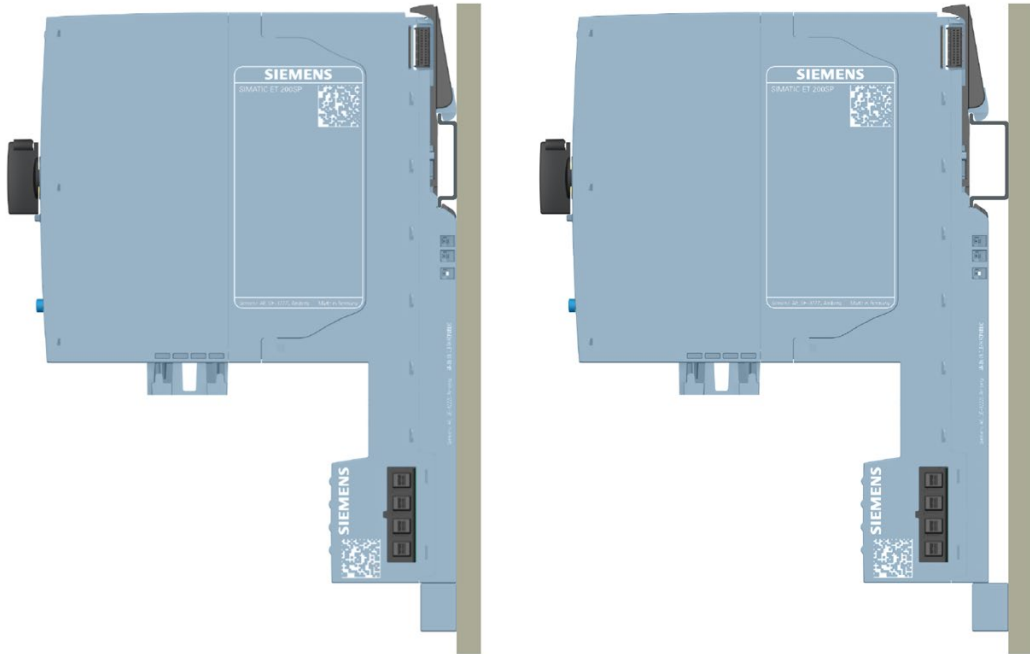
You use the same mechanical bracket for both mounting rails, rotated through 180° respectively.



2. Hook the BaseUnit into the mounting rail.
3. Insert the mechanical bracket into the BaseUnit.
4. Screw the mechanical bracket securely onto the mounting panel. Use an M4 screw and a suitable washer.

5.9 Mounting further accessories for motor starters

The figures below show the mechanical bracket after installation on a 7.5 mm or 15 mm mounting rail.



5.9.3 Mounting the BU cover

Introduction

BU covers are plugged onto BaseUnits whose slots have been reserved for future expansion (as empty slots). The BU covers for motor starters serve as touch protection covers for unoccupied slots.



! DANGER

**Hazardous Voltage
Can Cause Death, Serious Injury, or Property Damage.**

Hazardous electrical voltage causes electric shock, burns and property damage.

Disconnect your system and devices from the power supply before starting any assembly tasks.



! DANGER

BaseUnit without motor starter - electric shock

If you install a BaseUnit without motor starter in the ET 200SP system (e.g. options handling), you must provide the BaseUnit with a BU cover (Article No: 3RK1908-1CA00-0BPO).

Failure to do so will result in the danger of electric shock.

Procedure

To mount the BU cover onto a SIMATIC ET 200SP motor starter, insert the BU cover in the BaseUnit in parallel until both interlocks audibly engage.

Wiring

6.1 Rules and regulations for operation

Introduction

When installing the ET 200SP distributed I/O system as part of a plant or system, special rules and regulations need to be adhered to depending on the area of application.

This section provides an overview of the most important rules that must be observed for the integration of the ET 200SP distributed I/O system in a plant or system.

Specific application

Adhere to the safety and accident prevention regulations applying to specific applications, for example machine protection guidelines.

EMERGENCY STOP devices

EMERGENCY STOP devices in accordance with IEC 60204 (corresponds to DIN VDE 0113) must remain effective in all operating modes of the plant or system.

Excluding hazardous plant states

Hazardous operating states must not occur when

- the plant restarts after a voltage dip or power failure.
- Bus communication is reestablished following a fault.

If necessary, EMERGENCY STOP must be forced!

An uncontrolled or undefined startup must not occur after the EMERGENCY STOP is unlocked.

Line voltage

Below, everything you need to consider in terms of line voltage is described (refer to section Insulation, protection class, degree of protection and rated voltage (Page 286)):

- For fixed plants or systems without an all-pole mains disconnection switch, a mains disconnection device (all-pole) must be available in the building installation.
- For load power supplies, the configured rated voltage range must correspond to the local line voltage.
- For all power circuits of the ET 200SP distributed I/O system, the fluctuation/deviation of the line voltage from the rated value must be within the permitted tolerance.

24 V DC supply

Below you will find a description of what you need to pay attention to with 24 V DC supply:

- For buildings: In the event of danger through overload, you must provide lightning protection measures for external lightning protection (e.g. lightning protection elements).
- For 24 V DC supply lines and signal lines: If there is a risk of overvoltages, you need to take precautions to ensure internal lightning protection (e.g. lightning protection elements, refer to section Accessories/spare parts (Page 291)).
- For 24 V DC supply: Ensure protection by electrical separation and separate cable routing or increased insulation of circuits with dangerous potentials from extra low voltage (SELV/PELV) in accordance with IEC 61131-2 / IEC 61010-2-201.

Requirements for power supplies in the event of voltage interruption

Note

To ensure adherence to IEC 61131-2 and NAMUR Recommendation NE 21, only use power packs/power supply units (230 V AC → 24 V DC) with a mains buffering time of at least 20 ms. Observe the relevant requirement in your product standards (e.g. 30 ms for "burners" pursuant to EN 298) as regards possible voltage interruptions. The latest up-to-date information on PS components is available on the Internet (<https://mall.industry.siemens.com>).

These requirements, of course, also apply to power packs/power supply units not constructed using ET 200SP or S7-300-/400-/1500 technology.

Protection against outside electrical influences

Below is a description of what you must pay attention to in terms of protection against electrical impacts and/or faults:

- Make sure that the system for discharging electromagnetic interference is connected to a functional earth or to protective conductor with a sufficient cross-section for all plants with an ET 200SP distributed I/O system.
- For supply, signal and bus lines, you must ensure that the laying of the lines and the installation is correct.
- For signal and bus lines, you must ensure that a wire/cable break or a cross-circuit does not lead to undefined states of the plant or system.

Reference

You can find more information in the Designing interference-free controllers (<http://support.automation.siemens.com/WW/view/en/59193566>) function manual.

6.2 Additional rules and regulations for the operation of the ET 200SP with fail-safe modules

6.2.1 Safety extra-low voltage (SELV, PELV) for failsafe modules and failsafe motor starters

WARNING

The failsafe modules must be operated with safety extra-low voltage (SELV, PELV).

You can find more information on safety extra-low voltage (SELV, PELV) in the data sheets of the applicable power supplies, for example.

The fail-safe modules operate with the 24 V DC rated voltage. The tolerance range is 19.2 V DC to 28.8 V DC.

The fail-safe motor starters operate with the 24 V DC rated voltage. The tolerance range is 20.4 V DC to 28.8 V DC.

Within the overvoltage range from 32 V DC to 36 V DC, the F-modules react in a fail-safe manner and the inputs and outputs are passivated. For overvoltages greater than 36 V DC, the F-modules are permanently de-energized.

Use a power supply unit that does not exceed $U_m = 36$ V DC even in the event of a fault. For more on this, refer to the information in the data sheet on overvoltage protection in the case of an internal error. Or implement appropriate measures to limit the voltage, e.g. use of an overvoltage protector.

All system components that can supply electrical energy in any form whatsoever must fulfill this condition.

Each additional circuit (24 V DC) used in the system must have a safety extra-low voltage (SELV, PELV). Refer to the relevant data sheets or contact the manufacturer.

Sensors and actuators with an external power supply can also be connected to F-modules. Make sure that power is supplied to these components from safety extra-low voltage (SELV, PELV) as well. The process signal of a 24 V DC digital module may not exceed a fault voltage U_m in the event of a fault.

WARNING


Even when a fault occurs, the permissible potential difference between the supply of the interface module (bus voltage) and the load voltage must not be exceeded.

An external direct electrical connection is one way to meet this requirement. This also prevents potential differences from causing voltage additions at the individual voltage sources, which would cause the fault voltage U_m to be exceeded.

6.2.2 Requirements for sensors and actuators for fail-safe modules and fail-safe motor starters

General requirements for sensors and actuators


Note the following important warning regarding safety-related use of sensors and actuators:

 WARNING
<p>Note that instrumentation with sensors and actuators bears a considerable safety responsibility. Also bear in mind that sensors and actuators generally do not have proof-test intervals of 20 years as defined in IEC 61508:2010 without considerable loss of safety.</p> <p>The probability of hazardous faults and the rate of hazardous faults of safety functions must comply with an SIL-defined high limit. A listing of values achieved by F-modules in the technical specifications of the F-modules is available under "Fail-safe performance characteristics".</p> <p>To achieve the required safety class, suitably qualified sensors and actuators are necessary.</p>

Additional sensor requirements

General rule: To achieve SIL3/Cat. 3/PLe, a single-channel sensor is adequate. However, to achieve SIL3/Cat. 3/PLe with a single-channel sensor, the sensor itself must be SIL3/Cat. 3/PLe-capable; otherwise the sensor must be connected by two channels to achieve this safety level.

To achieve SIL3/Cat. 4/PLe, sensors must be connected by two channels.

 WARNING
<p>In the case of fail-safe input modules, the value "0" is output to the F-CPU after detection of faults. You therefore need to make sure that the sensors are implemented in such a way as to ensure the reliable reaction of the safety program when the sensor is in the "0" state.</p> <p>Example: In its safety program, an EMERGENCY-STOP sensor must achieve the shutdown of the relevant actuator when it is in the "0" state (EMERGENCY-STOP button pressed).</p>

Additional requirements for sensors for fail-safe motor starters

Only single-channel sensors that fulfill the required safety category themselves may be connected to the fail-safe motor starter's F-DI. Fail-safe laying must be observed in accordance with the required safety category.

WARNING

Safety-related shutdown using the F-DI

Depending on the I/O used, the shutdown takes place via one or two output channels (terminals):

- PM-switching: The shutdown takes place via two output channels.
- PP-switching: The shutdown takes place via one output channel.

Shutdown via only one output channel (PP-switching) achieves SIL 3 according to EN 62061, PL e / Cat. 4 according to EN ISO 13849-1, if it is ensured that the cabling is installed in a cross-circuit-proof/P-short-circuit-proof manner.

Duration requirements for sensor signals

WARNING

Observe the following requirements for sensor signals:

- To ensure the correct detection of the sensor signals via fail-safe modules with inputs, you need to make sure that the sensor signals are output for a minimum duration.
- For pulses to be detected with certainty, the time between two signal changes (pulse duration) must be greater than the PROFIsafe monitoring time.

Reliable detection by F-modules with inputs

The minimum duration of sensor signals for F-modules with inputs depends on the configured input delay, the parameters of the short circuit test of the sensor supplies, and the configured discrepancy behavior for 1oo2 evaluation. The signal must be greater than the maximum response time of the configured application. Information on calculating the maximum response time can be found in the section "Response times" of the relevant F-module.

The maximum permitted switching frequency of the sensor signals results from the minimum duration.

Additional requirements for actuators

The fail-safe output modules test the outputs at regular intervals. The F-module briefly switches off the activated outputs and, if necessary, switches on the deactivated outputs. You can assign the maximum duration of the test pulses (dark and light period) with parameters.

Fast reacting actuators may briefly drop out or be activated during the test. If your process does not tolerate this, set the pulse duration of the light or dark test correspondingly or use actuators that have sufficient lag.

WARNING

If the actuators switch voltages greater than 24 V DC (e.g. 230 V AC), the outputs of a fail-safe output module and the parts carrying a higher voltage must be electrically isolated (in accordance with IEC 60664-1).

This is generally the case for relays and contactors. Particular attention must be paid to this with semiconductor switching devices.

Technical specifications of sensors and actuators

Refer to the manuals of the fail-safe modules for technical specifications to assist you in selecting sensors and actuators.

6.2.3 Crosstalk of digital input/output signals

When fail-safe digital output and input signals are in a single cable, F-DQ modules and F-PM-E modules may experience readback errors.

Cause: capacitive crosstalk

During the bit pattern test of the outputs or the sensor supply of the inputs, the steep switching edge of the output drivers caused by the coupling capacitance of the line may result in crosstalk to other non-activated output or input channels. This may then lead to a response of the readback circuit in these channels. A cross circuit/short-circuit is detected, which leads to safety-related tripping.

Remedy:

- Separate cables for F-DI modules, F-DQ modules, and F-PM-E modules or non-fail-safe DQ modules
- Separate cables for F-DQ channel and F-DI channels for the F-PM-E module
- Coupling relay or diodes in the outputs
- Disable the sensor supply test if safety class requirements allow it.

Cause: magnetic crosstalk

Note that an inductive load connected to the F-DQ channels can induce coupling of a strong magnetic field.

Remedy:

- Separate the inductive loads spatially or shield against the magnetic field.
- Configure the readback time to 50 ms or higher.

6.3 Additional rules and instructions for operation with motor starters

6.3.1 Protection against short circuit

The motor starter complies with type of coordination 1. Secure the feeder cable for the infeed bus according to current, country-specific rules for conductor protection.

 **WARNING**

**Hazardous Voltage at the Motor
Can Cause Death, Serious Injury, or Property Damage.**

Following a short-circuit, the SIMATIC ET 200SP motor starter is defective. Replace the motor starter following a short-circuit.

6.4 Operating the ET 200SP on grounded incoming supply

Introduction

Below you will find information on the overall configuration of an ET 200SP distributed I/O system on a grounded incoming supply (e.g. TN-S network). The specific subjects discussed are:

- Disconnecting devices and short-circuit and overload protection according to IEC 60364 (corresponds to DIN VDE 0100) and IEC 60204 (corresponds to DIN VDE 0113)
- Load power supplies and load circuits.

Grounded incoming supply

In the case of grounded incoming supplies (TN-S system) the neutral conductor (N) and the protective conductor (PE) are each grounded. Both conductors form a part of the overvoltage concept. When a plant is in operation, the current flows across the neutral conductor. When a fault occurs, for example, a single ground fault between a live conductor and ground, the current flows through the protective conductor.

Safe electrical separation (SELV in accordance with IEC 61131-2 or IEC 61010-2-201)

Load power supplies/power supply modules with 24 V DC output voltage require safe electrical separation and voltage limiting (extra low voltage). Load power supplies/power supply modules with 24 V DC output voltage are not connected to the protective conductor. According to IEC 61131-2 and IEC 61010-2-201, this protection is referred to as SELV (Safety Extra Low Voltage).

The wiring of SELV circuits must be safely separated from the wiring of other circuits that are not SELV, or the insulation of all conductors must be dimensioned for the higher voltage.

Grounded extra-low voltage (PELV in accordance with IEC 61131-2 or IEC 61010-2-201)

Load power supplies/power supply modules with grounded 24 V DC output voltage require safe connection to the protective conductor and voltage limiting (extra low voltage).

According to IEC 61131-2 and IEC 61010-2-201, this protection is referred to as PELV (Protective Extra Low Voltage).

The wiring of PELV circuits must be safely separated from the wiring of other circuits that are not PELV, or the insulation of all conductors must be dimensioned for the higher voltage.

Configuration of ET 200SP with ungrounded reference potential

To conduct interference currents, the reference potential of the CPU/interface module and the BaseUnits BU15...D is connected internally via an RC combination (IM/CPU: R = 10 M Ω / C = 100 nF, BU15...D: R = 10 M Ω / C = 4 nF) with the mounting rail (functional grounding).

- This configuration conducts high-frequency interference currents and prevents static charges.
- It is always possible to configure an ungrounded setup of the ET 200SP distributed I/O system as the ET 200SP distributed I/O system has no fixed ground connection. The power pack/power supply module for 24 V DC must also be ungrounded and electrically isolated.

If you want to configure the ET 200SP distributed I/O system with grounded reference potential, connect the 1M connection of the CPU/interface module electrically with the protective conductor.

Short-circuit / overload protection

Various measures as protection against short-circuits and overloads are required for setting up a full installation. The type of components and the binding protective measures depend on which IEC (DIN VDE) regulation applies to your system configuration. The table refers to the figure below and compares the IEC (DIN VDE) regulations.

Table 6- 1 Components and protective measures

	Refer to figure	IEC 60364 (DIN VDE 0100)	IEC 60204 (DIN VDE 0113)
Disconnecting device for controller, sensors, and actuators	①	Main switch	Disconnecter
Short-circuit / overload protection: In groups for sensors and actuators	② ③	Single-pole protection of circuits	With grounded secondary circuit: single-pole protection otherwise: all-pole protection
Load current supply for AC load circuits with more than five items of electromagnetic equipment	②	Galvanic isolation by transformer recommended	Galvanic isolation by transformer recommended

Cable temperature measurement threshold

Note

Cable temperature measurement threshold

When choosing a cable, remember that the cable temperature in operation can be up to 30 °C higher than the ambient temperature of the ET200SP system (example: at an ambient temperature of 60 °C, a connection conductor must be dimensioned for a temperature range of at least 90 °C).

You should specify other connection types and material requirements based on the electrical characteristics of the circuits you use and the installation environment.

ET 200SP in the overall configuration

The figure below shows the overall configuration of the ET 200SP distributed I/O system (load current supply and grounding concept) with supply from a TN-S network.

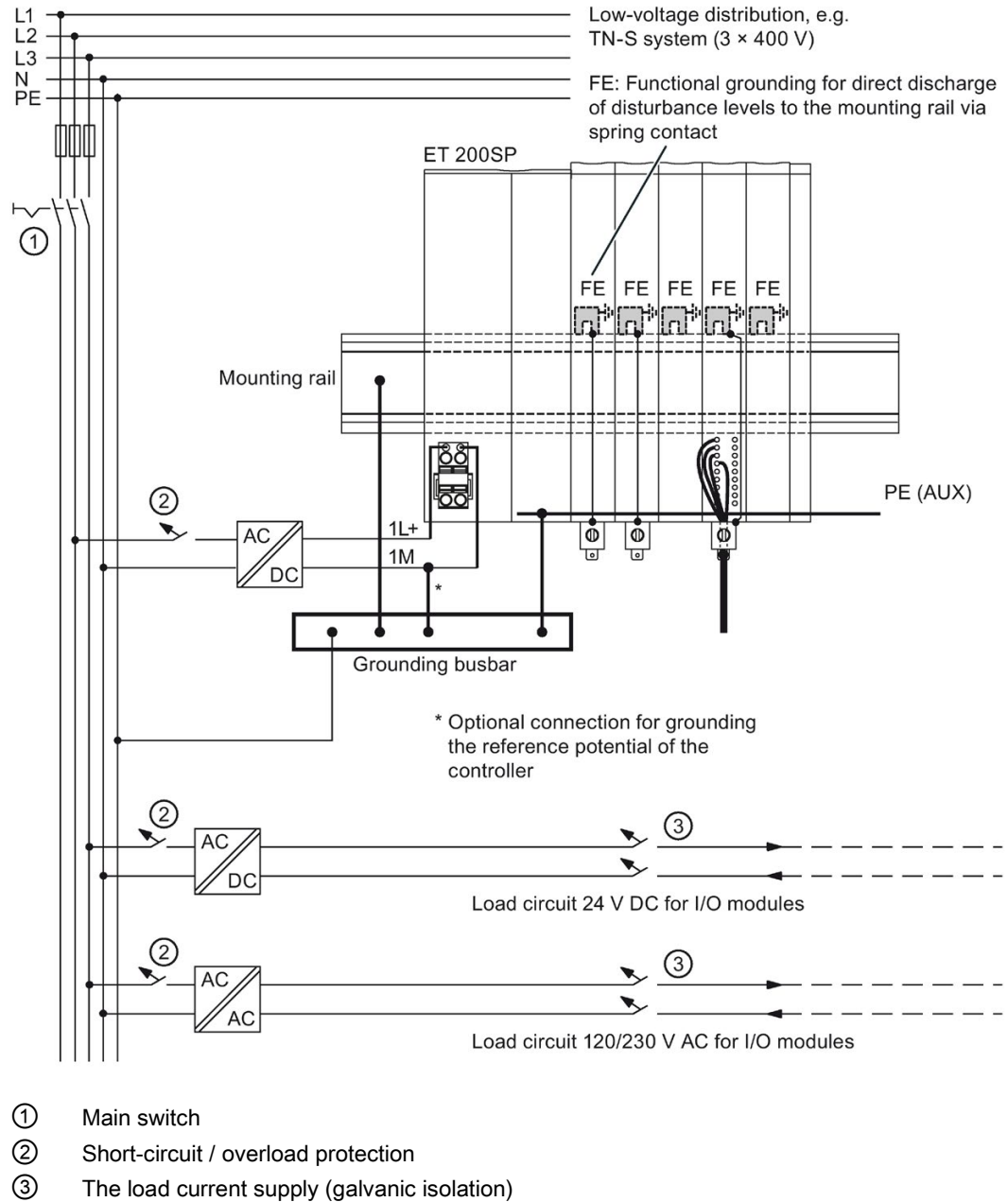


Figure 6-1 ET 200SP in the overall configuration

6.5 Electrical configuration of the ET 200SP

Electrical isolation

Electrical relationships

With the ET 200SP distributed I/O system, there is electrical isolation between:

- The load circuits/process and all other circuit components of the ET 200SP distributed I/O system.
- The communication interfaces of the CPU (PROFINET) or of the interface module (PROFINET/PROFIBUS) and all other circuit components.

The figures below show the electrical relationships of the ET 200SP distributed I/O system with the CPU and the interface module. Only the most important components are represented in the figures.

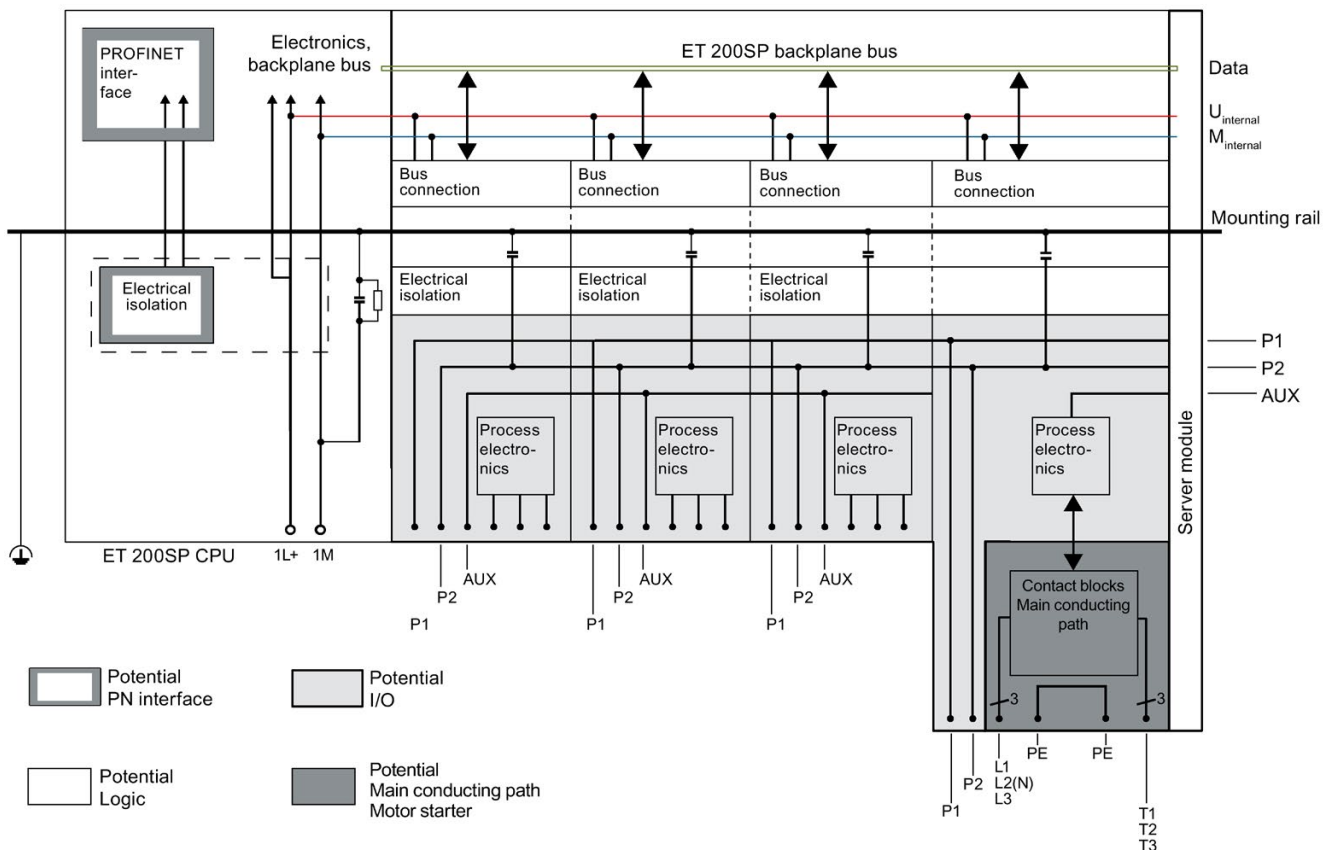


Figure 6-2 Electrical relationships for ET 200SP with CPU

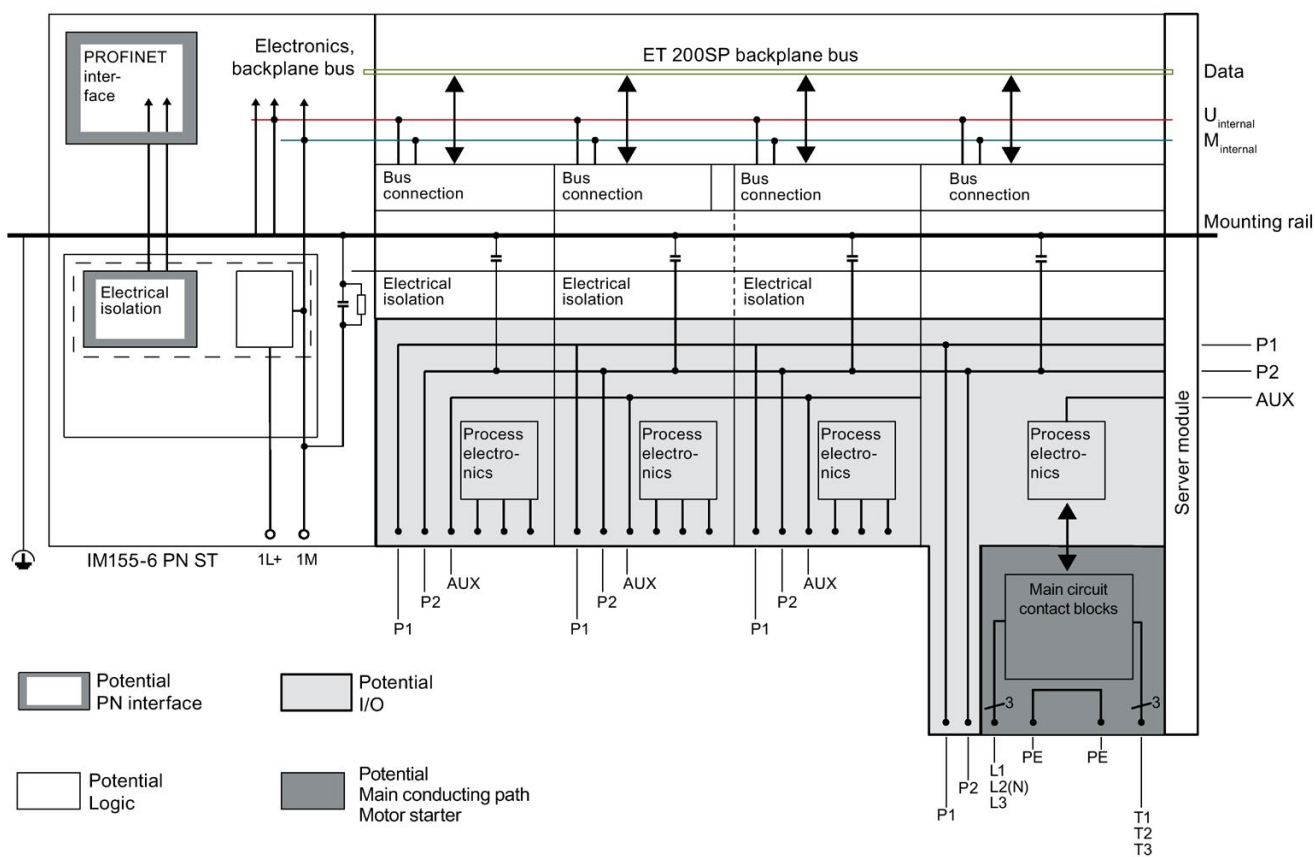


Figure 6-3 Electrical relationships for ET 200SP with interface module (using IM 155-6 PN ST as an example)

6.6 Wiring rules

Wiring rules for the CPU/interface module and BaseUnits for I/O modules

Wiring rules for ...		CPU/interface module (supply voltage)	BaseUnits (push-in terminal)
Permitted cable cross-sections of solid cables (Cu)		0.2 to 2.5 mm ² AWG*: 24 to 13	
Permitted cable cross-sections of flexible cables (Cu)	Without end sleeve	0.2 to 2.5 mm ² AWG*: 24 to 13	AWG*: 24 to 14
		With end sleeve (with plastic sleeve)***	0.25 mm to 1.5 mm ^{2**} AWG*: 24 to 16
	With TWIN end sleeve***		0.5 mm to 1 mm ² AWG*: 20 to 17
		Stripping length of the wires	
End sleeves in accordance with DIN 46228 with plastic sleeve***		8 and 10 mm long	

* AWG: American Wire Gauge

** End sleeves without plastic sleeve: 0.25 to 2.5 mm²/AWG: 24 to 13

*** See note on end sleeves

Note the following for BaseUnits with function version < FS10:

Note

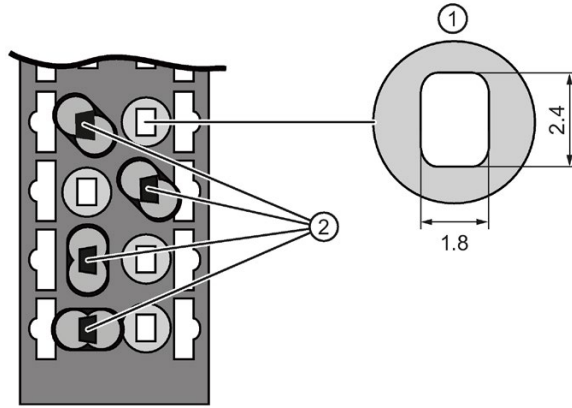
End sleeves

Optimum results with respect to a high-quality and permanent electrical connection with maximum conductor pull forces at the same time can be achieved by using crimping dies, preferably with smooth surfaces, which are provided, for example, with rectangular and trapezoidal crimp cross-sections.

Crimping dies with a pronounced wave profile are unsuitable.

TWIN end sleeves for the cables of the I/O modules' push-in terminals

Due to the space required by TWIN end sleeves with 0.75 mm² cross-section, you must ensure a correct angle for the cable arrangement when crimping the TWIN end sleeve so that the cables are optimally arranged.



- ① Cross-section of the terminal compartment
- ② Crimping TWIN end sleeves at the correct angle

Figure 6-4 TWIN end sleeves

Wiring rules for motor starters

Wiring rules for ...		L1(L), L2(N), L3, PE	T1, T2, T3, PE, 24 V DC, F-DI, M	DI1 ... DI3, LC, M, 24 V OUT
Permitted cable cross-sections of solid cables (Cu)		1 to 6 mm ² AWG: 18 to 10	0.5 to 2.5 mm ² AWG: 20 to 12	0.2 to 1.5 mm ² AWG: 24 to 16
Permitted cable cross-sections of flexible cables (Cu)	Without end sleeve	1 to 6 mm ² AWG: 18 to 10	0.5 to 2.5 mm ² AWG: 20 to 12	0.2 to 1.5 mm ² AWG: 24 to 16
		With end sleeve	1 to 6 mm ² AWG: 18 to 10	0.5 to 2.5 mm ² AWG: 20 to 12
	With end sleeve (with plastic sleeve)	1 to 4 mm ² AWG: 18 to 11	0.5 to 1.5 mm ² AWG: 20 to 16	0.25 to 0.75 mm ² AWG: 24 to 18
		Stripping length of the wires	15 mm	10 mm
	End sleeves according to DIN 46228 with plastic sleeve	15 mm long	10 mm long	8 mm long

Safety standards for fail-safe motor starters

Fail-safe motor starters fulfill the following standards under certain conditions:

- PL e/Cat. 4 according to EN ISO 13849-1
- Safety Integrity Level SILCL3 acc. to IEC 62061

To fulfill both standards, lay cross-circuit proof and P-cross-circuit proof control cables from the safe output of a sensor or F-DQ to the safe input of the motor starter, e.g. as a separately sheathed cable or in a separate cable duct.

Line protection

The line protection of the SIMATIC ET 200SP motor starter is provided for the motor outgoing feeder cable when the following condition is met:

The cross-section of the motor outgoing feeder cable must be dimensioned for the load ratios of the motor and for the cable-laying method.

Comply with national regulations. The user is responsible for the correct selection and dimensioning of the motor connection cable to DIN VDE 0100 and DIN VDE 0298-4 and/or UL 508.

The conductor protection for the incoming feeders must be ensured by the owner of the installation depending on the cross-section.

Cable temperature measurement threshold

Note

Cable temperature measurement threshold

When choosing a cable, remember that the cable temperature in operation can be up to 30 °C higher than the ambient temperature of the ET200SP system (example: at an ambient temperature of 60 °C, a connection conductor must be dimensioned for a temperature range of at least 90 °C).

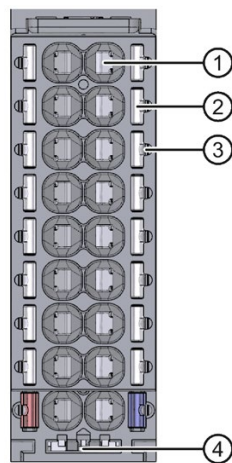
You should specify other connection types and material requirements based on the electrical characteristics of the circuits you use and the installation environment.

6.7 Wiring BaseUnits for I/O modules

Introduction

The BaseUnits connect the ET 200SP distributed I/O system to the process. The following versions of the BaseUnits can be used:

- BaseUnits (with light-colored terminal box) for opening a potential group: BU..D
- BaseUnits (with dark-colored terminal box) for extending the potential group: BU..B
- BaseUnits with additional AUX terminals or additional terminals: BU..+10..
- BaseUnits with integrated thermal resistor for compensation of the reference junction temperature when connecting thermocouples: BU..T
- PotDis-BaseUnits (with light-colored terminal box) for opening a PotDis potential group: PotDis-BU..D
- PotDis-BaseUnits (with dark-colored terminal box) for extending the potential group: PotDis-BU..B



- ① Push-in terminal
- ② Spring release
- ③ Measuring probe (suitable probes: 1 mm diameter, length \geq 10 mm while observing the permitted voltage category)
- ④ Holder for shield connection

Figure 6-5 View of the BaseUnit

Note

The pin assignment of the BaseUnit depends on the connected I/O module. Information on the BaseUnits and I/O modules can be found in the associated manuals.

Replacement of the terminal box on the BaseUnit is described in the section Replacing the terminal box on the BaseUnit (Page 240).

Note

Special terminal designations in the wiring and block diagrams of the I/O modules/BaseUnits

- **RES:** Reserve, these terminals must remain unconnected so that they can be used for future expansions
 - **n.c.:** Not connected, these terminals have no function. However, they can be connected to potentials specifically defined for a module, for example, for the laying unused wires.
-

Requirements

- The supply voltages are turned off.
- Follow the wiring rules.
- Color identification labels (Page 127) (optional) have been applied.

Required tools

3 to 3.5 mm screwdriver

Tool-free connection of cables: single-wire without wire end ferrule, multi-wire (stranded) with wire end ferrule or ultrasonically sealed

Watch the video sequence (<http://support.automation.siemens.com/WW/view/en/95886218>)

To connect a wire without tools, follow these steps:

1. Strip 8 to 10 mm of the wires.
2. Only in the case of stranded conductors (except for 2.5 mm² cross-section):
Seal or crimp the wire with wire end ferrules.
3. Insert the wire into the push-in terminal as far as it will go.

Connection of cables: multi-wire (stranded), without wire end ferrule, unprocessed

To connect a wire without a wire end ferrule, follow these steps:

1. Strip 8 to 10 mm of the wires.
2. Push with the screwdriver into the spring release.
3. Insert the wire into the push-in terminal as far as it will go.
4. Pull the screwdriver out of the spring release.

Removing wires

Using the screwdriver, press the spring release of the terminal as far as it will go and pull out the wire.

Note

When you press the spring release, you should not pull on the wire/cable at the same time. This prevents you from damaging the terminal.

6.8 Connecting cable shields for I/O modules

Introduction

- You need the shield connector to contact cable shields (e.g. for analog modules). The shield connector conducts interference currents on cable shields to ground via the mounting rail. It is not necessary to contact the shield at where the cable enters the cabinet.
- Attach the shield connector to the BaseUnit.
- The shield connector consists of a shield contact and a shield terminal.
- The shield connector is automatically connected to the functional ground (FG) of the mounting rail after installation.

Requirements

- BaseUnit with a width of 15 mm
- The shield terminal is suitable for cables with max. \varnothing 7 mm each.

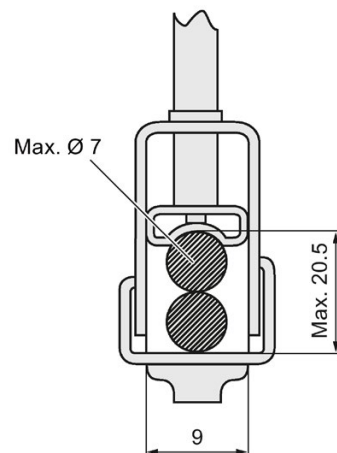


Figure 6-6 Shield terminal

Required tools

- Stripping tool

Procedure

Watch the "Wiring BaseUnits" video sequence (<http://support.automation.siemens.com/WW/view/en/95886218>)

To connect the cable shield, follow these steps:

1. If necessary, connect the supply voltage L+ and ground to the BaseUnit.
2. Press the shield contact up into the mount until you hear it click into place.
3. Remove the cable insulation material around the shield terminal.
Connect the cable to the BaseUnit and place the cable in the shield contact.
4. Insert the shield terminal into the shield contact.
5. Tighten the shield terminal with approximately 0.5 Nm.

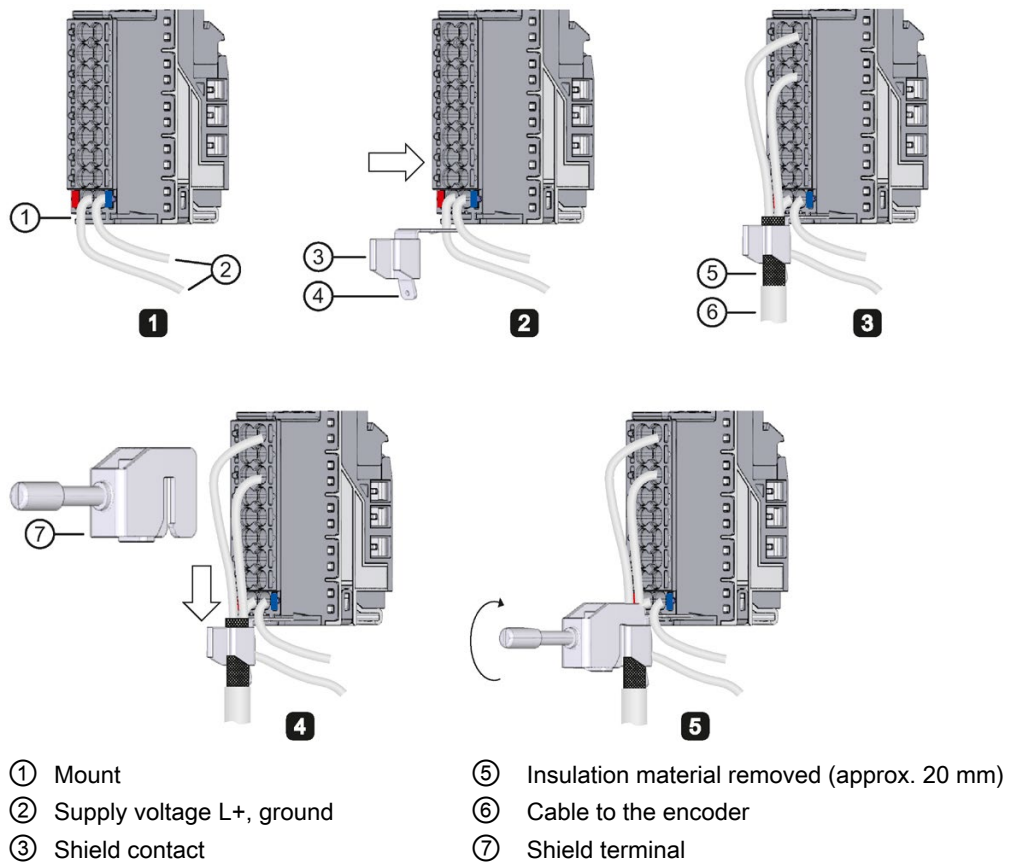


Figure 6-7 Mounting the shield contact

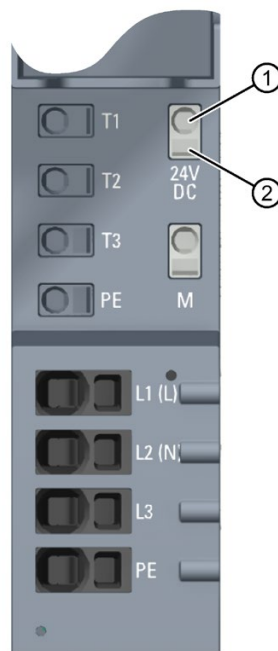
6.9 Wiring BaseUnits for motor starters

Introduction

The following versions of BaseUnits can be used:

- BU30-MS1 (with 24 V DC and 500 V AC infeed)
- BU30-MS2 (with 500 V AC infeed)
- BU30-MS3 (with 24 V DC infeed)
- BU30-MS4 (without infeed)
- BU30-MS5 (with 500 V AC infeed and single F-DI)
- BU30-MS6 (without infeed and with single F-DI)
- BU30-MS7 (with F-DI and 500 V AC infeed)
- BU30-MS8 (with 500 V AC infeed and F-DI routing)
- BU30-MS9 (with F-DI routing)
- BU30-MS10 (with F-DI infeed)

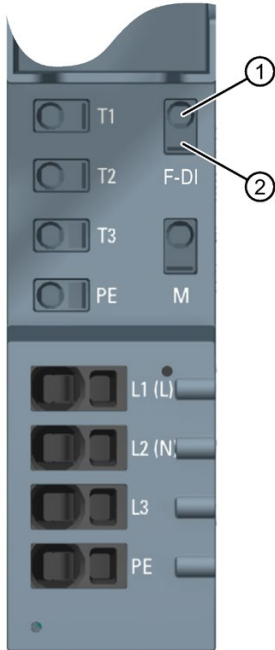
The following figure shows an example of a BaseUnit BU30-MS1 (with the maximum number of terminals):



- ① Push-in terminal
- ② Spring release

Figure 6-8 Terminals on a BaseUnit BU30-MS1

The following figure shows an example of a BaseUnit BU30-MS5 (with the maximum number of terminals):



- ① Push-in terminal
- ② Spring release

Figure 6-9 Terminals on a BaseUnit BU30-MS5

! DANGER

Hazardous Voltage
Can Cause Death, Serious Injury, or Property Damage.

Hazardous electrical voltage can cause electric shock, burns and property damage.
Turn off and lock out all power supplying this device before working on this device.

For wiring finely-stranded or stranded conductors without end sleeves on push-in connections, a screwdriver is required.

Requirements

- The supply voltages are switched off
- Observe the wiring rules

NOTICE

Interconnection of the F-DI input of BaseUnits BU-30-MS5, BU-30-MS6, BU-30-MS7 and BU-30-MS10 with surge filters

If your system requires overvoltage protection, you must interconnect the F-DI input of the BaseUnits BU-30-MS5, BU-30-MS6, BU-30-MS7 and BU-30-MS10 with surge filters.

Please see "Electromagnetic Compatibility" in the technical specifications.

Required tools

Use the screwdriver "SZF 1-0.6x3.5" (for finely-stranded cables only).

Connecting conductors: Solid without end sleeve, stranded (stranded wire) with end sleeve

To connect a cable, proceed as follows:

1. Insulate the cables in accordance with the table in chapter "Electromagnetic compatibility of fail-safe modules (Page 278)".
2. Only in the case of stranded conductors:
Crimp the cable with end sleeves.
3. Insert the cable into the push-in terminal as far as it will go.
4. Pull on the cable to ensure it is tight.

Connecting conductors: multi-wire (stranded), without end sleeve, unfinished

To connect a cable, proceed as follows:

1. Insulate the cables in accordance with the table in chapter "Wiring rules (Page 98)".
2. Press the screwdriver into the spring release.
3. Insert the conductor into the push-in terminal until it engages.
4. Pull the screwdriver out of the spring release.
5. Check whether or not the conductor is firmly connected by pulling on the cable.

Video sequence

At the following Internet link, you can see a video about connecting conductors: Wire BaseUnits (<http://support.automation.siemens.com/WWW/view/en/95886218>)

Releasing conductors

To release a conductor, proceed as follows:

1. Press the screwdriver into the spring release of the terminal until it engages.
2. Pull the conductor out.

Note

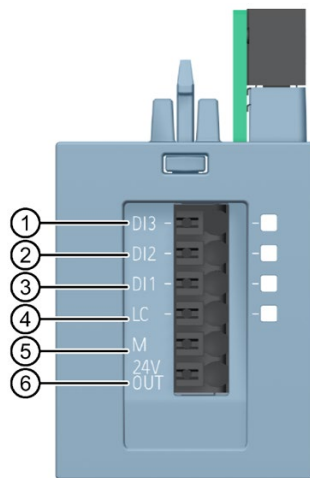
When pressing the spring release, you must not pull on the wire/cable at the same time. In this way, you avoid damaging the terminal.

6.10 Connecting the 3DI/LC module for the motor starter

You will find further information on the 3DI/LC module in the ET 200SP motor starter (<https://support.industry.siemens.com/cs/ww/en/view/109479973>) manual.

Procedure

The figure below shows the connections of the 3DI/LC module.



- ① Digital input 3
- ② Digital input 2
- ③ Digital input 1
- ④ Local control (manual local)
- ⑤ Ground
- ⑥ 24 V DC/ 100 mA output

Note

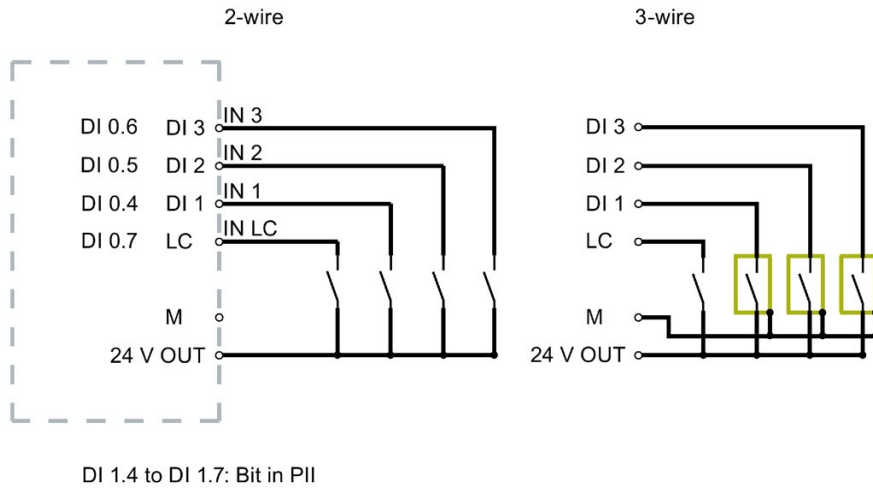
The digital inputs (1 to 4) are not isolated. The reference potential is M (5). Control the digital inputs only via a unit supplied from the 24 V DC output (6).

Connect only cables of a width not exceeding 30 m to the 3DI/LC module.

The supply (5 and 6) is protected against short-circuits.

Terminal sketch of the 3DI/LC module

The following diagram shows a terminal sketch of the 3DI/LC module:



DI 1.4 to DI 1.7: Bit in PII

Figure 6-10 Connection example of inputs

6.11 Connecting the supply voltage to the CPU/interface module

Introduction

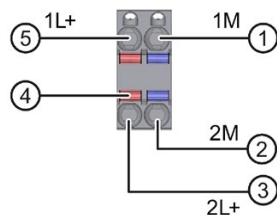
The supply voltage of the CPU/interface module is supplied by means of a 4-pin connector plug located on the front of the CPU/interface module.

Power supply unit

Only use power supply units of type SELV/PELV with safe electrically isolated functional extra low voltage (≤ 28.8 V DC).

Connection for supply voltage (X80)

The connections have the following meaning:



- ① Ground of the supply voltage
- ② Ground of the supply voltage for looping through (permitted value 10 A)
- ③ + 24 V DC of the supply voltage for looping through (permitted value 10 A)
- ④ Spring release
- ⑤ + 24 V DC of the supply voltage

1L+ and 2L+ and 1M and 2M are internally jumpered.

Figure 6-11 Supply voltage connection

The maximum cross-section of the connection is 2.5 mm² without wire-end ferrule or 1.5 mm² with wire-end ferrule. A strain relief is not present. The connector plugs provide you with the option of looping the supply voltage through without interruption, even when it is unplugged.

Requirements

- Only wire up the connector plug when the supply voltage is turned off.
- Follow the wiring rules (Page 98).

Required tools

3 to 3.5 mm screwdriver

Tool-free connection of cables: single-wire without end sleeve, multi-wire (stranded) with end sleeve or ultrasonically sealed

Watch video sequence: "Connect BusAdapter to the interface module"
(<http://support.automation.siemens.com/WW/view/en/95886218>)

To connect a wire without tools, follow these steps:

1. Strip 8 to 10 mm of the wires.
2. Only in the case of stranded conductors:
Seal or crimp the wire with end sleeves.
3. Insert the cable into the push-in terminal as far as it will go.
4. Push the wired connector plug into the plug socket of the interface module.

Connection of cables: multi-wire (stranded), without end sleeve, unfinished

To connect a wire without an end sleeve, follow these steps:

1. Strip 8 to 10 mm of the wires.
2. Using a screwdriver, press the spring release and insert the wire into the push-in terminal as far as it will go.
3. Pull the screwdriver out of the spring release.
4. Push the wired connector plug into the socket in the interface module.

Removing a wire

Using the screwdriver, press the spring release as far as it will go and pull out the wire.

6.12 Connecting interfaces for communication

Connect the communication interfaces of the ET 200SP distributed I/O system using the standardized connector or directly. If you want to prepare communication cables yourself, the interface assignment is specified in the manuals of the corresponding modules. Observe the mounting instructions for the connectors.

Detailed information on the available BusAdapters and the procedure for connecting PROFINET IO to the CPU/interface module is available in the BusAdapter (<https://support.industry.siemens.com/cs/ww/en/view/109751716>) manual.

6.12.1 Connecting PROFINET IO (port P3) to the CPU

Introduction

You use the RJ-45 bus connector to connect PROFINET IO (port P3) directly to the CPU.

Required accessories

- Cable ties with standard width of 2.5 mm or 3.6 mm for strain relief
- Please observe the specifications in the PROFINET Installation Guide (<http://www.profibus.com>).

Mounting the bus connector

Mount the PROFINET connector in accordance with the instructions in the PROFINET Installation Guide (<http://www.profibus.com>).

Procedure

Insert the RJ45 bus connector into the PROFINET port (port P3) on the CPU.

Note

Cable support and strain relief

If you are using a FastConnect RJ45 bus connector with 90° cable outlet (6GK1901-1BB20-2AA0), we recommend you provide strain relief for the PROFINET connecting cable. For this you need a cable tie with a standard width of 2.5 mm or 3.6 mm.

Use it to fasten the PROFINET connecting cable directly after it exits the bus connector to the provided cable support on the CPU (on the front directly below the PROFINET interface X1P3).

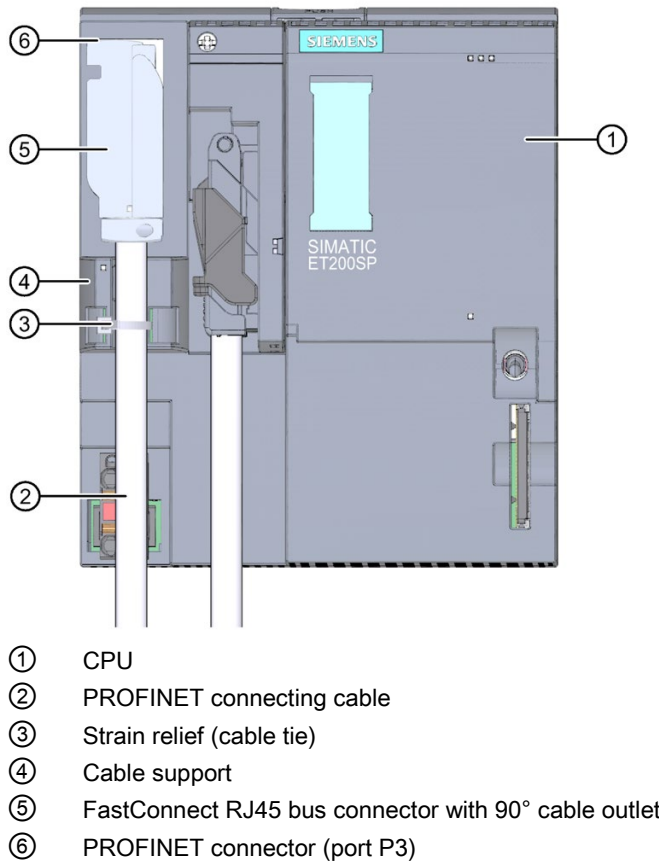


Figure 6-12 Connecting PROFINET IO (port P3) to the CPU

6.12.2 Connecting the PROFIBUS DP interface to the interface module/communications module CM DP

Introduction

Using the bus connector (RS485), connect the PROFIBUS DP to the interface module/communications module CM DP.

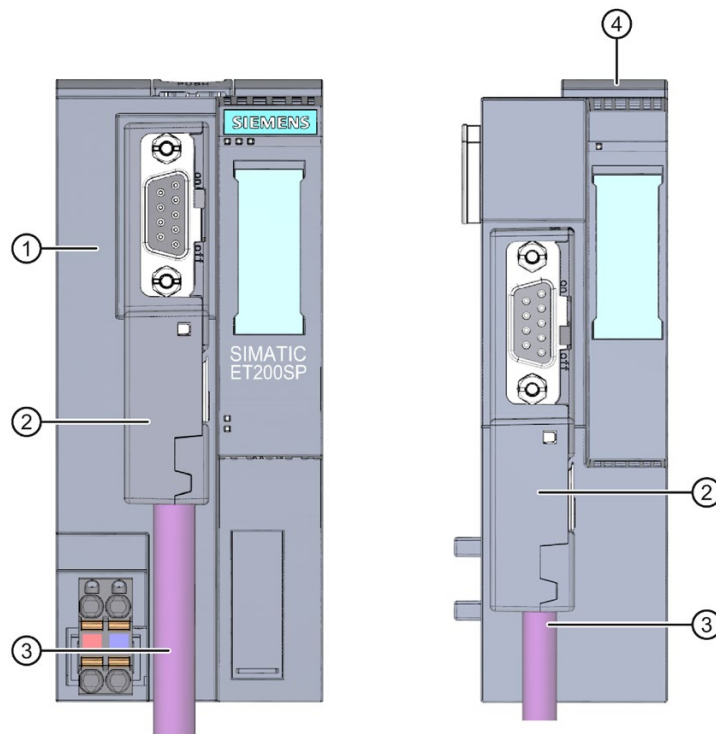
Required tools

3 to 3.5 mm screwdriver

Procedure

To connect the PROFIBUS DP interface to the interface module / DP communication module CM DP, follow these steps:

1. Connect the PROFIBUS cable to the bus connector.
2. Plug the bus connector into the PROFIBUS DP connector.
3. Securely tighten the fixing screws of the bus connector (0.3 Nm).



- ① Interface module
- ② PROFIBUS FastConnect bus connector
- ③ PROFIBUS connecting cable
- ④ Communications module CM DP

Figure 6-13 Connect PROFIBUS DP to the interface module/communications module CM DP

Reference

You can find additional information on the PROFIBUS FastConnect bus connector in the corresponding product information on the Internet (<http://support.automation.siemens.com/WW/view/en/58648998>).

6.13 Inserting I/O modules / motor starters and BU covers

Introduction

- You insert the I/O modules on the BaseUnits. The I/O modules are self-coding and type-coded.
- You insert the PotDis-TerminalBlocks on the PotDis-BaseUnits.
- You insert the BU covers on BaseUnits whose slots are not equipped with I/O modules/PotDis-TerminalBlocks.
- You insert the BU covers on BaseUnits whose slots have been reserved for future expansion (as empty slots).
- The BU covers for motor starters serve as touch protection covers for unoccupied slots.

The BU covers have a holder for the reference identification label on the inside. For future expansion of the ET 200SP, remove the reference identification label from the holder and insert it into the final I/O module.

It is not possible to attach a reference identification label to the BU cover itself.

There are three versions:

- BU cover with a width of 15 mm
- BU cover with a width of 20 mm
- BU cover with a width of 30 mm (for motor starters)

Requirement

Refer to chapter "Application planning (Page 33)".

Plugging in I/O modules and BU covers

Watch video sequence: "Insert I/O modules"

(<http://support.automation.siemens.com/WW/view/en/95886218>)

Insert the I/O module or BU cover parallel into the BaseUnit until you hear both latches click into place.

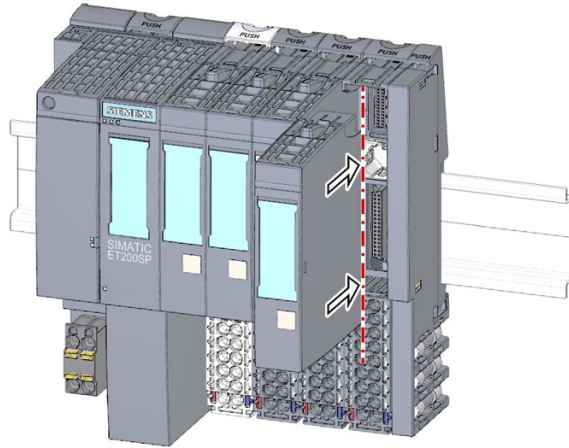


Figure 6-14 Plugging in I/O modules or BU covers (using an I/O module as example)

6.14 Mounting/disassembly of motor starters

6.14.1 Mounting the fan

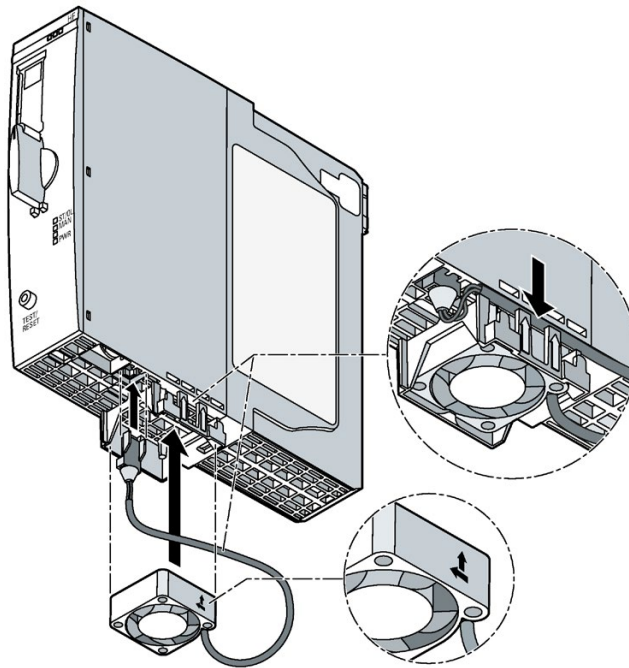
Procedure

Proceed as follows to mount a fan on a SIMATIC ET 200SP motor starter:

1. Slide the fan onto the motor starter until you can hear the fan engage.

Observe the blowing direction of the fan when mounting. The air stream must be directed to the inside of the motor starter. The correct blowing direction is indicated by arrows on the bottom of the fan.

2. Insert the connection plug into the opening above the fan.



3. Secure the fan cable to the fixing eyes on the right-hand side of the fan cover.

Note

Specified ambient temperatures are not reached if the fan is incorrectly installed

If you do not observe the blowing direction of the fan when mounting, the specified ambient temperatures will not be reached. The device shuts down prematurely due to excessively high temperature.

6.14.2 Mounting/disassembly of motor starters

Procedure

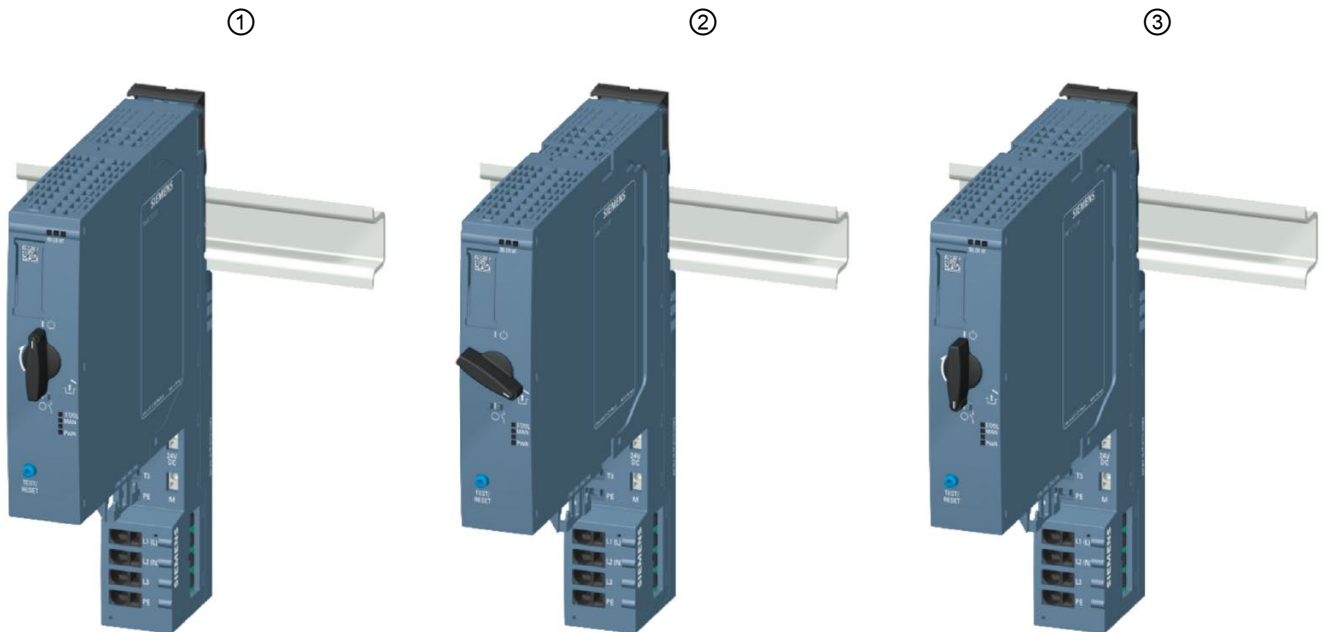
CAUTION

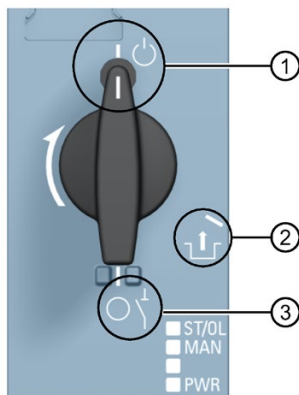
Protection against electrostatic charge

When handling and installing the SIMATIC ET 200SP motor starter, ensure protection against electrostatic charging of the components. Changes to the system configuration and wiring are only permissible after disconnection from the power supply.

To assemble a SIMATIC ET 200SP motor starter, proceed as follows:

- Position the mechanical interlock of the SIMATIC ET 200SP motor starter in the assembly/disassembly position ②
- Place the SIMATIC ET 200SP motor starter onto the BaseUnit.
- Turn the mechanical interlock clockwise to the parking position ③
- Turn the mechanical interlock counterclockwise to the operating position (= end position) ①





- ① **Operating position/READY**
The motor starter is firmly locked in the BaseUnit, and all electrical contacts are connected.
- ② **Assembly/disassembly position**
All electrical contacts are open, and you can use the SIMATIC ET 200SP motor starter in the BaseUnit, or you can remove it from the BaseUnit.
- ③ **Parking position/OFF**
In this position, you cannot remove the SIMATIC ET 200SP motor starter from the BaseUnit, but all electrical contacts are open. In addition, you can open the locking lever on the mechanical rotary interlock in this position, and fix the position with a padlock (shackle diameter 3 mm). This ensures the isolating function in accordance with IEC 60947-1.
In the parking position, the motor starter counts as a disconnected element for the head module. During operation, the parking position is therefore a hot swapping state. See also Removing and inserting I/O modules/motor starters (hot swapping) (Page 233)

**Note****Parking position/OFF**

This position is only permissible for maintenance purposes and not for continuous operation. In this position, dust protection and mechanical durability are not ensured.

If you do not use the motor starter for an extended period, remove it and attach the BU cover (3RK1908-1CA00-0BP0).

Mount the touch protection cover for the infeed bus on the last BaseUnit.

Note**Touch protection cover for the infeed bus**

You will find out how to mount the touch protection cover of the infeed bus on a SIMATIC ET 200SP motor starter in chapter "Mounting the cover for the 500 V AC infeed bus (Page 80)".

To connect the assembly, mount the server module after the last BaseUnit.

Note**Server module**

You can find out how to assemble/disassemble the server module in chapter "Installing the server module (Page 79)".

Note**Removing the motor starter**

You will find out how to remove the motor starter in chapter "Replacing a motor starter (Page 239)".

6.14.3 3DI/LC module

Introduction

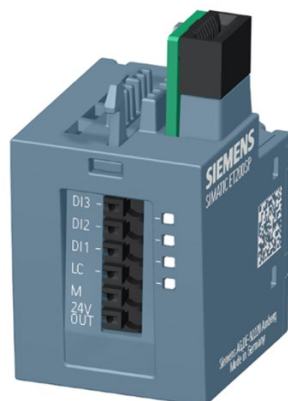
The optional 3DI/LC module with three inputs and one further LC input can be connected to the motor starter. The status of the inputs of the 3DI/LC module can be seen via the process image input (PII) of the motor starter.

Note

The 3DI/LC module can be used for the motor starter and the fail-safe motor starter.

The input actions can be parameterized. For reasons of operational safety, the LC input is permanently set to manual local mode. For example, by parameterizing the inputs DI1 - DI3 with motor CLOCKWISE or motor COUNTER-CLOCKWISE, you can control the motor in manual local mode.

The figure below shows the 3DI/LC module.



Assembly

⚠ WARNING

Risk of injury from automatic restart

When you mount the the 3DI/LC module, the motor starter can switch on autonomously if an ON command (DI1 to DI3) is active. This can result in property damage or serious injury caused by connected devices that are automatically started up.

Revoke the ON commands at DI1 to DI3 before mounting the 3DI/LC module.

Proceed as follows to mount a 3DI/LC module onto a motor starter:

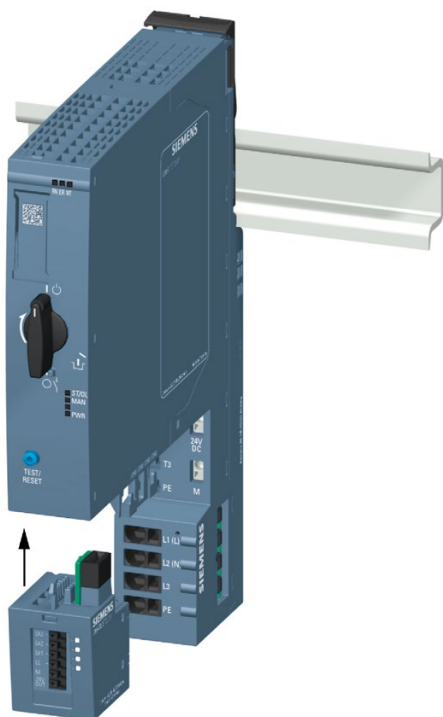
1. Wire the 3DI/LC module according to the connection diagram.

Note

Connecting the 3DI/LC module

You will find out how to connect the 3DI/LC module in chapter "Connecting the 3DI/LC module for the motor starter (Page 109)".

2. Slide the 3DI/LC module into the motor starter until the 3DI/LC module engages.



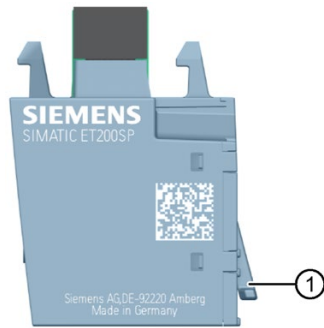
The figure below shows a motor starter with a mounted 3DI/LC module.



Disassembly

Proceed as follows to remove a 3DI/LC module from a motor starter:

1. Push the release lever on the rear of the 3DI/LC module.



- ① Release lever

2. Remove the 3DI/LC module from the motor starter while pressing the release lever.

6.15 Labeling ET 200SP

6.15.1 Factory markings

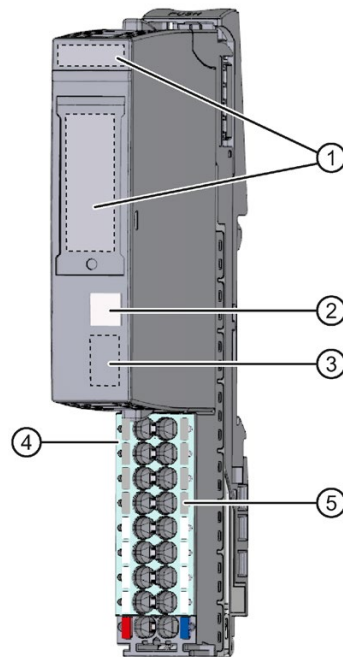
Introduction

For better orientation, the ET 200SP is equipped with various markings ex factory, which help in the configuration and connection of the modules.

Factory markings

- Module labeling
- Color coding of module type
 - Digital input modules: white
 - Digital output modules: black
 - Analog input modules: light blue
 - Analog output modules: dark blue
 - Technology module: turquoise
 - Communication module: light gray
 - Special module: mint green
- Module information
 - Functional version of the module, e.g. "X/2/3/4" (= functional version 1)
 - Firmware version of the module at delivery, e.g. "V1.0.0"
 - Color code for usable color identification label, e.g. "CC0"
 - Usable BaseUnit type, e.g. "BU: A0"

- Color coding of the potential group
 - Opening the potential group: Light-colored terminal box and light-colored mounting rail release button
 - Further conduction of the potential group: Dark-colored terminal box and dark-colored mounting rail release button
- Color coding of the spring releases
 - Process terminals: gray, white
 - AUX terminals: turquoise
 - Additional terminals: red, blue
 - Terminals for self-assembling voltage buses P1, P2: red, blue



- ① Module labeling
- ② Color coding of the module classes
- ③ Module information
- ④ Color coding of the potential group
- ⑤ Color coding of the spring releases (by group)

Figure 6-15 Factory markings

6.15.2 Optional markings

Introduction

In addition to the factory markings, there are also other options for labeling and/or marking terminals, BaseUnits and I/O modules for the ET 200SP distributed I/O system.

Optional markings

Color identification labels

The color identification labels are module-specific labels for color coding the potentials of the I/O modules. A color code (e.g. 01) is printed on each color identification label and I/O module. The color code allows you to read which color identification label is required for the terminals of the associated BaseUnit directly from the I/O module.

The following versions of color coded labels are available:

- Module-specific color combinations for the process terminals (see the device manuals I/O modules (<http://support.automation.siemens.com/WW/view/en/55679691/133300>)). The different colors have the following meaning: Gray = input or output signal, red = potential +, blue = ground.
- For the AUX terminals in the colors yellow-green, blue or red
- For the add-on terminals in the colors blue-red
- For the potential distributor modules (see manual BaseUnits (<http://support.automation.siemens.com/WW/view/en/59753521>)):
 - For PotDis-BaseUnit PotDis-BU-P1/x-R: red
For PotDis-BaseUnit PotDis-BU-P2/x-B: blue
 - For PotDis-TB-P1-R: red or gray
For PotDis-TB-P2-B: blue or gray
For PotDis-TB-BR-W: depending on application, yellow/green, blue, red or gray
For PotDis-TB-n.c.-G: gray

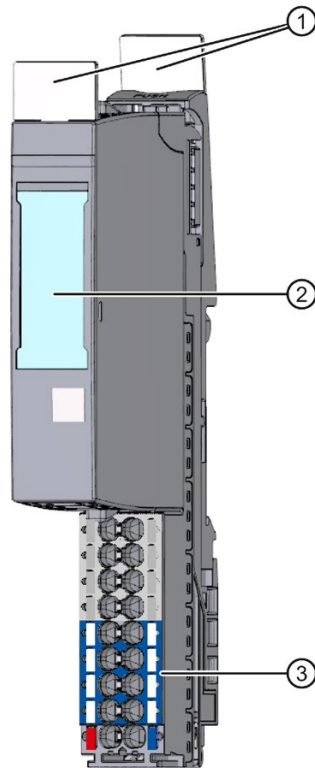
Reference identification labels

The reference identification labels (in accordance with EN 81346) can be inserted onto each CPU/interface module, BusAdapter, BaseUnit, I/O module and PotDis-TerminalBlock. This makes it possible to create a fixed assignment between the reference identification label of the BaseUnit and the I/O module/PotDis-TerminalBlock.

With the standard plotter setting, the reference identification label is suitable for automatic labeling with E-CAD systems.

Labeling strips

The labeling strips can be inserted in the CPU/interface module, I/O module and BU cover and allow identification of the ET 200SP distributed I/O system. The labeling strips can be ordered on a roll for thermal transfer printers or as DIN A4 format sheets for laser printers.



- ① Reference identification labels
- ② Labeling strips
- ③ Color identification labels

Figure 6-16 Optional markings

6.15.3 Applying color identification labels

Requirements

The BaseUnits must not be wired when you apply the color identification labels.

Required tools

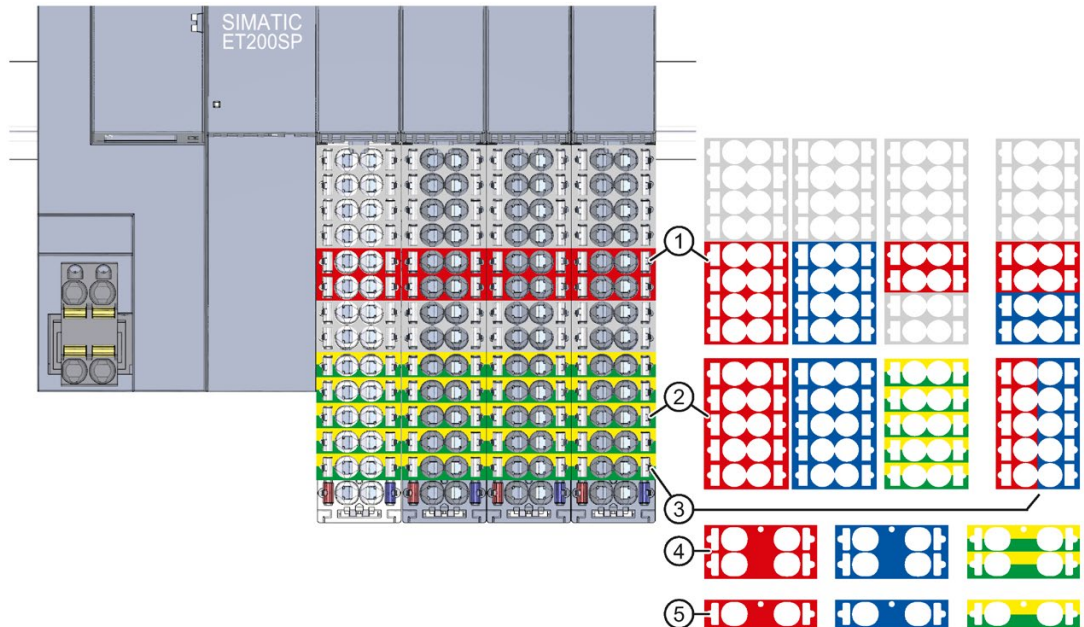
3 mm screwdriver (only for removing the color identification labels)

Applying color identification labels

Press color identification labels into the terminal box of the BaseUnit.

Note

To remove the color identification labels, you must first disconnect the wiring on the BaseUnit and then carefully lever the color identification labels out of the holder using a screwdriver.



- ① Module-specific color identification labels (15 mm) for the process terminals. You can find additional information in the I/O Module (<http://support.automation.siemens.com/WW/view/en/55679691/133300>) manual.
- ② Color identification labels (15 mm) for the 10 AUX terminals
- ③ Color identification label (15 mm) for the 10 add-on terminals
- ④ Color identification labels (20 mm) for the 4 AUX terminals
- ⑤ Color identification labels (20 mm) for the 2 AUX terminals

Figure 6-17 Applying color identification labels (example)

NOTICE
AUX bus as PE bar If you use an AUX bus as a protective conductor (PE), attach the yellow-green color identification labels to the AUX terminals. If you stop using the AUX terminals as a protective conductor bar, remove the yellow-green color identification labels and make sure that the system is still protected.

NOTICE
Supply of incorrect potential possible Check that the color-coded labels/wiring is correct before commissioning the plant.

6.15.4 Applying labeling strips

Procedure

Watch video sequence: "Labeling"
(<http://support.automation.siemens.com/WW/view/en/95886218>)

Proceed as follows to install a labeling strip:

1. Label the strips.
2. Insert the labeling strip into the interface module or I/O module.

6.15.5 Applying reference identification labels

Procedure

Watch video sequence: "Labeling"

(<http://support.automation.siemens.com/WW/view/en/95886218>)

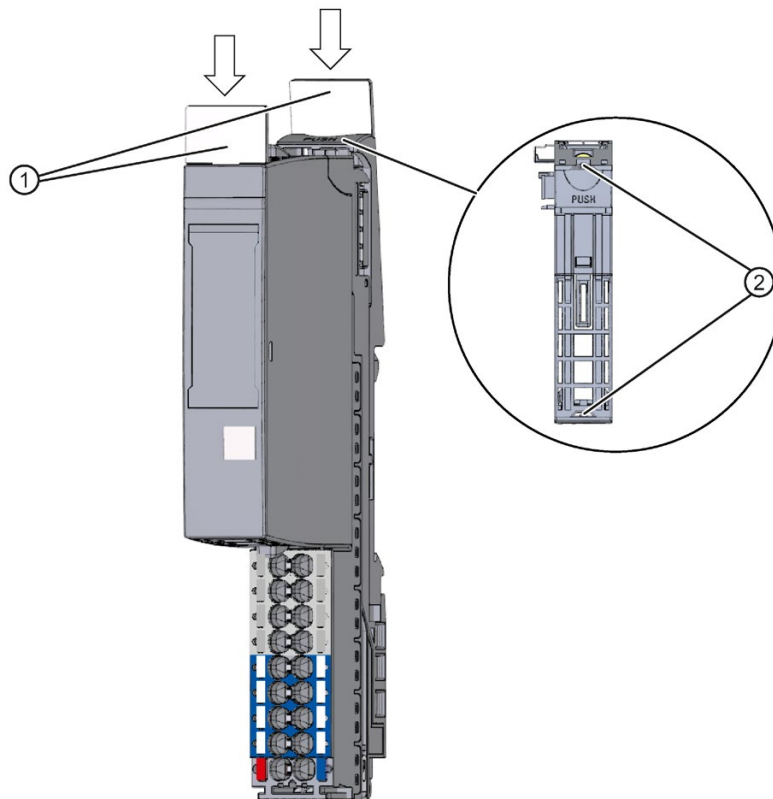
Proceed as follows to install a reference identification label:

1. Break off the reference identification labels from the sheet.
2. Insert the reference identification labels into the opening on the CPU/interface module, BusAdapter, BaseUnit, I/O module and PotDis-TerminalBlock. The insertion opening is located on top of the BaseUnit or the I/O module/PotDis-TerminalBlock.

Note

Reference identification label

The printable side of the reference identification label must be facing forward.



- ① Reference identification labels
- ② Opening for label

Figure 6-18 Applying reference identification labels

Configuring

7.1 Configuring ET 200SP

Introduction

The ET 200SP distributed I/O system is configured and assigned parameters with STEP 7 (CPU/interface module, I/O modules, motor starter and server module) or using configuration software of a third-party manufacturer (interface module, I/O modules, motor starter and server module).

"**Configuring**" is understood to mean the arranging, setup and networking of devices and modules within the device view or network view. STEP 7 graphically represents modules and racks. Just like "real" module racks, the device view allows the insertion of a defined number of modules.

When the modules are inserted, STEP 7 automatically assigns the addresses and a unique hardware identifier (HW identifier). You can change the addresses later. The hardware identifiers cannot be changed.

When the automation system is started, the CPU/interface module compares the configured planned configuration with the system's actual configuration. You can make parameter settings to control the response of the CPU/interface module to errors in the hardware configuration.

"**Parameterizing**" the components used signifies setting their properties. During parameter assignment, the hardware parameters are set and the settings for data exchange are made:

- Properties of the modules to which parameters can be assigned
- Settings for data exchange between components

STEP 7 compiles the hardware configuration (result of "configuring" and "assigning parameters") and downloads it to the CPU/interface module. The CPU/interface module then connects to the configured components and transfers their configuration and parameters. Modules can be replaced very easily because STEP 7 transfers the configuration and parameters when a new module is inserted.

Requirements for configuration of the CPU

Table 7- 1 Requirement for installing the CPU

Configuration software	Requirements	Installation information
CPU 151xSP-1 PN: STEP 7 (TIA Portal) as of V13 Update 3	<ul style="list-style-type: none"> PROFINET IO PROFIBUS DP (optional): With the communication module CM DP 	STEP 7 online help
CPU 151xSP F-1 PN: STEP 7 (TIA Portal) as of V13 SP1		
CPU 151xSP-1PN (as of FW version V1.8), CPU 151xSP F-1 PN (as of FW version V1.8): STEP 7 (TIA Portal) as of V13 SP1 Update 4		

Requirements for configuration of the interface module

Table 7- 2 Requirement for installing the interface module

Configuration software	Requirements	Installation information
STEP 7 (TIA Portal) as of V11 SP2*	<ul style="list-style-type: none"> PROFINET IO: As of Support Package HSP0024 	STEP 7 online help
PROFINET IO: STEP 7 V5.5 SP4 HF1 or higher PROFINET DP: STEP 7 V5.5 SP2 or higher	<ul style="list-style-type: none"> PROFINET IO: GSD file GSDML-Vx.y-siemens-et200sp-"Date in format yyyyymmdd".xml (http://support.automation.siemens.com/WW/view/en/19698639/130000) 	
Software of third-party manufacturer	<ul style="list-style-type: none"> PROFIBUS DP: GSD file SI0xxxx.gsx (http://support.automation.siemens.com/WW/view/en/10805317/14280) 	Manufacturer documentation

* The TIA Portal supports GSDML specification V2.25. The ET 200SP distributed I/O system is delivered with a GSD file based on specification V2.3. The GSD file can be installed in the TIA Portal and used without restrictions.

Configuring a motor starter

You configure SIMATIC ET 200SP motor starters in exactly the same way as the I/O modules of the ET 200SP distributed I/O system. The GSD files can be used with STEP 7 V5.5 SP4 and higher, and TIA Portal V13 SP1 and higher.

Configuration of the ET 200SP

See the STEP 7 online help or the documentation of the configuration software manufacturer.

Note

For I/O modules that are installed on a BaseUnit BU..D (light-colored BaseUnit), you always have to set the parameter "Potential group" to "Enable new potential group". If you do not set this parameter correctly, the CPU/interface module goes to STOP and generates a parameter error.

Note

For PROFIBUS with configuration via GSD file

In the configuration software, you must set for the BU covers whether these are on a light-colored or dark-colored BaseUnit.

Configuring F-modules with a GSD file

If you want to configure F-modules with a GSD file, you need S7-FCT in order to calculate the F_iPar_CRC and assign the PROFIsafe addresses. Additional information can be found on the Internet (<https://support.industry.siemens.com/cs/ww/en/view/109763833>).

You can find S7-FCT on the Internet (<https://support.industry.siemens.com/cs/ww/en/view/109762827>).

7.2 Configuring the CPU

7.2.1 Reading out the configuration

Introduction

When a connection to a CPU present in the configuration exists, you use the "Hardware detection" function to read out the configuration of this CPU, including centrally configured modules, and apply it to your project. You do not need to manually configure the CPU and the centrally present modules, as the physical configuration is read out automatically.

If you have already configured a CPU and the centrally present modules and you want to load the current configuration and parameters in a new project, it is advisable to use the "Upload device as new station" function. For additional information about this function, refer to section Backing up and restoring the CPU configuration (Page 217).

Procedure for reading out an existing configuration

1. Create a new project and configure an "Unspecified CPU".



Figure 7-1 Unspecified CPU in the device view

2. In the device view (or in the network view), select the "Hardware detection" command in the "Online" menu.

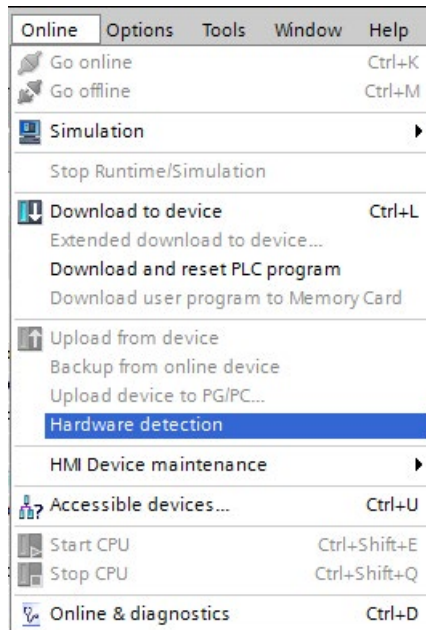


Figure 7-2 Hardware detection in the Online menu

You can also double-click the CPU and click "Detect" in the message.

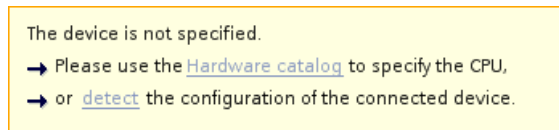


Figure 7-3 Hardware detection message in the device view

3. In the "Hardware detection for PLC_x" dialog box, click "Refresh". Then, select the CPU and the PG/PC interface and click "Detect".
STEP 7 downloads the hardware configuration including the modules from the CPU to your project.

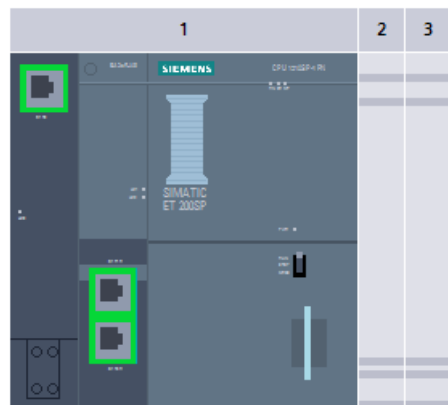


Figure 7-4 Result of the hardware detection in the device view

STEP 7 assigns a valid default parameter assignment for all modules. You can change the parameter assignment subsequently.

Note

If you want to go online after the hardware detection, you have to first download the detected configuration to the CPU; otherwise, an error may occur due to inconsistent configurations.

Properties of central modules

The properties of the CPUs have special significance for system behavior. You can set the following for a CPU using STEP 7:

- Startup behavior
- Parameter assignment of the interface(s), for example, IP address, subnet mask
- Web server, e.g. activation, user administration, and languages
- OPC UA server
- Global Security Certificate Manager
- Cycle times, e.g. maximum cycle time
- System and clock memory
- Protection level for access protection with assigned password parameter
- Time and day settings (daylight saving/standard)

The properties that can be set and the corresponding value ranges are specified by STEP 7. Fields that cannot be edited are grayed out.

Reference

Information about the individual settings can be found in the online help and in the manuals of the relevant CPUs.

7.2.2 Addressing

Introduction

In order to address the automation components or I/O modules, they have to have unique addresses. The following section explains the various address areas.

I/O address

I/O addresses (input/output addresses) are required in the user program to read inputs and set outputs.

STEP 7 automatically assigns input and output addresses when you connect the modules. Each module uses a continuous area in the input and/or output addresses corresponding to its volume of input and output data.

Module	Rack	Slot	I address	Q addr...	Type	Order no.	Firmware
▼ PLC_1	0	1			CPU 1510SP-1 PN	6ES7 510-1DJ00-0AB0	V1.6
▼ PROFINET-Schnittstelle_1	0	1 X1			PROFINET interface		
Port_1	0	1 X1 P1			Port		
Port_2	0	1 X1 P2			Port		
Port_3	0	1 X1 P3			Port		
	0	1 X2					
DI 4x120..230VAC ST_1	0	2	0		DI 4x120..230VAC ST	6ES7 131-6FD00-0BB1	V1.0
DQ 8x24VDC/0.5A ST_1	0	3		0	DQ 8x24VDC/0.5A ST	6ES7 132-6BF00-0BA0	V1.1
AI 8xRTD/TC 2-wire HF_1	0	4	1...16		AI 8xRTD/TC 2-wire ...	6ES7 134-6JF00-0CA1	V2.0
AQ 2xU/I HF_1	0	5		1...4	AQ 2xU/I HF	6ES7 135-6HB00-0CA1	V1.0

Figure 7-5 Example with input / output addresses from STEP 7

STEP 7 assigns the address areas of the modules by default to the process image partition 0 ("Automatic updating"). This process image partition is updated in the main cycle of the CPU.

Device address (e.g. Ethernet address)

Device addresses are addresses of programmable modules with interfaces to a subnet (e.g., IP address or PROFIBUS address). They are required to address the various devices on a subnet, for example, to download a user program.

Hardware identifier

STEP 7 automatically assigns a hardware identifier to identify and address modules and submodules. You use the hardware identifier in the case of diagnostic messages or operations, for example, to identify a defective module or the module addressed.

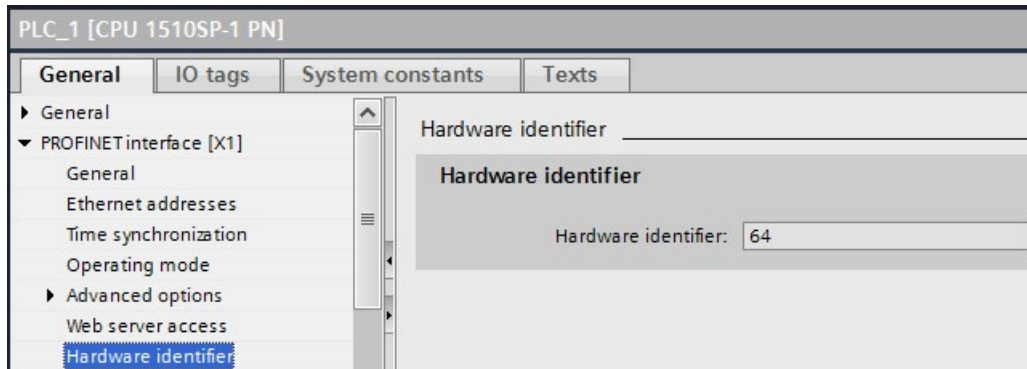


Figure 7-6 Example of a hardware identifier from STEP 7

In the "System constants" tab, you will find all hardware identifiers and their symbolic names (of the hardware identifier) for the selected module.

You can also find the hardware identifiers and names for all modules of a device in the default tag table of the "System constants" tab.

The screenshot shows a table titled 'Standard-Variablen-tabelle' with columns for Name, Data type, Value, and Comment. The table lists various hardware identifiers and their symbolic names, such as 'PROFINET-Schnittstelle_1' with a value of 64 and 'Port_3[PN]' with a value of 67.

	Name	Data type	Value	Comment
39	PROFINET-Schnittstelle_1	Hw_Interface	64	
40	Port_3[PN]	Hw_Interface	67	
41	Port_1[PN]	Hw_Interface	65	
42	Port_2[PN]	Hw_Interface	66	
43	OB_Main	OB_PCYCLE	1	
44	DI_4x120..230VAC_ST_1[DI]	Hw_SubModule	260	
45	DQ_8x24VDC_0.5A_ST_1[DO]	Hw_SubModule	261	
46	AI_8xRTD_TC_2-wire_HF_1[AI]	Hw_SubModule	262	
47	AQ_2xU_I_HF_1[AO]	Hw_SubModule	263	

Figure 7-7 Example of an excerpt from a default tag table in STEP 7

7.2.3 Process images and process image partitions

7.2.3.1 Process image - overview

Process image of the inputs and outputs

The process image input and output is an image of the signal states. The CPU transfers the values from the input and output modules to the process image input and output. At the start of the cyclic program, the CPU transfers the process image output as a signal state to the output modules. Afterwards the CPU transfers the signal states of the input modules to the process image input.

Advantages of the process image

The process image accesses a consistent image of the process signals during cyclic program execution. If a signal state at an input module changes during program processing, the signal state is retained in the process image. The CPU does not update the process image until the next cycle.

You can only assign the addresses of a module to a single process image partition.

32 process image partitions

By means of process image partitions, the CPU synchronizes the updated inputs/outputs of particular modules with defined user program sections.

The overall process image is subdivided into up to 32 process image partitions (PIP).

The CPU updates PIP 0 in each program cycle (automatic update) and assigns it to OB 1.

You can assign the process image partitions PIP 1 to PIP 31 to the other OBs during configuration of the input/output modules in STEP 7.

After the OB has been started, the CPU updates the assigned process image partition for inputs and reads in the process signals. At the end of the OB the CPU writes the outputs of the assigned process image partition directly to the peripheral outputs without having to wait for the completion of the cyclic program processing.

7.2.3.2 Automatically updating process image partitions

You can assign one process image partition to each organization block. In this case, the user program automatically updates the process image partition. The exceptions are PIP 0 and isochronous OBs.

Updating the process image partition

The process image partition is divided into two parts:

- Process image partition of the inputs (PIPI)
- Process image partition of the outputs (PIPQ)

The CPU always updates/reads the process image partition of the inputs (PIPI) before processing of the associated OB. The CPU outputs the process image of the outputs (PIPQ) at the end of the OB.

The figure below illustrates the updating of the process image partitions.

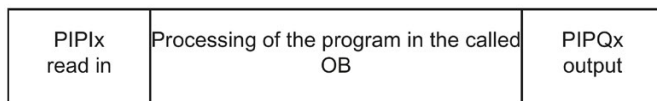


Figure 7-8 Updating process image partitions

7.2.3.3 Update process image partitions in the user program

Requirements

Alternatively, you can also use the following instructions for the process image update:

- "UPDAT_PI" instruction
- "UPDAT_PO" instruction

You will find the instructions in STEP 7 in the "Instructions" task card under "Extended instructions". The instructions can be called from any point in the program.

Requirements for updating process image partitions with the "UPDAT_PI" and "UPDAT_PO" instructions:

- The process image partitions must not be assigned to any OB. This means the process image partitions are not automatically updated.

Note

Update of PPI 0

PIP 0 (automatic update) cannot be updated with the "UPDAT_PI" and "UPDAT_PO" instructions.

UPDAT_PI: updates the process image partition of the inputs

With this instruction you read the signal states from the input modules into the process image partition of the inputs (PIPI).

UPDAT_PO: updates the process image partition of the outputs

With this instruction you transfer the process image partition of the outputs to the output modules.

Synchronous cycle interrupt OB

In the synchronous cycle interrupt OBs, you use the "SYNC_PI" and "SYNC_PO" operations to update the process image partitions of the operations. For additional information on the synchronous cycle interrupt OBs, refer to the STEP 7 Online Help.

Direct I/O access to the inputs and outputs of the module

As an alternative to access via the process image, you can directly access the I/O (write and read access) if this is necessary for program-related reasons. Direct (write) access to I/O also writes to the process image. This prevents a subsequent output of the process image from again overwriting the value written by direct access.

Reference

Additional information on process image partitions is available in the function manual, Cycle and response times (<http://support.automation.siemens.com/WW/view/en/59193558>).

7.3 Configuring the interface module

Configuring

Read the STEP 7 online help and/or the documentation of the configuration software manufacturer when configuring the interface module.

The F-destination address is saved permanently on the coding element of the ET 200SP fail-safe modules. Fail-safe motor starters do not need an F-destination address or a coding element.

Note

The supply voltage L+ must be applied to the F-module when the F-destination address is assigned.

Note

Note the following in conjunction with configuration control:

Before you can use configuration control together with F-modules, you must assign the F-destination address to the F-modules at the designated slots. For this, each F-module must be inserted in the slot configured for it. The actual configuration can then differ from the specified configuration.

For additional information on assigning the F-destination address, refer to the SIMATIC Safety - Configuring and Programming (<http://support.automation.siemens.com/WW/view/en/54110126>) Programming and Operating Manual and to the online help for the *S7 Configuration Pack*.

Basics of program execution

8.1 Events and OBs

Start events

The table below gives an overview of the possible event sources for start events and their OBs.

Table 8- 1 Start events

Types of event sources	Possible priorities (default priority)	Possible OB numbers	Default system response ¹⁾	Number of OBs
Starting ²⁾	1	100, ≥ 123	Ignore	0 to 100
Cyclic program ²⁾	1	1, ≥ 123	Ignore	0 to 100
Time-of-day interrupt ²⁾	2 to 24 (2)	10 to 17, ≥ 123	Not applicable	0 to 20
Time-delay interrupt ²⁾	2 to 24 (3)	20 to 23, ≥ 123	Not applicable	0 to 20
Cyclic interrupt ²⁾	2 to 24 (8 to 17, frequency dependent)	30 to 38, ≥ 123	Not applicable	0 to 20
Hardware interrupt ²⁾	2 to 26 (18)	40 to 47, ≥ 123	Ignore	0 to 50
Status interrupt	2 to 24 (4)	55	Ignore	0 or 1
Update interrupt	2 to 24 (4)	56	Ignore	0 or 1
Manufacturer-specific or profile-specific interrupt	2 to 24 (4)	57	Ignore	0 or 1
Synchronous cycle interrupt	16 to 26 (21)	61 to 64, ≥ 123	Ignore	0 to 2
Time error ³⁾	22	80	Ignore	0 or 1
Cycle monitoring time exceeded once			STOP	
Diagnostics interrupt	2 to 26 (5)	82	Ignore	0 or 1
Pull/plug interrupt for modules	2 to 26 (6)	83	Ignore	0 or 1
Rack error	2 to 26 (6)	86	Ignore	0 or 1
MC-servo ⁴⁾	17 to 26 (25)	91	Not applicable	0 or 1
MC-PreServo ⁴⁾	17 to 26 (25)	67	Not applicable	0 or 1
MC-PostServo ⁴⁾	17 to 26 (25)	95	Not applicable	0 or 1
MC-Interpolator ⁴⁾	16 to 26 (24)	92	Not applicable	0 or 1

Types of event sources	Possible priorities (default priority)	Possible OB numbers	Default system response ¹⁾	Number of OBs
Programming error (only for global error handling)	2 to 26 (7)	121	STOP	0 or 1
I/O access error (only for global error handling)	2 to 26 (7)	122	Ignore	0 or 1

- 1) If you have not configured the OB.
- 2) In the case of these event sources, besides the permanently assigned OB numbers (see column: Possible OB numbers) in STEP 7 you can assign OB numbers from the range ≥ 123 .
- 3) If the maximum cycle time has been exceeded twice within one cycle, the CPU always assumes the STOP state, regardless of whether you have configured OB 80.
- 4) You will find more information on these event sources and the starting behavior in the S7-1500 Motion Control function manual.

Response to triggers

The occurrence of a start event results in the following reaction:

- If the event comes from an event source to which you have assigned an OB, this event triggers the execution of the assigned OB. The event enters the queue according to its priority.
- If the event comes from an event source to which you have not assigned an OB, the CPU executes the default system reaction.

Note

Some event sources, such as startup, pull/plug, exist even if you do not configure them.

Assignment between event source and OBs

The type of OB determines where you make the assignment between OB and event source:

- With hardware interrupts and isochronous mode interrupts, the assignment is made during the configuration of the hardware or when the OB is created.
- In the case of the MC-Servo, MC-PreServo, MC-PostServo and MC-Interpolator, STEP 7 automatically assigns the OBs 91/92 as soon as you add a technology object.
- For all other types of OB, the assignment is made when the OB is created, where applicable after you have configured the event source.

For hardware interrupts, you can change an assignment which has already been made during runtime with the instructions ATTACH and DETACH. In this case, only the actually effective assignment changes, and not the configured assignment. The configured assignment takes effect after loading, and at startup.

The CPU ignores hardware interrupts to which you did not assign an OB in your configuration or which occur after the DETACH instruction. The CPU does not check whether an OB is assigned to this event when an event arrives, but only prior to the actual processing of the hardware interrupt.

OB priority and runtime behavior

If you have assigned an OB to the event, the OB has the priority of the event. The CPU supports the priority classes 1 (lowest priority) to 26 (highest priority). The following items are essential to the processing of an event:

- Calling and processing of the assigned OB
- The update of the process image partition of the assigned OB

The user program processes the OBs exclusively on a priority basis. This means the program processes the OB with the highest priority first when multiple OB requests occur at the same time. If an event occurs that has a higher priority than the currently active OB, this OB is interrupted. The user program processes events of the same priority in order of occurrence.

Note

Communication

Communication (e.g. test functions with the PG) always works permanently with the priority 15. So as not to unnecessarily prolong program runtime in the case of time-critical applications, these OBs should not be interrupted by communication. Assign a priority >15 for these OBs.

Reference

You can find more information on organization blocks in the STEP 7 online help.

8.2 Asynchronous instructions

Introduction

In program processing, a differentiation is made between synchronous and asynchronous instructions.

The "synchronous" and "asynchronous" properties relate to the temporal relationship between the call and execution of the instruction.

The following applies to synchronous instructions: When the call of a synchronous instruction is ended, the execution is also ended.

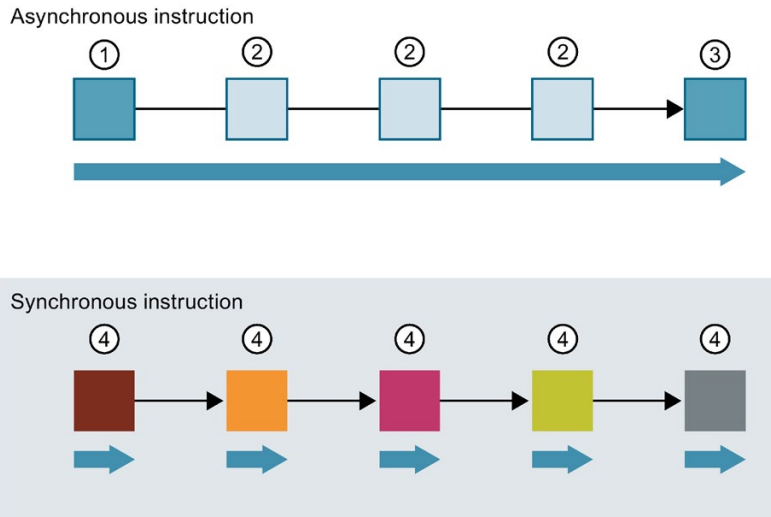
This is different in the case of asynchronous instructions: When the call of an asynchronous instruction is ended, the execution of the asynchronous instruction is not necessarily ended yet. This means the execution of an asynchronous instruction can extend over multiple calls. The CPU processes asynchronous instructions in parallel with the cyclic user program. Asynchronous instructions generate jobs in the CPU for their processing.

Asynchronous instructions are usually instructions for transferring data (data records for modules, communication data, diagnostics data).

Difference between synchronous/asynchronous instructions

The figure below shows the difference between processing an asynchronous instruction and processing a synchronous instruction. In this figure the asynchronous instruction is called five times before the execution is completed, for example, a data record is completely transferred.

With a synchronous instruction, the instruction is fully executed in each call.



- ① First call of the asynchronous instruction, start of processing
- ② Intermediate call of asynchronous instruction, continuation of processing
- ③ Last call of the asynchronous instruction, termination of processing
- ④ The synchronous instruction is completely processed at each call
- ➡ Duration of the complete processing

Figure 8-1 Difference between synchronous and asynchronous instructions

Parallel processing of asynchronous instruction jobs

A CPU can process several asynchronous instruction jobs in parallel. The CPU processes the jobs in parallel under the following conditions:

- Several asynchronous instruction jobs are called at the same time.
- The maximum number of concurrently running jobs for the instruction is not exceeded.

The figure below shows the parallel processing of two jobs of the instruction WRREC. The two instructions are processed in parallel for a specific period here.

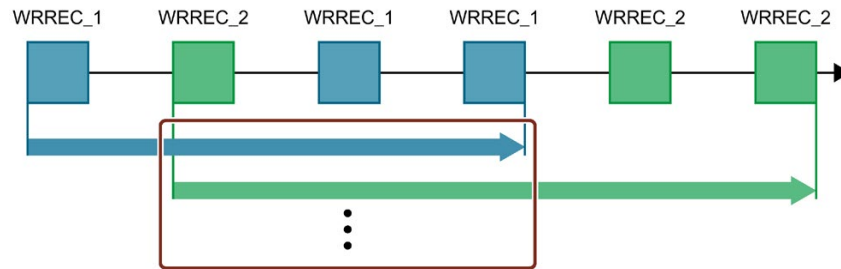


Figure 8-2 Parallel processing of the asynchronous instruction WRREC

Assignment of call to job of the instruction

To execute an instruction over multiple calls, the CPU must be able to uniquely assign a subsequent call to a running job of the instruction.

To assign a call to a job, the CPU uses one of the following two mechanisms, depending on the type of the instruction:

- Via the instance data block of the instruction (in the case of the "SFB" type)
- The input parameters of the instruction identifying the job. These input parameters must match in each call during processing of the asynchronous instruction.
Example: A "Create_DB" instruction job is identified by the input parameters LOW_LIMIT, UP_LIMIT, COUNT, ATTRIB and SRCBLK.

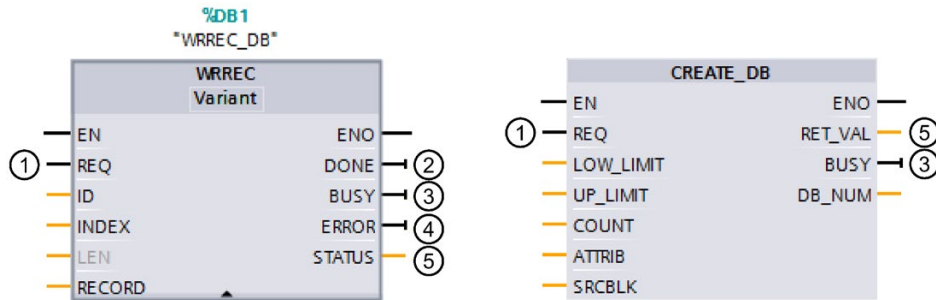
The following table shows which instruction you can identify with which input parameters.

Instruction	Job is identified by
DPSYC_FR	LADDR, GROUP, MODE
D_ACT_DP	LADDR
DPNRM_DG	LADDR
WR_DPARM	LADDR, RECNUM
WR_REC	LADDR, RECNUM
RD_REC	LADDR, RECNUM
CREATE_DB	LOW_LIMIT, UP_LIMIT, COUNT, ATTRIB, SRCBLK
READ_DBL	SRCBLK, DSTBLK
WRIT_DBL	SRCBLK, DSTBLK
RD_DPARA	LADDR, RECNUM
DP_TOPOL	DP_ID

Status of an asynchronous instruction

An asynchronous instruction shows its status via the block parameters STATUS/RET_VAL and BUSY. Many asynchronous instructions also use the block parameters DONE and ERROR.

The figure below shows the two asynchronous instructions WRREC and CREATE_DB.



- ① The input parameter REQ starts the job to execute the asynchronous instruction.
- ② The output parameter DONE indicates that the job was completed without error.
- ③ The output parameter BUSY indicates whether the job is currently being processed. When BUSY =1, a resource is assigned for the asynchronous instruction. If BUSY = 0, then the resource is free.
- ④ The output parameter ERROR indicates that an error has occurred.
- ⑤ The output parameter STATUS/RET_VAL provides information on the status of the job execution. The output parameter STATUS/RET_VAL receives the error information after the occurrence of an error.

Figure 8-3 Block parameters of asynchronous instructions using the instructions WRREC and CREATE_DB as examples.

Summary

The table below provides you with an overview of the relationships described above. It shows in particular the possible values of the output parameters if processing is not completed after a call.

Note

Following every call, you must evaluate the relevant output parameters in your program.

Relationship between REQ, STATUS/RET_VAL, BUSY and DONE during a "running" job.

Seq. no. of the call	Type of call	REQ	STATUS/RET_VAL	BUSY	DONE	ERROR
1	First call	1	W#16#7001	1	0	0
			Error code (for example, W#16#80C3 for lack of resources)	0	0	1
2 to (n - 1)	Intermediate call	Not relevant	W#16#7002	1	0	0
n	Last call	Not relevant	W#16#0000, if no errors have occurred.	0	1	0
			Error code, if errors have occurred	0	0	1

Consumption of resources

Asynchronous instructions occupy resources in the CPU while they are being processed. The resources are limited depending on the type of CPU and instruction; the CPU can only process a maximum number of asynchronous instruction jobs simultaneously. The resources are available again after a job has been successfully completed or processed with an error.

Example: For the RDREC instruction, a 1512SP-1 PN CPU can process up to 20 jobs in parallel.

If the maximum number of concurrent jobs for an instruction is exceeded, the following occurs:

- The instruction returns error code 80C3 (lack of resources) in the block parameter STATUS.
- The CPU does not execute the job until a resource becomes free again.

Note

Lower-level asynchronous instructions

Several asynchronous instructions use one or more lower-level asynchronous instructions for their processing. This dependence is shown in the tables below.

Please note that, if there are several lower-level instructions, typically only one lower-level instruction is occupied at one time.

Extended instructions: maximum number of concurrently running jobs

Table 8- 2 Maximum number of concurrently running jobs for asynchronous extended instructions and lower-level instructions used

Extended instructions	CPU 1510SP-1 PN CPU 1510SP F-1 PN	CPU 1512SP-1 PN CPU 1512SP F-1 PN
Distributed I/O		
RDREC		20
RD_REC		10
WRREC		20
WR_REC		10
D_ACT_DP		8
ReconfigIOSystem	uses RDREC, WRREC, D_ACT_DP,	
DPSYC_FR		2
DPNRM_DG		8
DP_TOPOL		1
ASI_CTRL	uses RDREC, WRREC	
PROFenergy		
PE_START_END	uses RDREC, WRREC	
PE_CMD	uses RDREC, WRREC	
PE_DS3_Write_ET200S	uses RDREC, WRREC	
PE_WOL	uses RDREC, WRREC, TUSEND, TURCV, TCON, TDISCON	
Module parameter assignment		
RD_DPAR		10
RD_DPARA		10
RD_DPARM		10
WR_DPARM		10
Diagnostics		
Get_IM_Data		10
GetStationInfo		10
Recipes and data logging		
RecipeExport		10
RecipeImport		10
DataLogCreate		10
DataLogOpen		10
DataLogWrite		10
DataLogClear		10
DataLogClose		10
DataLogDelete		10
DataLogNewFile		10
Data block functions		
CREATE_DB		10
READ_DBL		10

Extended instructions	CPU 1510SP-1 PN	CPU 1512SP-1 PN
	CPU 1510SP F-1 PN	CPU 1512SP F-1 PN
WRIT_DBL	10	
DELETE_DB	10	
File handling		
FileReadC	10	
FileWriteC	10	

Basic instructions: maximum number of concurrently running jobs

Table 8- 3 Lower-level instructions used for asynchronous basic instructions

Basic instructions	CPU 1510SP-1 PN	CPU 1512SP-1 PN
	CPU 1510SP F-1 PN	CPU 1512SP F-1 PN
Array DB		
ReadFromArrayDBL	uses READ_DBL (see Extended instructions)	
WriteToArrayDBL	uses READ_DBL, WRIT_DBL (see Extended instructions)	

Communication: maximum number of concurrently running jobs

Table 8- 4 Maximum number of concurrently running jobs for asynchronous instructions and lower-level instructions used for Open User Communication

Open User Communication	CPU 1510SP-1 PN	CPU 1512SP-1 PN
	CPU 1510SP F-1 PN	CPU 1512SP F-1 PN
TSEND TUSEND	64	88
TRCV TURCV	64	88
TCON	64	88
TDISCON	64	88
T_RESET	64	88
T_DIAG	64	88
T_CONFIG	1	
TSEND_C	uses TSEND, TUSEND, TRCV, TCON, TDISCON	
TRCV_C	uses TSEND, TUSEND, TRCV, TURCV, TCON, TDISCON	
TMAIL_C	uses TSEND, TUSEND, TRCV, TURCV, TCON, TDISCON	

8.2 Asynchronous instructions

Table 8- 5 Lower-level instructions used for asynchronous instructions for MODBUS TCP

MODBUS TCP	CPU 1510SP-1 PN CPU 1510P F-1 PN	CPU 1512SP-1 PN CPU 1512SP F-1 PN
MB_CLIENT	uses TSEND, TUSEND, TRCV, TURCV, TCON, TDISCON	
MB_SERVER	uses TSEND, TUSEND, TRCV, TURCV, TCON, TDISCON	

Table 8- 6 Maximum number of concurrently running jobs for asynchronous instructions for S7 communication. The S7 communication instructions use a common pool of resources.

S7 communication	CPU 1510SP-1 PN CPU 1510SP F-1 PN	CPU 1512SP-1 PN CPU 1512SP F-1 PN
PUT GET USEND URCV BSEND BRCV	192	264

Table 8- 7 Lower-level instructions used for asynchronous instructions for communications processors

Communications processors	CPU 1510SP-1 PN CPU 1510SP F-1 PN	CPU 1512SP-1 PN CPU 1512SP F-1 PN
PtP communication		
Port_Config	uses RDDEC, WRREC	
Send_Config	uses RDDEC, WRREC	
Receive_Config	uses RDDEC, WRREC	
Send_P2P	uses RDDEC, WRREC	
Receive_P2P	uses RDDEC, WRREC	
Receive_Reset	uses RDDEC, WRREC	
Signal_Get	uses RDDEC, WRREC	
Signal_Set	uses RDDEC, WRREC	
Get_Features	uses RDDEC, WRREC	
Set_Features	uses RDDEC, WRREC	
USS communication		
USS_Port_Scan	uses RDDEC, WRREC	
USS_Port_Scan_31	uses RDDEC, WRREC	
MODBUS (RTU)		
Modbus_Comm_Load	uses RDDEC, WRREC	
Modbus_Master	uses RDDEC, WRREC	
Modbus_Slave	uses RDDEC, WRREC	
ET 200S serial interface		
S_USSI	uses CREATE_DB	
SIMATIC NET		
FTP_CMD	uses TSEND, TRCV, TCON, TDISCON	

Table 8- 8 Maximum number of concurrently running jobs for asynchronous instructions for OPC UA

OPC_UA	CPU 1510SP-1 PN	CPU 1512SP-1 PN
	CPU 1510SP F-1 PN	CPU 1512SP F-1 PN
OPC_UA_Connect	10	10
OPC_UA_Disconnect	10	10
OPC_UA_NamespaceGetIndexList	10	10
OPC_UA_NodeGetHandleList	10	10
OPC_UA_NodeReleaseHandleList	10	10
OPC_UA_TranslatePathList	10	10
OPC_UA_ReadList	10	10
OPC_UA_WriteList	10	10
OPC_UA_MethodGetHandleList	10	10
OPC_UA_MethodReleaseHandleList	10	10
OPC_UA_MethodCall	10	10
OPC_UA_ServerMethodPre	10	10
OPC_UA_ServerMethodPost	10	10
OPC_UA_ConnectionGetStatus	10	10

Technology: maximum number of concurrently running jobs

Table 8- 9 Maximum number of concurrently running jobs for asynchronous instructions for technology. The instructions for technology use a common pool of resources.

Technology	CPU 1510SP-1 PN CPU 1510SP F-1 PN CPU 1512SP-1 PN CPU 1512SP F-1 PN
Motion Control	
MC_Power MC_Reset MC_Home MC_Halt MC_MoveAbsolute MC_MoveRelative MC_MoveVelocity MC_MoveJog MC_GearIn MC_MoveSuperimposed MC_MeasuringInput MC_MeasuringInputCyclic MC_AbortMeasuringInput MC_OutputCam MC_CamTrack MC_TorqueLimiting	300

Additional information

You can find additional information on block parameter assignment in the STEP 7 online help.

Protection

9.1 Overview of the protective functions of the CPU

Introduction

This chapter describes the following functions for protecting the ET 200SP against unauthorized access:

- Access protection
- Know-how protection
- Copy protection

Further measures for protecting the CPU

The following measures additionally increase the protection against unauthorized access to functions and data of the CPU from external sources and via the network:

- Deactivation of the Web server
- Deactivation of the OPC UA server (you will find further information on the security mechanisms for OPC UA servers in the Communication (<https://support.industry.siemens.com/cs/ww/en/view/59192925>) function manual)
- Deactivation of time synchronization via an NTP server
- Deactivation of PUT/GET communication

When using the Web server, you protect your ET 200SP distributed I/O system against unauthorized access

- By setting password-protected access rights for certain users in user management.
- By using the default "Allow access via HTTPS only" option.
This option allows access to the Web server with the secure Hypertext transfer protocol HTTPS only.

9.2 Configuring access protection for the CPU

Introduction

The CPU offers four access levels to limit access to specific functions.

By setting up the access levels and the passwords for a CPU, you limit the functions and memory areas that are accessible without entering a password. You specify the individual access levels as well as the entry of their associated passwords in the object properties of the CPU.

Rules for passwords

Ensure that passwords are sufficiently secure. Passwords must not follow a machine-recognizable pattern. Follow the rules below:

- Assign a password that is at least 8 characters long.
- Use different cases and characters: uppercase/lowercase, numbers and special characters.

Access levels of the CPU

Table 9- 1 Access levels and access restrictions

Access levels	Access restrictions
Full access (no protection)	Any user can read and change the hardware configuration and the blocks.
Read access	With this access level, read-only access to the hardware configuration and the blocks is possible without entering a password, which means you can download the hardware configuration and blocks to the programming device. In addition, HMI access and access to diagnostics data is possible. Without entering the password, you cannot load any blocks or hardware configuration into the CPU. Additionally, the following are not possible without the password: <ul style="list-style-type: none">• Writing test functions• Firmware update (online)

Access levels	Access restrictions
HMI access	<p>With this access level only HMI access and access to diagnostics data are possible without entering the password.</p> <p>Without entering the password, you can neither load blocks nor the hardware configuration into the CPU, nor load blocks and hardware configuration from the CPU into the programming device. Additionally, the following are not possible without the password:</p> <ul style="list-style-type: none"> • Writing test functions • Changing the mode (RUN/STOP) • Firmware update (online) • Display of the online/offline comparison status
No access (complete protection)	<p>When the CPU has complete protection, no read or write access to the hardware configuration and the blocks is possible (without access authorization in the form of a password). HMI access is also not possible. The server function for PUT/GET communication is disabled in this access level (cannot be changed).</p> <p>Authentication with the password will again provide you full access to the CPU.</p>

An enumeration of which functions are available in the different protection levels is available in the "Setting options for the protection" entry in the STEP 7 online help.

Properties of the access levels

Each access level allows unrestricted access to certain functions without entering a password, for example, identification using the "Accessible devices" function.

The CPU's default setting is "No restriction" and "No password protection". In order to protect access to a CPU, you need to edit the properties of the CPU and set up a password. In the default access level "Full access (no protection)" every user can read and change the hardware configuration and the blocks. A password is not set and is also not required for online access.

Communication between the CPUs (via the communication functions in the blocks) is not restricted by the access level of the CPU, unless PUT/GET communication is deactivated in the "No access" (complete protection) access level.

Entry of the right password allows access to all the functions that are allowed in the corresponding level.

Note

Configuring an access level does not replace know-how protection

Configuring access levels offers a high degree of protection against unauthorized changes to the CPU by restricting the rights to download the hardware and software configuration to the CPU. However, blocks on the SIMATIC memory card are not write- or read-protected. Use know-how protection to protect the code of blocks on the SIMATIC memory card.

Behavior of functions with different access levels

The STEP 7 online help includes a table which lists the online functions that are available in the different access levels.

Selecting the access levels

To configure the access levels of a CPU, follow these steps:

1. Open the properties of the CPU in the Inspector window.
2. Open the "Protection" entry in the area navigation.

A table with the possible access levels is available in the Inspector window.

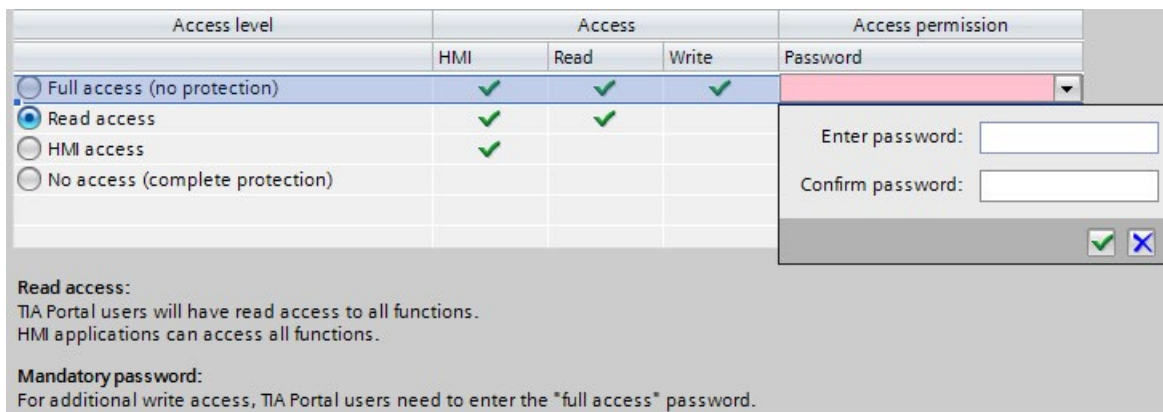


Figure 9-1 Possible access levels

3. Activate the desired protection level in the first column of the table. The green check marks in the columns to the right of the access level show you which operations are still available without entering the password. In the example (see above), read access and HMI access are still possible without a password.
4. In the "Enter password" column, specify a password for the access level "Full access" in the first row. In the "Confirm password" column, enter the selected password again to guard against incorrect entries.
5. Assign additional passwords as required for other access levels.
6. Download the hardware configuration for the access level to take effect.

The CPU logs the following actions with an entry in the diagnostic buffer:

- Input of the correct or incorrect password, as the case may be
- Changes in the configuration of access levels

Behavior of a password-protected CPU during operation

The CPU protection takes effect after you have downloaded the settings to the CPU.

Before an online function is executed, the CPU checks the necessary permission and, if necessary, prompts the user to enter a password. You can only execute password-protected functions from one programming device/PC at any time. Another programming device/PC cannot log on.

Access authorization to the protected data is in effect for the duration of the online connection or until you rescind the access authorization manually with "Online > Delete access rights".

Access levels for F-CPU

For the fail-safe CPUs, there is an additional access level in addition to the four described access levels. For additional information on this access level, refer to the description of the fail-safe system SIMATIC Safety Programming and Operating Manual SIMATIC Safety - Configuring and Programming

(<http://support.automation.siemens.com/WW/view/en/54110126>).

9.3 Using the user program to set additional access protection

Access protection via user program

You can also restrict access to a password-protected CPU in STEP 7 via the ENDIS_PW operation. You can find a description of this block in the online help under the keyword "ENDIS_PW: Limit and enable password legitimation".

9.4 Know-how protection

Application

You can use know-how protection to protect one or more OB, FB or FC blocks as well as global data blocks in your program from unauthorized access. Enter a password to restrict access to a block. The password offers high-level protection against unauthorized reading or manipulation of the block.

Password provider

As an alternative to manual entry of password, you can connect a password provider to STEP 7. When using a password provider, you select a password from a list of available passwords. When a protected block is opened, STEP 7 connects to the password provider and retrieves the corresponding password.

To connect a password provider you have to install and activate it. A settings file in which you define the use of a password provider is also required.

A password provider offers the following advantages:

- The password provider defines and manages the passwords. When know-how protected blocks are opened, you work with symbolic names for passwords. A password is marked, for example, with the symbolic name "Machine_1" in the password provider. The actual password behind "Machine1" remains hidden from you. A password provider therefore offers you optimum block protection as the users do not know the password themselves.
- STEP 7 automatically opens know-how protected blocks without the direct entry of a password. This saves you time.

You will find more information on connecting a password provider in the STEP 7 online help.

Readable data

If a block is know-how protected, only the following data is readable without the correct password:

- Block title, comments and block properties
- Block parameters (INPUT, OUTPUT, IN, OUT, RETURN)
- Call structure of the program
- Global tags without information on the point of use

Further actions

Further actions that can be carried out with a know-how protected block:

- Copying and deleting
- Calling in a program
- Online/offline comparison
- Load

Global data blocks and array data blocks

You protect global data blocks (global DBs) from unauthorized access with know-how protection. If you do not have the valid password, you can read the global data block but not change it.

Know-how protection is not available for array data blocks (array DBs).

Setting up block know-how protection

To set up block know-how protection, follow these steps:

1. Open the properties of the block in question.
2. Select the "Protection" option under "General".

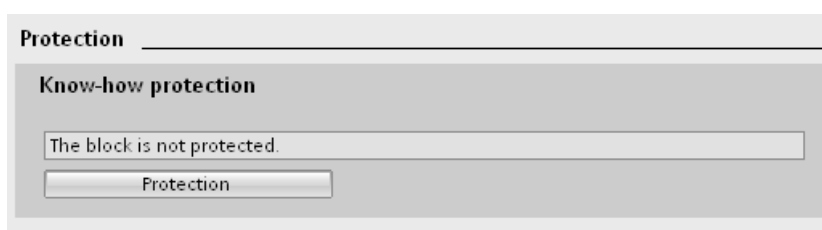


Figure 9-2 Setting up block know-how protection (1)

3. Click the "Protection" button to display the "Know-how protection" dialog.



Figure 9-3 Setting up block know-how protection (2)

4. Click the "Define" button to open the "Define Password" dialog.

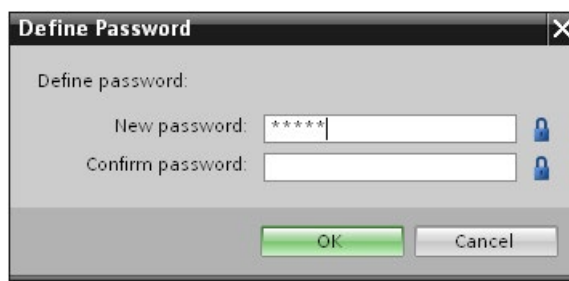


Figure 9-4 Setting up block know-how protection (3)

5. Enter the new password in the "New password" box. Enter the same password in the "Confirm password" box.

6. Click "OK" to confirm your entry.
7. Close the "Know-how protection" dialog by clicking "OK".

Result: The selected blocks are now know-how protected. Know-how protected blocks are marked with a lock in the project tree. The password entered applies to all blocks selected.

Note

Password provider

Alternatively, you can set up know-how protection for blocks with a password provider.

Opening know-how protected blocks

To open a know-how protected block, follow these steps:

1. Double-click the block to open the "Access protection" dialog.
2. Enter the password for the know-how protected block.
3. Click "OK" to confirm your entry.

Result: The know-how-protected block is open.

Once you have opened the block, you can edit the program code and the block interface of the block for as long as the block or STEP 7 is open. You must enter the password again the next time you open the block. If you close the "Access protection" dialog with "Cancel", you will be able to open the block but you cannot display the block code or edit the block.

If you copy the block or add it to a library, for example, this does not cancel the know-how protection of the block. The copies will also be know-how-protected.

Removing block know-how protection

To remove block know-how protection, follow these steps:

1. Select the block from which you want to remove know-how protection. The protected block must not be open in the program editor.
2. In the "Edit" menu, select the "Know-how protection" command to open the "Know-how protection" dialog.
3. Clear the "Hide code (Know-how protection)" check box.



Figure 9-5 Removing block know-how protection (1)

4. Enter the password.



Figure 9-6 Removing block know-how protection (2)

5. Click "OK" to confirm your entry.

Result: Know-how protection is removed from the selected block.

See also

Copy protection (Page 164)

9.5 Copy protection

Application

The copy protection allows you to protect your program against unauthorized duplication. With copy protection you associate the blocks with a specific SIMATIC memory card or CPU. Through the linking of the serial number of a SIMATIC memory card or of a CPU the use of this program or of this block is only possible in conjunction with a specific SIMATIC memory card or CPU.

Copy and know-how protection

Recommendation: to prevent unauthorized reset of copy protection, additionally apply know-how protection to a copy-protected block. To do this, first set up copy protection and then apply know-how protection for the block. You can find further information on setting up know-how protection in section Know-how protection (Page 160)

Setting up copy protection

To set up copy protection, follow these steps:

1. Open the properties of the block in question.
2. Select the "Protection" option under "General".



Figure 9-7 Setting up copy protection (1)

3. In the "Copy protection" area, select either the "Bind to serial number of the CPU" entry or the "Bind to serial number of the memory card" entry from the drop-down list.

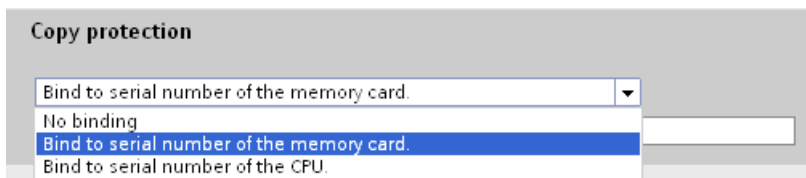


Figure 9-8 Setting up copy protection (2)

4. Activate the option "Serial number is inserted when downloading to a device or a memory card" if the serial number is to be inserted automatically during the uploading process (dynamic binding). Assign a password using the "Define password" button to link the use of a block additionally to the input of a password.
Activate the option "Enter serial number" if you want to manually bind the serial number of the CPU or the SIMATIC memory card to a block (static binding).
5. You can now set up the know-how protection for the block in the "Know-how protection" area.

Note

If you download a copy-protected block to a device that does not match the specified serial number, the entire download operation will be rejected. This means that blocks without copy protection will also not be downloaded.

Removing copy protection

To remove copy protection, follow these steps:

1. Remove any existing know-how protection.
2. Open the properties of the block in question.
3. Select the "Protection" option under "General".
4. In the "Copy protection" area, select the "No binding" entry from the drop-down list.

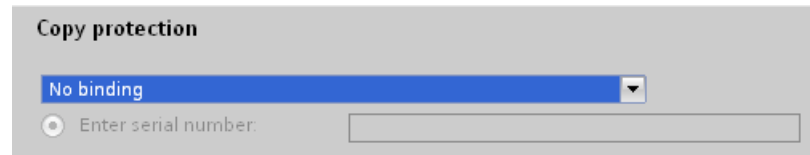


Figure 9-9 Removing copy protection

Configuration control (option handling)

Introduction

Configuration control (option handling) is used to operate various standard machine configuration levels in one project without changing the configuration or the user program.

Operating principle of configuration control

You can use configuration control to operate different standard machine configurations with a single configuration of the ET 200SP distributed I/O system.

- A station master is configured in a project (maximum configuration). The station master comprises all modules needed for all possible plant parts of a modular standard machine.
- The project's user program provides for several station options for various standard machine configuration levels as well as selection of a station option. A station option uses, for example, only some of the configured modules of the station master and these modules are inserted in the slots in a different order.
- The standard machine manufacturer selects a station option for a configuration of the standard machine. To do this, the project need not be modified, and it is not necessary to load a modified configuration.

You use a control data record you have programmed to notify the CPU/interface module as to which modules are missing or located on different slots in a station option as compared to the station master. The configuration control does not have an impact on the parameter assignment of the modules.

Configuration control allows you to flexibly vary the centralized/distributed configuration. This is only possible if the station option can be derived from the station master.

The following figure shows three configurations of a standard machine with the corresponding station options of the ET 200SP distributed I/O system.

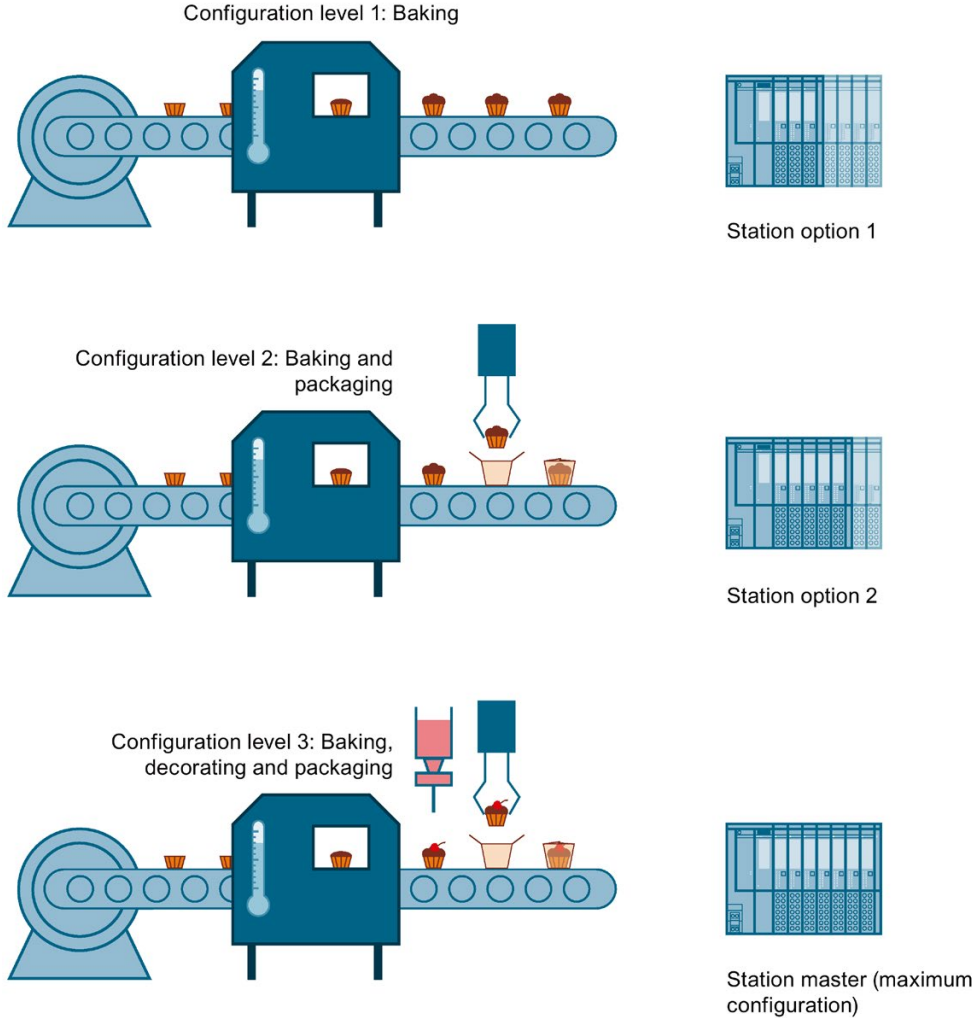


Figure 10-1 Various configuration levels of a standard machine with the corresponding station options of the ET 200SP distributed I/O system.

Advantages

- Simple project management and commissioning by using a single STEP 7 project for all station options.
- Simple handling for maintenance, versioning and upgrade:
- Hardware savings: Only those I/O modules are installed that are required for the machine's current station option.
- Savings potential in the creation, commissioning and the documentation for standard machines.
- Simple station expansion by using pre-wired empty slots. To expand, you simply exchange the BU cover for the new model. You can find further information on this in section Examples of configuration control (Page 187).

Procedure

To set up the configuration control, follow these steps:

Step	Procedure	See...
1	Enable configuration control in STEP 7	Section Configuring (Page 169)
2	Create control data record	Section Creating the control data record (Page 171)
3	Transfer control data record	Section Transferring the control data record in the startup program of the CPU (Page 182)

Library for configuration control

A library for configuration control is available on the Internet for download (<https://support.industry.siemens.com/cs/#document/29430270?lc=en-WW>). The library contains data types with the structure of the control data records for the ET 200SP distributed I/O system. You can implement your flexible automation solution inexpensively with the help of these data types.

Note

Configuration control in the case of motor starters

"Manual local" mode is possible in the case of motor starters when configuration control is active. The motor starter works with the last valid parameters. Do not change the parameterization while "manual local" mode is active.

10.1 Configuring

Requirements

Configuration control is supported by the ET 200SP distributed I/O system with both an ET 200SP CPU and with interface modules via PROFINET IO and PROFIBUS DP.

Centrally for ET 200SP CPU:

- STEP 7 Professional V13 Update 3 or higher
- CPU 1510SP-1 PN/CPU 1512SP-1 PN
- Firmware version V1.6 or higher
- All modules of the CPU must be able to start up even with different configurations.
 - The startup parameter "Comparison preset to actual configuration" of the CPU is set to "Startup CPU even if mismatch" (default setting) and the module parameter "Comparison preset to actual module" of the module is set to "From CPU" (default setting).
 - or
 - The module parameter "Comparison preset to actual module" for the module is set to "Startup CPU even if mismatch".

Distributed via PROFINET IO:

- Engineering Tool (e.g. STEP 7)
- IM 155-6 PN BA/ST/HF/HS
- You have assigned the interface module to an IO controller.

Distributed via PROFIBUS DP:

- Engineering Tool (e.g. STEP 7)
- IM 155-6 DP HF
- You have assigned the interface module to a DP master.
- The startup parameter is set to "Operate if preset configuration does not match actual configuration"

Required steps

Enable the "Allow to reconfigure the device via the user program" parameter when configuring the CPU/interface module in STEP 7 (TIA Portal).

- The "Allow to reconfigure the device via the user program" parameter is located in the "Configuration control" area for an ET 200SP CPU.
- The "Allow to reconfigure the device via the user program" parameter is located in the "Module parameter" area under "General" for an IM 155-6 PN interface module.

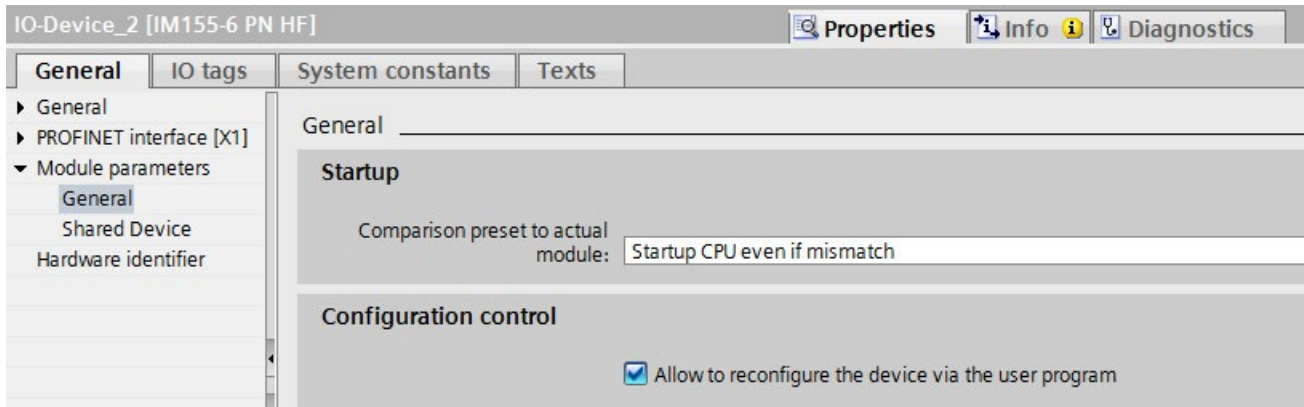


Figure 10-2 Enabling configuration control using an IM 155-6 PN HF as an example

10.2 Creating the control data record

10.2.1 Introduction

Required steps

To create a control data record for the configuration control, follow these steps:

1. Create a PLC data type that contains the structure of the control data record.
The following figure shows a PLC data type "CTR_REC", which contains the structure of the control data record for an ET 200SP interface module.

CTR_REC							
	Name	Data type	Default value	A...	V...	S...	Comment
1	Block_Lenght	USInt	134	<input checked="" type="checkbox"/>	<input checked="" type="checkbox"/>	<input type="checkbox"/>	4 + (2 x number of Slots)
2	Block_ID	USInt	196	<input checked="" type="checkbox"/>	<input checked="" type="checkbox"/>	<input type="checkbox"/>	
3	Version	USInt	2	<input checked="" type="checkbox"/>	<input checked="" type="checkbox"/>	<input type="checkbox"/>	ET 200SP
4	Subversion	USInt	0	<input checked="" type="checkbox"/>	<input checked="" type="checkbox"/>	<input type="checkbox"/>	
5	Slot 1	USInt	1	<input checked="" type="checkbox"/>	<input checked="" type="checkbox"/>	<input type="checkbox"/>	assigned "real" slot
6	Add 1	USInt	0	<input checked="" type="checkbox"/>	<input checked="" type="checkbox"/>	<input type="checkbox"/>	additional function
7	Slot 2	USInt	2	<input checked="" type="checkbox"/>	<input checked="" type="checkbox"/>	<input type="checkbox"/>	assigned "real" slot
8	Add 2	USInt	0	<input checked="" type="checkbox"/>	<input checked="" type="checkbox"/>	<input type="checkbox"/>	additional function
9	Slot 3	USInt	3	<input checked="" type="checkbox"/>	<input checked="" type="checkbox"/>	<input type="checkbox"/>	assigned "real" slot
10	Add 3	USInt	0	<input checked="" type="checkbox"/>	<input checked="" type="checkbox"/>	<input type="checkbox"/>	additional function
11	Slot 4	USInt	4	<input checked="" type="checkbox"/>	<input checked="" type="checkbox"/>	<input type="checkbox"/>	assigned "real" slot
12	Add 4	USInt	0	<input checked="" type="checkbox"/>	<input checked="" type="checkbox"/>	<input type="checkbox"/>	additional function
		USInt	5	<input checked="" type="checkbox"/>	<input checked="" type="checkbox"/>	<input type="checkbox"/>	

Figure 10-3 Creating control data record 196 using an IM 155-6 PN HF as an example

2. Create a global data block.

3. In the data block, create an array that is based on the created PLC data type.
4. In the control data records, enter the slot assignments in the "Start value" column.

The figure below shows the global data block "ConfDB". The data block "ConfDB" contains an array [0..5] of the PLC_DataType "CTR_REC".

ConfDB									
	Name	Data type	Start value	R..	A...	V...	S..	Comment	
1	Static			<input type="checkbox"/>	<input type="checkbox"/>	<input type="checkbox"/>	<input type="checkbox"/>		
2	Option	Int	0	<input checked="" type="checkbox"/>	<input checked="" type="checkbox"/>	<input checked="" type="checkbox"/>	<input type="checkbox"/>	Selection of record	
3	ConfigControl	Array[0..5] of "CTR_REC"		<input type="checkbox"/>	<input checked="" type="checkbox"/>	<input checked="" type="checkbox"/>	<input type="checkbox"/>		
4	ConfigControl[0]	"CTR_REC"		<input type="checkbox"/>	<input checked="" type="checkbox"/>	<input checked="" type="checkbox"/>	<input type="checkbox"/>		
5	ConfigControl[1]	"CTR_REC"		<input type="checkbox"/>	<input checked="" type="checkbox"/>	<input checked="" type="checkbox"/>	<input type="checkbox"/>		
6	Block_Length	USInt	0	<input type="checkbox"/>	<input checked="" type="checkbox"/>	<input checked="" type="checkbox"/>	<input type="checkbox"/>	4 + (2 x number of slots)	
7	Block_ID	USInt	196	<input type="checkbox"/>	<input checked="" type="checkbox"/>	<input checked="" type="checkbox"/>	<input type="checkbox"/>		
8	Version	USInt	2	<input type="checkbox"/>	<input checked="" type="checkbox"/>	<input checked="" type="checkbox"/>	<input type="checkbox"/>	ET 2005P	
9	Subversion	USInt	0	<input type="checkbox"/>	<input checked="" type="checkbox"/>	<input checked="" type="checkbox"/>	<input type="checkbox"/>		
10	Slot 1	USInt	1	<input type="checkbox"/>	<input checked="" type="checkbox"/>	<input checked="" type="checkbox"/>	<input type="checkbox"/>	assigned "real" slot	
11	Add 1	USInt	0	<input type="checkbox"/>	<input checked="" type="checkbox"/>	<input checked="" type="checkbox"/>	<input type="checkbox"/>	additional function	
12	Slot 2	USInt	2	<input type="checkbox"/>	<input checked="" type="checkbox"/>	<input checked="" type="checkbox"/>	<input type="checkbox"/>	assigned "real" slot	
13	Add 2	USInt	0	<input type="checkbox"/>	<input checked="" type="checkbox"/>	<input checked="" type="checkbox"/>	<input type="checkbox"/>	additional function	
14	Slot 3	USInt	3	<input type="checkbox"/>	<input checked="" type="checkbox"/>	<input checked="" type="checkbox"/>	<input type="checkbox"/>	assigned "real" slot	
15	Add 3	USInt	0	<input type="checkbox"/>	<input checked="" type="checkbox"/>	<input checked="" type="checkbox"/>	<input type="checkbox"/>	additional function	
16	Slot 4	USInt	4	<input type="checkbox"/>	<input checked="" type="checkbox"/>	<input checked="" type="checkbox"/>	<input type="checkbox"/>	assigned "real" slot	
17	Add 4	USInt	0	<input type="checkbox"/>	<input checked="" type="checkbox"/>	<input checked="" type="checkbox"/>	<input type="checkbox"/>	additional function	

Figure 10-4 Data block for configuration control

Rules

Observe the following rules:

- Slot entries in the control data record outside the station master are ignored by the CPU/interface module.
- The control data record must contain the entries up to the last slot of the station option.
- Multiple configured slots may not be assigned to the same actual slot. In other words, each station option slot may be present only once in the control data record.

Using communication modules

When configuration control (option handling) is used, you may insert the following communication modules:

- CM DP
- CP 1542SP-1
- CP 1543SP-1
- CP 1542SP-1 IRC
- BusAdapter BA-Send 1xFC

For the communication modules listed above, special slot rules apply for use with the ET 200SP CPUs:

If you insert the communication modules as mentioned above (e.g. CM DP) in the central configuration, then these modules cannot be influenced by the configuration control. You must therefore leave these modules in the slots preassigned in the station master and enter the slot numbers from the station master in the control data record ("Station option slot = Station master slot").

In a station option, all slots up to the module furthest from the CPU (see list above) must be present in the control data record.

The CM AS-i Master and F-CM AS-i Safety communication modules can be used for configuration control without the above-mentioned restrictions relating to slot numbers.

10.2.2 Control data record for an ET 200SP CPU

Slot assignment

The following table shows the possible slots for the various modules for an ET 200SP CPU:

Table 10- 1 Slot assignment

Modules	Possible slots	Comment
CPU	1	Slot 1 is always the CPU
Station extension BA-Send	2	In a mixed configuration with ET 200AL modules, BA-Send is always on slot 2.
I/O modules	2 - 65	Downstream of CPU
Server module	2 - 66	The server module completes the configuration of the ET 200SP station after the CPU/the last I/O module.
ET 200AL I/O modules	67 - 82	For mixed configuration with ET 200AL modules

Control data record

For the configuration control of an ET 200SP CPU, you define a control data record 196 V2.0, which includes a slot assignment. The maximum slot of the configuration corresponds to the slot of the server module or last slot of an ET 200AL I/O module (in a mixed ET 200SP/ET 200AL configuration).

The table below shows the structure of a control data record with explanations of the individual elements.

Table 10- 2 Configuration control: Structure of control data record 196

Byte	Element	Code	Explanation
0	Block length	4 + (maximum slot × 2)	Header
1	Block ID	196	
2	Version	2	
3	Version	0	
4	Slot 1 of the station master	Slot assignment 1 in the station option (always 1, because the CPU is always in slot 1)	<p>Control element</p> <p>Contains the information on which module is inserted in which slot. The value that you need to enter in the corresponding byte depends on the following rule:</p> <ul style="list-style-type: none"> • If the module exists in the station option, enter the slot number of the module. • If the module exists as empty slot (with BU cover), enter the slot number of the module + 128. (Example: module as empty slot on slot 3: Enter 131 in the control element) • If the module does not exist in the station option, enter 0. <p>Additional function</p> <p>Contains information on whether a new potential group will be opened in the station option - by replacing a dark-colored BaseUnit with a light-colored BaseUnit.</p> <ul style="list-style-type: none"> • If you replace a dark-colored BaseUnit with a light-colored BaseUnit, enter 1 as additional function. • If you accept the BaseUnit from the station master, enter 0 as additional function.
5	Additional function for slot 1		
6	Slot 2 of the station master	Slot assignment in the station option	
7	Additional function for slot 2		
8	Slot 3 of the station master	Slot assignment in the station option	
9	Additional function for slot 3		
:	:	:	
4 + ((server module slot - 1) × 2)	Server module slot	Server module slot assignment in the station option*	
4 + ((server module slot - 1) × 2) + 1	Additional function for server module slot		

Byte	Element	Code	Explanation
:	:	:	:
136	First slot of ET 200AL (slot 67)	Slot assignment in the station option	Control element ET 200AL Contains information on which ET 200AL module is inserted in which slot. The value that you need to enter in the corresponding byte depends on the following rule: <ul style="list-style-type: none"> • If the module exists in the station option, enter the slot number of the module. • If the module does not exist in the station option, enter 0.
137	Reserved		
:	:	:	
166	Last slot of ET 200AL (slot 82)	Slot assignment in the station option	
167	Reserved		

* The server module must be present in the station option and must not be marked as empty slot (BU cover).

10.2.3 Control data record for an interface module

Slot assignment

The following table shows the possible slots for the various modules for an ET 200SP interface module:

Table 10- 3 Slot assignment

Modules	Possible slots	Comment
Interface module	0	The interface module (slot 0) is not an element of the configuration control, but instead controls this.
Station extension BA-Send	1	For mixed configuration with ET 200AL modules, BA-Send is always on slot 1.
ET 200SP I/O module	1 - 12	for IM 155-6 PN BA
	1 - 30	for IM 155-6 PN HS
	1 - 32	for IM 155-6 PN ST, IM 155-6 DP HF
	1 - 64	for IM 155-6 PN HF, IM 155-6 PN/3 HF
Server module	1 - 13	for IM 155-6 PN BA
	1 - 31	for IM 155-6 PN HS
	1 - 33	for IM 155-6 PN ST, IM 155-6 DP HF
	1 - 65	for IM 155-6 PN HF, IM 155-6 PN/3 HF
ET 200AL I/O module	34 - 49	for IM 155-6 DP HF
	66 - 81	for IM 155-6 PN ST, IM 155-6 PN HF, IM 155-6 PN/3 HF

Simplified control data record (V1)

For the configuration control of interface modules of the ET 200SP distributed I/O system, you define a control data record 196 V1.0, which includes a slot assignment. The maximum slot of the configuration corresponds to the slot of the server module or ET 200AL I/O module (in a mixed ET 200SP / ET 200AL configuration).

The table below shows the structure of a control data record with explanations of the individual elements.

Table 10- 4 Structure of the simplified control data record V1.0

Byte	Element	Code	Explanation
0	Block length	4 + maximum slot	Header
1	Block ID	196	
2	Version	1	
3	Version	0	
4	Slot 1 of the station master	Slot assignment in the station option	Control element ET 200SP Contains the information on which ET 200SP module is inserted in which slot.
5	Slot 2 of the station master	Slot assignment in the station option	
:	:	:	The value that you need to enter in the corresponding byte depends on the following rule:
4 + (slot server module - 1)	Server module slot	Server module slot assignment in the station option*	
:	:	:	Control element ET 200AL Contains information on which ET 200AL module is inserted in which slot.
4 + (first slot ET 200AL - 1)	First slot ET 200AL	Slot assignment in the station option	
:	:	:	
4 + (last slot ET 200AL - 1)	Last slot ET 200AL	Slot assignment in the station option	The value that you need to enter in the corresponding byte depends on the following rule:
			<ul style="list-style-type: none"> If the module exists in the station option, enter the slot number of the module. If the module does not exist in the station option, enter 0.

* The server module must be present in the station option and must not be marked as empty slot (BU cover).

Control data record (V2)

If you change the potential groups in the station option compared to the station master, define a control data record 196 V2.0 for the ET 200SP interface module which contains a slot assignment. The maximum slot of the configuration corresponds to the slot of the server module or ET 200AL I/O module (in a mixed ET 200SP / ET 200AL configuration).

The table below shows the structure of a control data record with explanations of the individual elements.

Table 10- 5 Structure of control data record 196 V2.0

Byte	Element	Code	Explanation
0	Block length	4 + (maximum slot x 2)	Header
1	Block ID	196	
2	Version	2	
3	Version	0	
4	Slot 1 of the station master	Slot assignment in the station option	<p>Control element ET 200SP</p> <p>Contains the information on which ET 200SP module is inserted in which slot.</p> <p>The value that you need to enter in the corresponding byte depends on the following rule:</p> <ul style="list-style-type: none"> If the module exists in the station option, enter the slot number of the module. If the module exists as empty slot (with BU cover), enter the slot number of the module + 128. (Example: module as empty slot on slot 3: Enter 131 in the control element) If the module does not exist in the station option, enter 0. <p>Additional function</p> <p>Contains information on whether a new potential group will be opened in the station option - by replacing a dark-colored BaseUnit with a light-colored BaseUnit.</p> <ul style="list-style-type: none"> If you replace a dark-colored BaseUnit with a light-colored BaseUnit, enter 1 as additional function. If you accept the BaseUnit from the station master, enter 0 as additional function.
5	Additional function for slot 1		
6	Slot 2 of the station master	Slot assignment in the station option	
7	Additional function for slot 2		
8	Slot 3 of the station master	Slot assignment in the station option	
9	Additional function for slot 3		
:	:	:	
4 + ((server module slot - 1) × 2)	Server module slot	Server module slot assignment in the station option*	
4 + ((server module slot - 1) × 2) + 1	Additional function for server module slot		

Byte	Element	Code	Explanation
:	:	:	:
4 + ((first slot ET 200AL - 1) x 2)	First slot ET 200AL	Slot assignment in the station option	Control element ET 200AL Contains information on which ET 200AL module is inserted in which slot. The value that you need to enter in the corresponding byte depends on the following rule: <ul style="list-style-type: none"> • If the module exists in the station option, enter the slot number of the module. • If the module does not exist in the station option, enter 0.
4 + ((first slot ET 200AL - 1) x 2) + 1	Reserved		
:	:	:	
4 + ((last slot ET 200AL - 1) x 2)	Last slot ET 200AL	Slot assignment in the station option	
4 + ((last slot ET 200AL - 1) x 2) + 1	Reserved		

* The server module must be present in the station option and must not be marked as empty slot (BU cover).

Note

If a BU cover or no I/O module is plugged on a light-colored BaseUnit, you should enter 1 in the additional function for the slot.

The function "Group diagnostics: Missing supply voltage L+" requires proper assignment of the slots to a shared supply voltage L+ (potential group). All light-colored BaseUnits must be known to the interface module. By entering 1 in the additional function, you make a light-colored BaseUnit known to the interface module, even if an I/O module is not inserted.

Combination of configuration control and shared device (for PROFINET)

The configuration control function in a shared device is therefore only for the I/O modules of the IO controller to which the interface module has subscribed. I/O modules that are assigned to no controller or a different controller behave like a station without activated configuration control.

You cannot make any change to the slot assignment for modules that are assigned to another IO controller or are not assigned to an IO controller (shared device on module level). The CPU assumes a one-to-one assignment for the modules.

If additional IO controllers subscribe to a module intended for configuration control (shared device on submodule level), only one-to-one assignment is permitted for this module. It is not possible to deselect such a module using the control data record (code 0 for this slot in the control data record). This means the combination of "Configuration control" and "Shared device on submodule level" is only possible to a limited extent.

Please note that all modules affected by the configuration control including all assigned submodules are reset when you change the module assignment. Submodules that are assigned to a second IO controller are affected as well.

10.2.4 Feedback data record for interface modules

Operating principle

The feedback data record informs you about the accuracy of the module assignment and gives you the option of detecting assignment errors in the control data record. The feedback data record is mapped via a separate data record 197 V2.0. The feedback data record exists only with configured configuration control.

Slot assignment

The feedback data record refers to the configured station configuration and always includes the maximum configuration limits. The maximum configuration limits comprise 13/49/81 slots depending on the interface module in use. Partial reading of the feedback data record is possible.

The following table shows the slot assignment of the modules:

Table 10- 6 Slot assignment

Modules	Possible slots	Comment	
Station extension BA-Send	1	For mixed configuration with ET 200AL modules, BA-Send is always on slot 1.	
ET 200SP I/O module	1 - 12	for IM 155-6 PN BA	Downstream from the interface module
	1 - 30	for IM 155-6 PN HS	
	1 - 32	for IM 155-6 PN ST, IM 155-6 DP HF	
	1 - 64	for IM 155-6 PN HF, IM 155-6 PN/3 HF	
Server module	1 - 13	for IM 155-6 PN BA	The server module completes the configuration of the ET 200SP station after the last I/O module.
	1 - 31	for IM 155-6 PN HS	
	1 - 33	for IM 155-6 PN ST, IM 155-6 DP HF	
	1 - 65	for IM 155-6 PN HF, IM 155-6 PN/3 HF	
ET 200AL I/O module	34 - 49	for IM 155-6 DP HF	For mixed configuration with ET 200AL modules
	66 - 81	for IM 155-6 PN ST, IM 155-6 PN HF, IM 155-6 PN/3 HF	

Feedback data record

Table 10- 7 Feedback data record

Byte	Element	Code	Explanation
0	Block length	4 + (number of slots x 2)	Header
1	Block ID	197	
2	Version	2	
3		0	
4	Slot 1 status	0/1	Status = 1: <ul style="list-style-type: none"> Module from station master is inserted in the station option Slot is marked as not available in the control data record Status = 0: <ul style="list-style-type: none"> Module pulled Incorrect module is inserted in the station option*
5	Reserved	0	
6	Slot 2 status	0/1	
7	Reserved	0	
:	:	:	
4 + ((max. slot - 1) × 2)	Max. slot status	0/1	
4 + ((max. slot - 1) × 2) + 1	Reserved	0	

* Not possible if the slot is marked as not available.

Note

The data in the feedback data record is always mapped for all modules. In a shared device configuration, it is therefore irrelevant which IO controller the respective modules are assigned to.

As long as no control data record has been sent, a one-to-one module assignment is assumed for the compilation of data record 197 (station master → station option).

Error messages

In case of error, the RDREC instruction returns the following error messages via the STATUS block parameter while reading the feedback data record:

Table 10- 8 Error messages

Error code	Meaning
80B1 _H	Invalid length; the length information in data record 197 is not correct.
80B5 _H	Configuration control not configured
80B8 _H	Parameter error The following events cause a parameter error: <ul style="list-style-type: none"> • Incorrect block ID in the header (not equal to 197) • Invalid version identifier in the header • A reserved bit has been set • The same slot in the station option has been assigned to more than one slot in the station master

10.2.5 Data records and functions

Supported data records and functions

The table below shows a comparison of the supported data records and functions depending on the CPU/interface module used.

Supported data records and functions	CPU...		Interface module (IM...)					
	1510SP-1 PN 1510SP F -1 PN	1512SP-1 PN 1512SP F -1 PN	155-6 PN HS	155-6 PN HF	155-6 PN /3 HF	155-6 PN ST	155-6 PN BA	155-6 DP HF
Control data record (V2)	✓	✓	✓	✓	✓	✓	✓	✓
Simplified control data record (V1)	–	–	✓	✓	✓	✓	✓	–
Read back control data record *	✓	✓	✓	✓	✓	✓	✓	✓
Read feedback data record	–	–	✓	✓	✓	✓	✓	✓

* You can read back the control data record with the RDREC instruction.

10.3 Transferring control data record in the startup program of the CPU

Required steps

Transfer the created control data record 196 to the CPU/the interface module using the instruction WRREC (Write data record) instruction.

Parameters of the instruction WRREC

Below, you will find explanations of individual parameters of the WRREC instruction which you must supply with specific values in the configuration control context. You can find additional information on the WRREC instruction in the STEP 7 online help.

ID	<p>Hardware identifier</p> <ul style="list-style-type: none"> • Use the HW identifier of the CPU for the configuration control for centrally arranged modules. If you have selected the CPU in the network view or device view, the HW identifier is available in the System constants tab of the Inspector window. Use the value of the system constant "Local~Configuration". • Use the HW identifier of the interface module for the configuration control for distributed I/O. If you have selected the interface module in the network view or device view, the HW identifier is available in the System constants tab of the Inspector window. Use the value of the system constant "<Name_of_the_interface_module>~Head".
INDEX	Data record number: 196 (decimal)
RECORD	<p>Control data record to be transferred.</p> <p>See the section Creating the control data record (Page 171) for the structure of the control data record.</p>

Error messages

In case of error, the instruction WRREC returns the following error messages via the STATUS block parameter:

Table 10- 9 Error messages

Error code	Meaning
80B1 _H	Invalid length; the length information in data record 196 is not correct.
80B5 _H	Configuration control parameters not assigned.
80E2 _H	Data record was transferred in the wrong OB context. The data record must be transferred in the startup program.
80B8 _H	Parameter error A parameter error is caused by: <ul style="list-style-type: none"> • Incorrect block ID in the header (not equal to 196) • Invalid version identifier in the header • A reserved bit was set • A station master slot was assigned an invalid slot in the station option • Multiple slots in the station master are assigned to the same slot in the station option • For shared device on submodule level: Violation of defined restrictions

Selection of the station option in the user program

In order for the CPU to know which station option you want to operate, you must set up a possibility to select between the various control data records in the user program. You can implement the selection, for example, via an Int tag which references an array element.

Note that the tag used to select the control data record must be stored in the retentive memory area. If the tag is not retentive it will be initialized during the startup of the CPU and thus be unavailable for selection of the station option.

Special aspects relating to the transfer of the control data record to the CPU

- If you have enabled configuration control, the CPU is not ready for operation without a control data record. The CPU returns from startup to STOP if a valid control data record is not transferred in the startup OB. The central I/O is not initialized in this case. The cause for the STOP mode is entered in the diagnostics buffer.

Note

If an incorrect control data record is transferred to the CPU in the startup OB, the startup of the CPU may be prevented.

In this case, perform a reset to factory settings of the CPU and then transfer a correct control data record.

- The CPU processes the WRREC instruction for transfer of the control data record asynchronously. For this reason, you must call WRREC in the startup OB repeatedly in a loop until the output parameters "BUSY" or "DONE" indicate that the data record has been transferred.
 - Tip: To program the loop, use the SCL programming language with the REPEAT ... UNTIL instruction.

```
REPEAT
  "WRREC_DB"(REQ := "start_config_control",
            ID := "Local~Configuration",
            INDEX := 196,
            LEN := "conf_LEN",
            DONE => "conf_DONE",
            BUSY => "conf_BUSY",
            RECORD := "ConfDB".ConfigControl["ConfDB".Option],
            //Selection of control data record
            ERROR => "conf_ERROR",
            STATUS => "conf_STATUS");
UNTIL NOT "conf_BUSY"
END_REPEAT;
```

- In the graphical programming languages, you implement the loop using instructions for program control.

Example in FBD: Use the LABEL (jump label) and JMP (jump at RLO=1) instructions to program a loop.

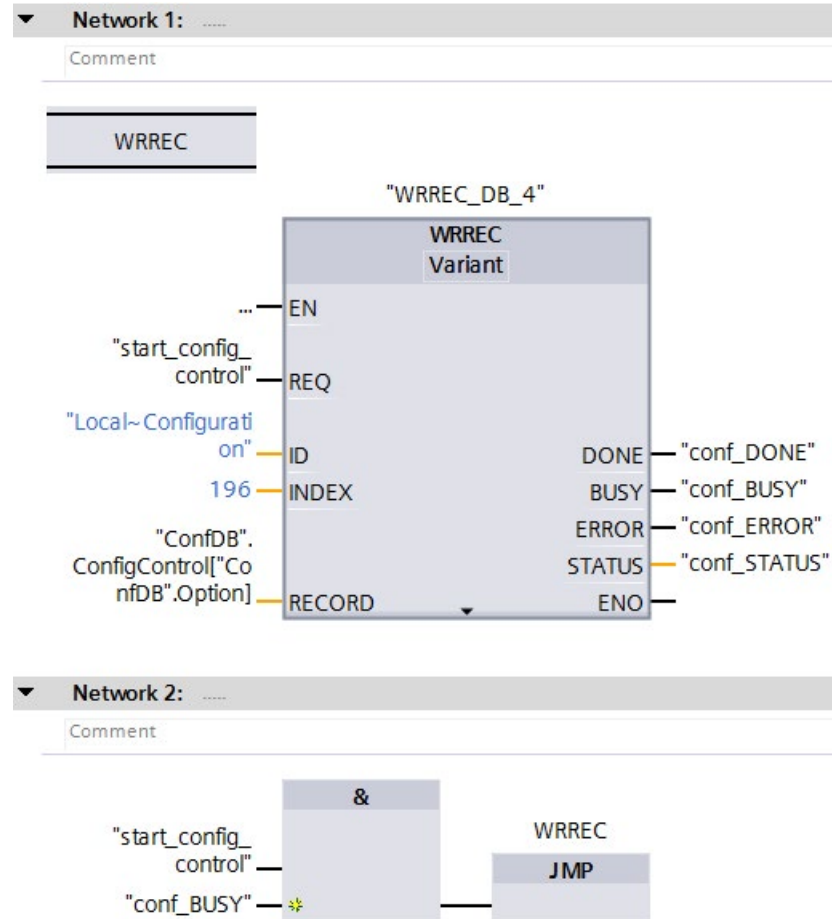


Figure 10-5 WRREC

- The control data record is stored retentively in the CPU. Note:
 - The retentivity of the control data record is independent of the retentivity settings in the STEP 7 memory area. This means that the memory area in which the control data record is configured does not have to be configured as retentive for this purpose.
 - If you write a control data record with modified configuration, the original data record 196 is deleted and the new data record 196 is saved retentively. The CPU will then restart with the modified configuration.
 - The control data record is saved retentively in the CPU, which means that it is not necessary to write the control data record 196 again at a restart if the configuration is unchanged. We recommend that a memory reset of the CPU be performed prior to commissioning to delete any control data record that may be present.

Special aspects relating to the transfer of the control data record to the interface module

- If you have enabled configuration control, the ET 200SP station is not ready for operation without a control data record. As long as no valid control data record has been transferred, the I/O modules are considered as failed by the CPU and exhibit substitute value behavior. The interface module continues to exchange data.
- The control data record is stored retentively in the interface module. Note:
 - If there have been no changes to the configuration, you do not need to rewrite the control data record 196 during restart.
 - If you write a control data record with modified configuration to the interface module, it will result in a station failure in the distributed I/O system. The original data record 196 is deleted and the new data record 196 is saved retentively. The station will then restart with the modified configuration.

10.4 Behavior during operation

Effect of discrepancy between station master and station option

For the online display and for the display in the diagnostics buffer (module OK or module faulty), the station master is always used and not the differing station option.

Example: A module supplies diagnostic information. This module is configured in slot 4 in the station master, but is inserted in slot 3 in the station option (missing module; see example in the next section). The online view (station master) shows a faulty module in slot 4. In the real configuration, the module in slot 3 indicates an error via an LED display.

Response when modules are missing

If modules are entered as not present in the control data record, the automation system behaves as follows:

- Modules designated as not present in the control data record do not supply diagnostics and their status is always OK. The value status is OK.
- Direct write access to the outputs that are not present or write access to the process image of the outputs that are not present: Remains without effect; no access error is signaled.
- Direct read access to the inputs that are not present or read access to the process image of the inputs that are not present: Value "0" is supplied; no access error is signaled.
- Write data record to module that is not present: Remains without effect; no error is signaled.
- Read data record from module that is not present: An error is signaled because a valid data record cannot be returned.

Inserting modules on empty slots

If you replace a BU cover placed on an empty slot with an I/O module when configuration control is enabled, the ET 200SP distributed I/O system behaves as follows:

- **Interface module:** When the BU cover is removed, a removal interrupt is signaled. When the I/O module is inserted, an insertion alarm (wrong module) is signaled.
- **CPU:** A removal/insertion interrupt is not signaled when the BU cover is removed or when the I/O module is inserted.

10.5 Examples of configuration control

A station master consisting of an interface module, three I/O modules and the server module is configured in STEP 7 in the following section.

Four station options are derived from the station master with the configuration control:

- Station option 1 with module that is not present
- Station option 2 with modified order of modules
- Station option 3 with empty slot
- Station option 4: Opening a new potential group

Station option 1 with module that is not present

The module that is located in slot 3 in the station master is not present in the station option 1. Slot 3 must be designated in the control data record accordingly with 0 (= not present). The server module is located in slot 3 in the station option.

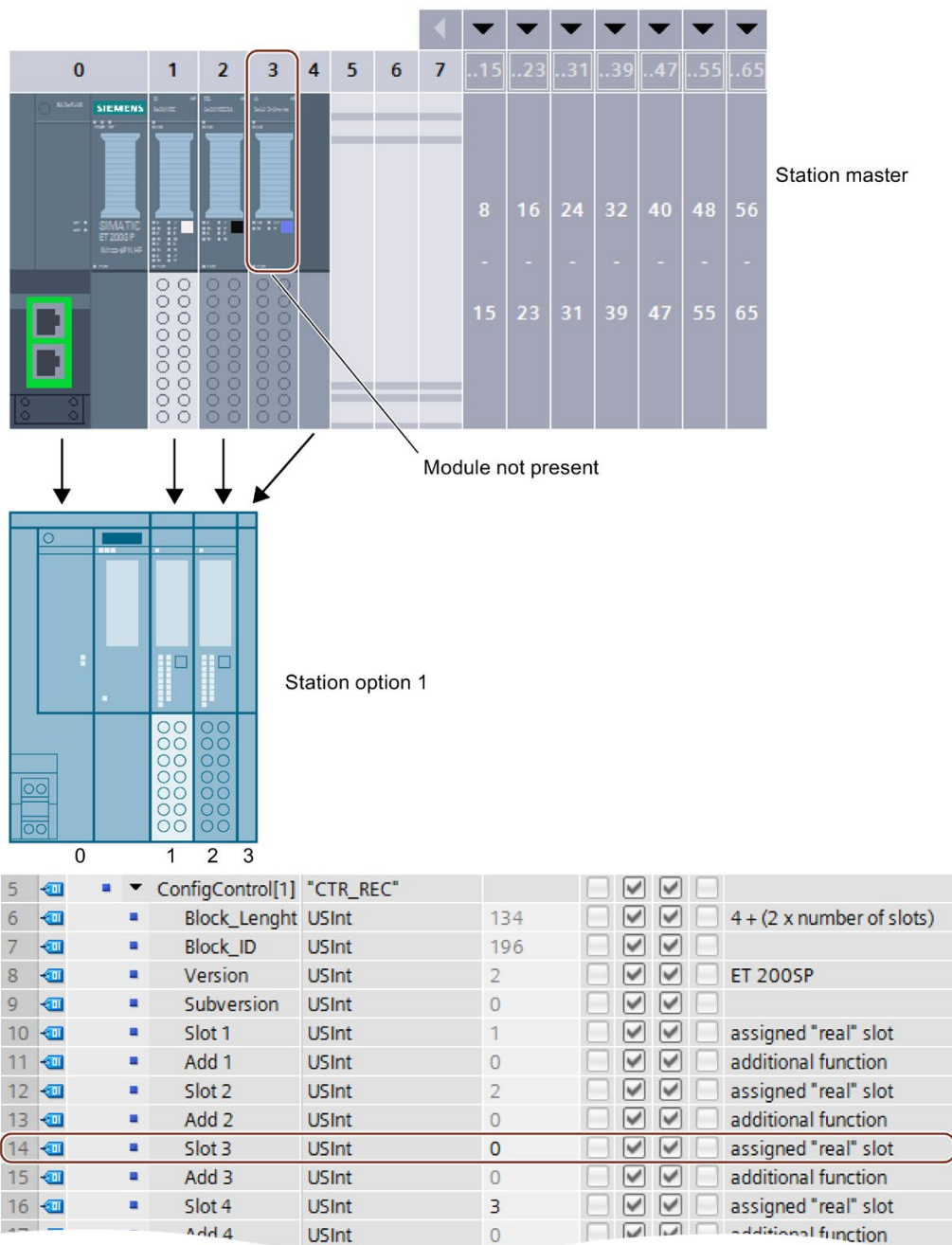


Figure 10-6 Example: Hardware configuration of station option 1 with the associated control data record in STEP 7

Station option 2 with modified order of modules

The order of the modules at slots 2 and 3 is interchanged.

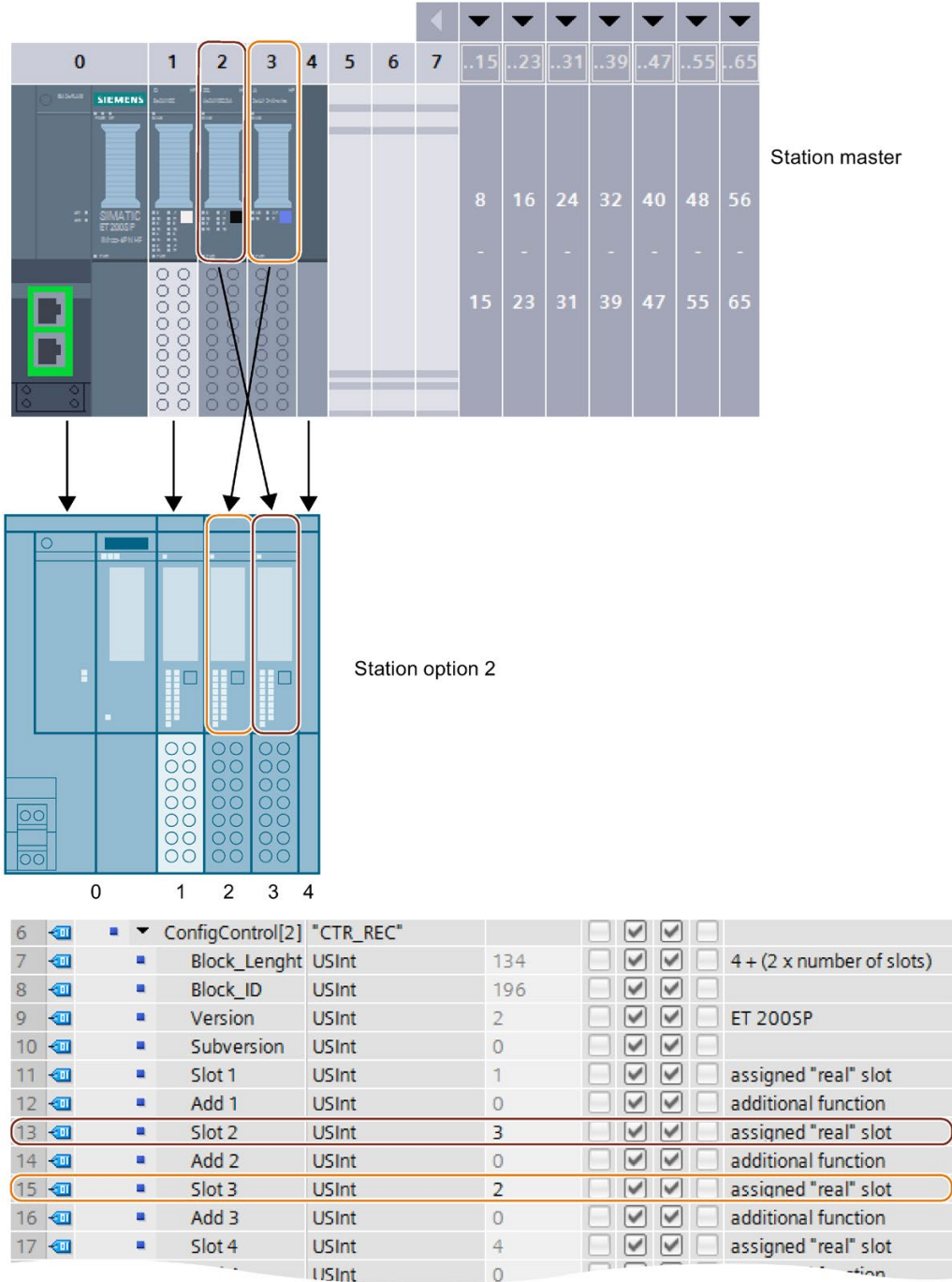


Figure 10-7 Example: Hardware configuration of station option 2 with the associated control data record in STEP 7

Station option 3 with empty slot

The module that is located in slot 3 in the station master occupies an empty slot with BU cover in the station option. Enter the value 130 in slot 3 in the control data record.

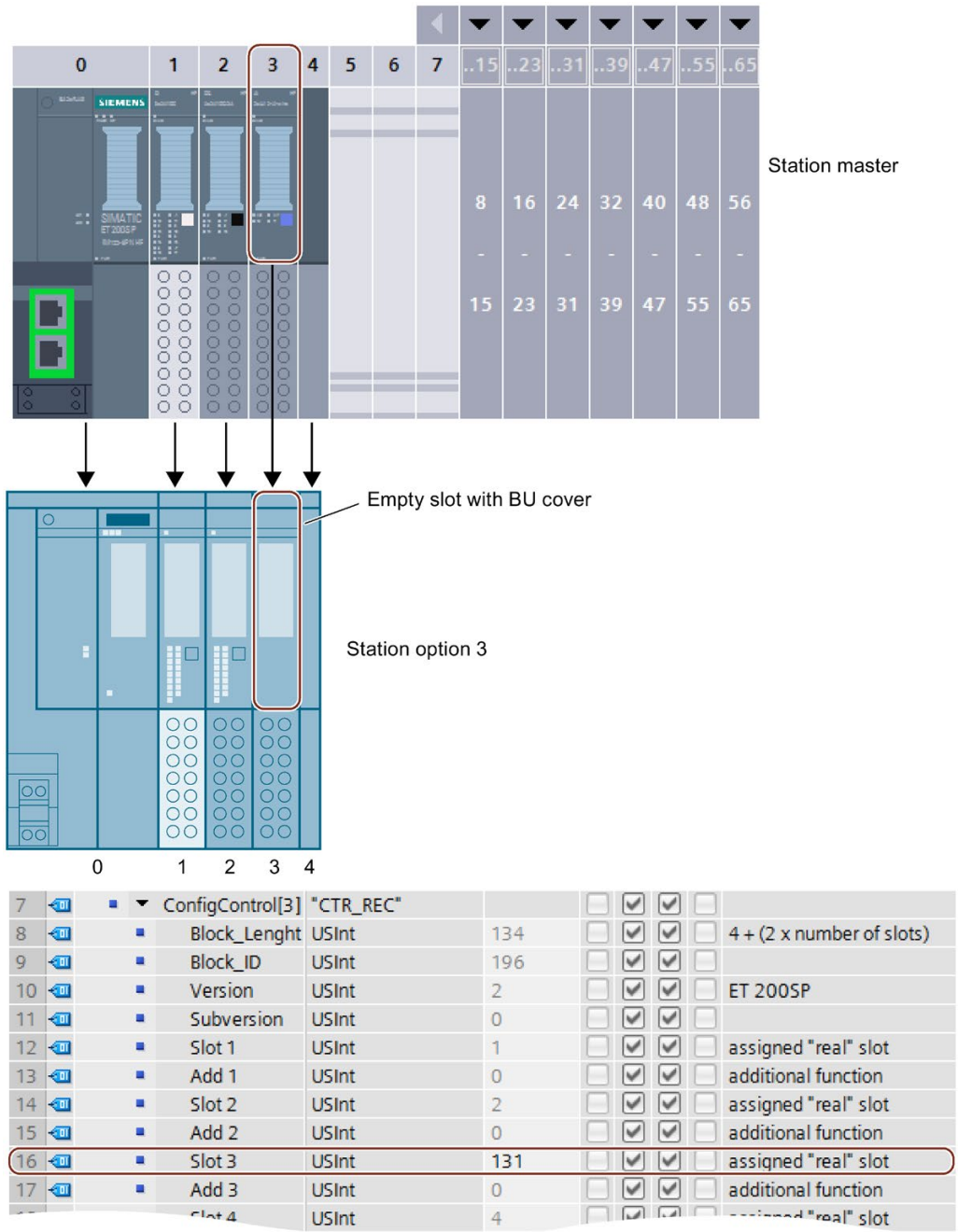


Figure 10-8 Example: Hardware configuration of station option 3 with the associated control data record in STEP 7

Station option 4: Opening a new potential group

A new potential group is opened at slot 3 of station option 4. Compared to the station master, a dark-colored BaseUnit is replaced by a light-colored BaseUnit. Enter the value 1 as additional function.

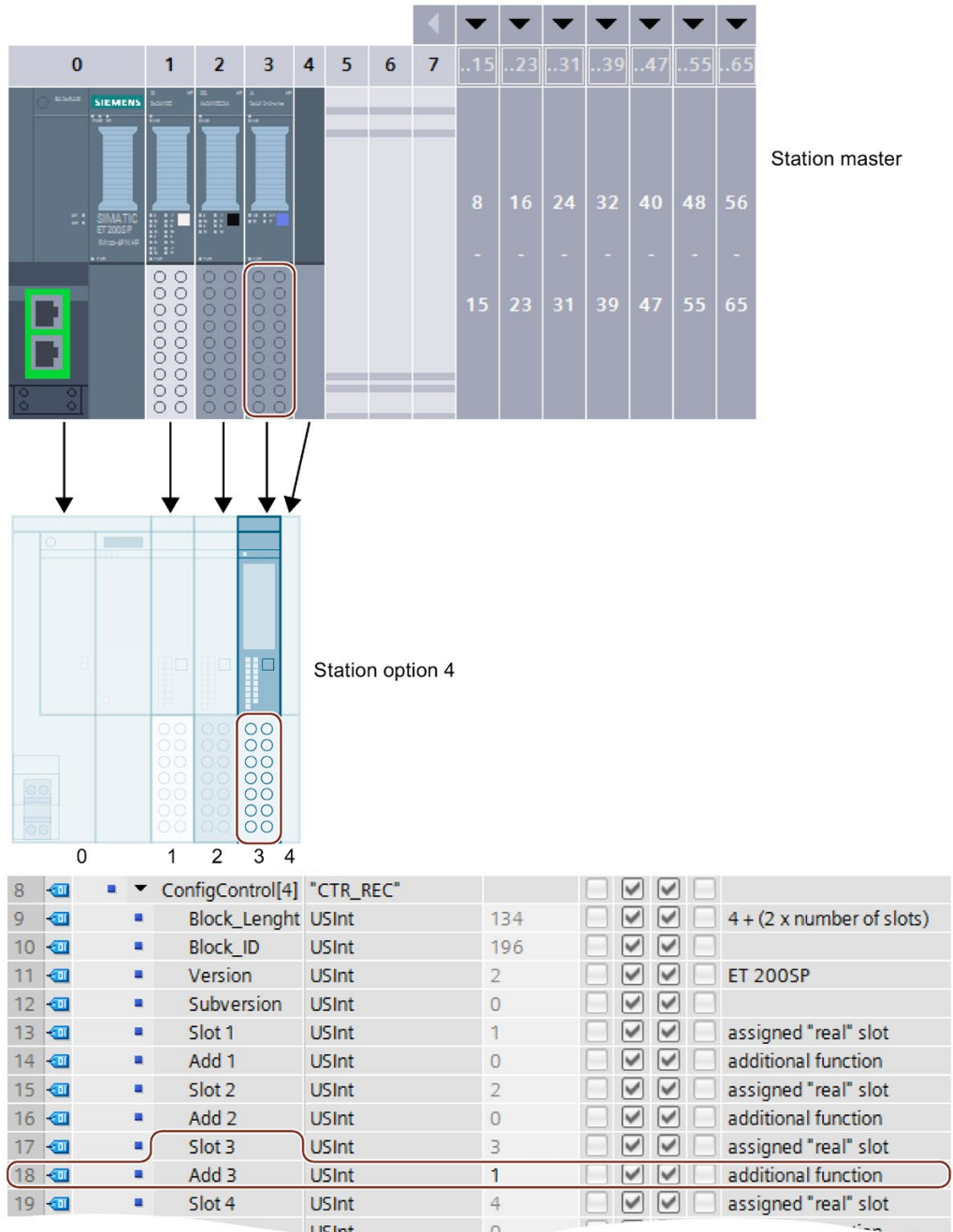


Figure 10-9 Example: Hardware configuration of station option 4 with the associated control data record in STEP 7

Commissioning

11.1 Overview

Introduction

This section includes information on the following topics:

- Commissioning the ET 200SP distributed I/O system on the PROFINET IO
- Commissioning the ET 200SP distributed I/O system on the PROFIBUS DP
- Startup of the ET 200SP distributed I/O system with empty slots
- Removing/inserting the SIMATIC memory card
- Operating modes of the CPU
- CPU memory reset
- Reassigning parameters during operation
- Identification and maintenance data

Commissioning requirements

Note

Performing tests

You must ensure the safety of your plant. You therefore need to run a complete functional test and make the necessary safety checks before the final commissioning of a plant.

Also allow for any possible foreseeable errors in the tests. This avoids endangering persons or equipment during operation.

PRONETA

With SIEMENS PRONETA (PROFINET network analysis), you analyze the system network during commissioning. PRONETA features two core functions:

- The topology overview independently scans PROFINET and all connected components.
- The IO check is a fast test of the wiring and the module configuration of a system.

You can find SIEMENS PRONETA on the Internet

(<http://support.automation.siemens.com/WW/view/en/67460624>).

SIMATIC Automation Tool

You can use the SIMATIC Automation Tool to perform commissioning and maintenance activities simultaneously on various SIMATIC S7 stations as a bulk operation independent of the TIA Portal.

General function overview:

- Network browsing and creation of a table showing the accessible devices in the network.
- Flashing of device LEDs or HMI display to locate a device
- Loading addresses (IP, subnet, gateway) into a device
- Loading the PROFINET name (station name) into a device name
- Placing a CPU in RUN or STOP mode
- Setting the time in a CPU to the current time of your programming device/PC
- Downloading a new program to a CPU or an HMI device
- Downloading from CPU, downloading to CPU or deleting recipe data from a CPU
- Downloading from CPU or deleting data log data from a CPU
- Backup/restore of data from/to a backup file for CPUs and HMI devices
- Downloading service data from a CPU
- Reading the diagnostics buffer of a CPU
- General reset of a CPU's memory
- Resetting devices to factory settings
- Downloading a firmware update to a device
- ...

You can find the SIMATIC Automation Tool on the Internet (<https://support.industry.siemens.com/cs/ww/de/view/98161300>).

11.2 Commissioning the ET 200SP for PROFINET IO

Requirements

- The CPU/interface module is in the "Factory settings" status or has been reset to factory settings (see section Interface module (<http://support.automation.siemens.com/WW/view/en/55683316/133300>)).
- For CPU: The SIMATIC memory card is as delivered or has been formatted.

11.2.1 ET 200SP CPU as an IO controller

Configuration example

To use the ET 200SP distributed I/O system as an IO controller, you require the CPU 151xSP-1 PN.

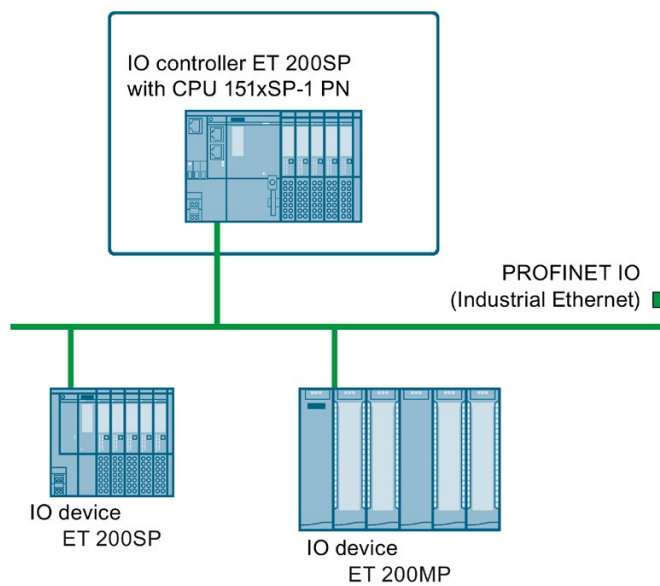


Figure 11-1 ET 200SP CPU as an IO controller

Commissioning procedure

To commission the ET 200SP distributed I/O system CPU as an IO controller for PROFINET IO, we recommend the following procedure:

Table 11- 1 Procedure for commissioning the ET 200SP CPU as an IO controller for PROFINET IO

Step	Procedure	See ...
1	Installing ET 200SP	Section Installation (Page 63)
2	Connecting ET 200SP <ul style="list-style-type: none"> • Supply voltages • PROFINET IO • Sensors and actuators 	Section Wiring (Page 86)
3	Inserting a SIMATIC memory card in the IO controller	Section Removing/inserting a SIMATIC memory card on the CPU (Page 205)
4	Configuring the IO controller ¹	Section Configuring (Page 131)
5	Checking the protective measures	-
6	Switching on supply voltages for the IO controller	CPU 15xxSP-1 PN (http://support.automation.siemens.com/WW/view/en/90466439/133300) manual
7	Switching on supply voltages for IO devices	Documentation of the IO device
8	Downloading the configuration to the IO controller	STEP 7 online help
9	Switching IO controller to RUN mode	CPU 15xxSP-1 PN (http://support.automation.siemens.com/WW/view/en/90466439/133300) manual
10	Checking LEDs	CPU 15xxSP-1 PN (http://support.automation.siemens.com/WW/view/en/90466439/133300) manual
11	Testing inputs and outputs	The following functions are helpful: Monitoring and modifying tags, testing with program status, forcing, controlling the outputs. See section Test and service functions (Page 258)

¹ The IO devices are configured with the IO controller.

11.2.2 ET 200SP CPU as an I-device

Configuration example

You need the CPU 151xSP-1 PN to use the ET 200SP distributed I/O system as an I-device.

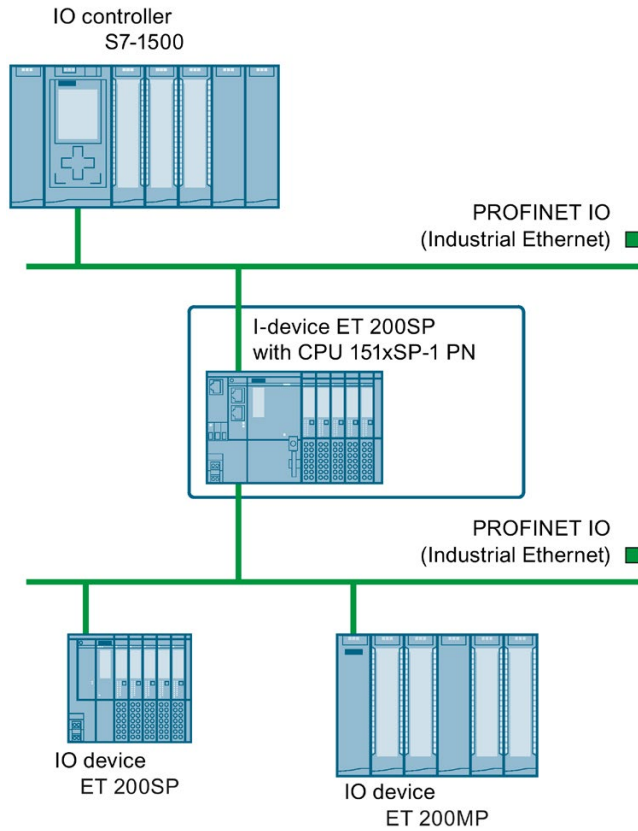


Figure 11-2 ET 200SP CPU as an I-device

Commissioning procedure

For commissioning of the ET 200SP distributed I/O system as an I-device on the PROFINET IO, we recommend the following procedure:

Table 11- 2 Procedure for commissioning the ET 200SP as an I-device on the PROFINET IO

Step	Procedure	See ...
1	Installing ET 200SP	Section Installation (Page 63)
2	Connecting ET 200SP <ul style="list-style-type: none"> • Supply voltages • PROFINET IO • Sensors and actuators 	Section Wiring (Page 86)
3	Inserting a SIMATIC memory card in the I-device	Section Removing/inserting a SIMATIC memory card on the CPU (Page 205)
4	Configuring the I-device	Section Configuring (Page 131)
5	Checking the protective measures	-
6	Switching on supply voltages for the IO controller	Documentation of the IO controller
7	Switching on supply voltages for I-device and IO devices	CPU 15xxSP-1 PN (http://support.automation.siemens.com/WW/view/en/90466439/133300) manual and documentation of the IO devices
8	Download configuration to the I-device	STEP 7 online help
9	Switching IO controller and I-device to RUN mode	Documentation of the IO controller and CPU 15xxSP-1 PN (http://support.automation.siemens.com/WW/view/en/90466439/133300) manual
10	Checking LEDs	CPU 15xxSP-1 PN (http://support.automation.siemens.com/WW/view/en/90466439/133300) manual
11	Testing inputs and outputs	The following functions are helpful: Monitoring and modifying tags, testing with program status, forcing, controlling the outputs. See section Test and service functions (Page 258)

11.2.3 ET 200SP as an IO device

Configuration example

To use the ET 200SP distributed I/O system as an IO device, you need the IM 155-6 PNxx interface module.

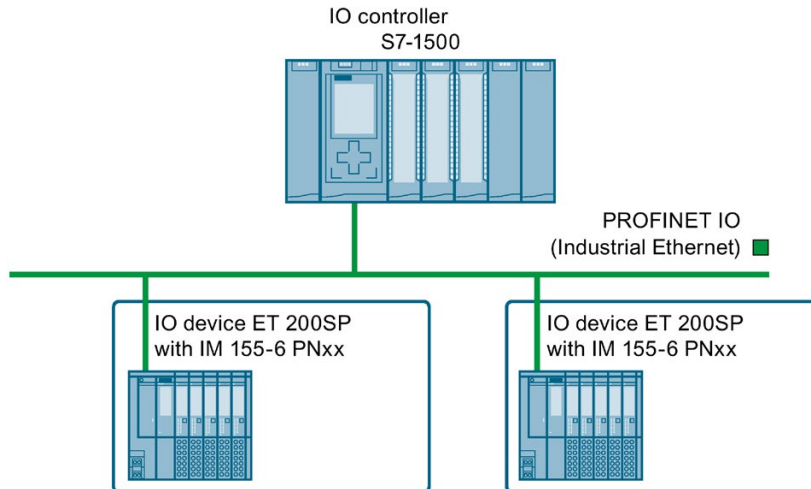


Figure 11-3 ET 200SP as an IO device

Commissioning procedure

For commissioning of the ET 200SP distributed I/O system as an IO device on the PROFINET IO, we recommend the following procedure:

Table 11- 3 Procedure for commissioning the ET 200SP as an IO device for PROFINET IO

Step	Procedure	See ...
1	Installing ET 200SP	Section Installation (Page 63)
2	Connecting ET 200SP <ul style="list-style-type: none"> • Supply voltages • PROFINET IO • Sensors and actuators 	Section Wiring (Page 86)
4	Configuring IO controller	Documentation of the IO controller
5	Checking the protective measures	-
6	Switching on supply voltages for the IO controller	Documentation of the IO controller
7	Switching on supply voltages for IO devices	Interface module (http://support.automation.siemens.com/WW/view/en/55683316/133300) Manual
8	Downloading the configuration to the IO controller	STEP 7 online help

Step	Procedure	See ...
9	Switching IO controller to RUN mode	Documentation of the IO controller
10	Checking LEDs	Interface module (http://support.automation.siemens.com/WW/view/en/55683316/133300) Manual
11	Testing inputs and outputs	The following functions are helpful: Monitoring and modifying tags, testing with program status, forcing, controlling the outputs. Refer to section Test and service functions (Page 258)

11.3 Commissioning the ET 200SP on PROFIBUS DP

Requirements

- The CPU/interface module is in the "Factory settings" status or has been reset to factory settings (see section Interface module (<http://support.automation.siemens.com/WW/view/en/55683316/133300>)).
- For CPU: The SIMATIC memory card is as delivered or has been formatted.

11.3.1 ET 200SP as a DP master

Configuration example

To use the ET 200SP distributed I/O system as a DP master, you need the CPU 151xSP-1 PN and the CM DP communication module.

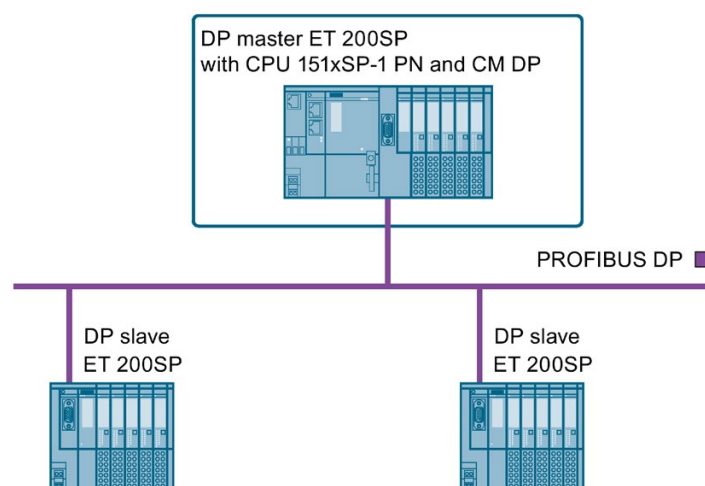


Figure 11-4 ET 200SP as a DP master

Commissioning procedure

To commission the ET 200SP distributed I/O system as a DP master on PROFIBUS DP, we recommend the following procedure:

Table 11- 4 Procedure for commissioning the ET 200SP as a DP master on the PROFIBUS DP

Step	Procedure	See ...
1	Installing ET 200SP (with CPU and CM DP)	Section Installation (Page 63)
2	Connecting ET 200SP <ul style="list-style-type: none"> • Supply voltages • PROFIBUS DP • Sensors and actuators 	Section Wiring (Page 86)
3	Inserting a SIMATIC memory card in the DP master (CPU)	Section Removing/inserting a SIMATIC memory card on the CPU (Page 205)
4	Configuring DP master (including PROFIBUS address)	CPU 15xxSP-1 PN (http://support.automation.siemens.com/WW/view/en/90466439/133300) and CM DP manual
5	Switching on supply voltages for DP master	CPU 15xxSP-1 PN (http://support.automation.siemens.com/WW/view/en/90466439/133300) manual
6	Switching on supply voltages for DP slaves	Documentation of the DP slave
7	Download configuration to the DP master	STEP 7 online help
8	Switching DP master to RUN	CPU 15xxSP-1 PN (http://support.automation.siemens.com/WW/view/en/90466439/133300) manual
9	Checking LEDs	CPU 15xxSP-1 PN (http://support.automation.siemens.com/WW/view/en/90466439/133300) manual
10	Testing inputs and outputs	The following functions are helpful: Monitoring and modifying tags, testing with program status, forcing, controlling the outputs. See section Test and service functions (Page 258)

11.3.2 ET 200SP as I-slave

Configuration example

To use the ET 200SP distributed I/O system as I-slave, you need the CPU 151xSP-1 PN and the CM DP communication module.

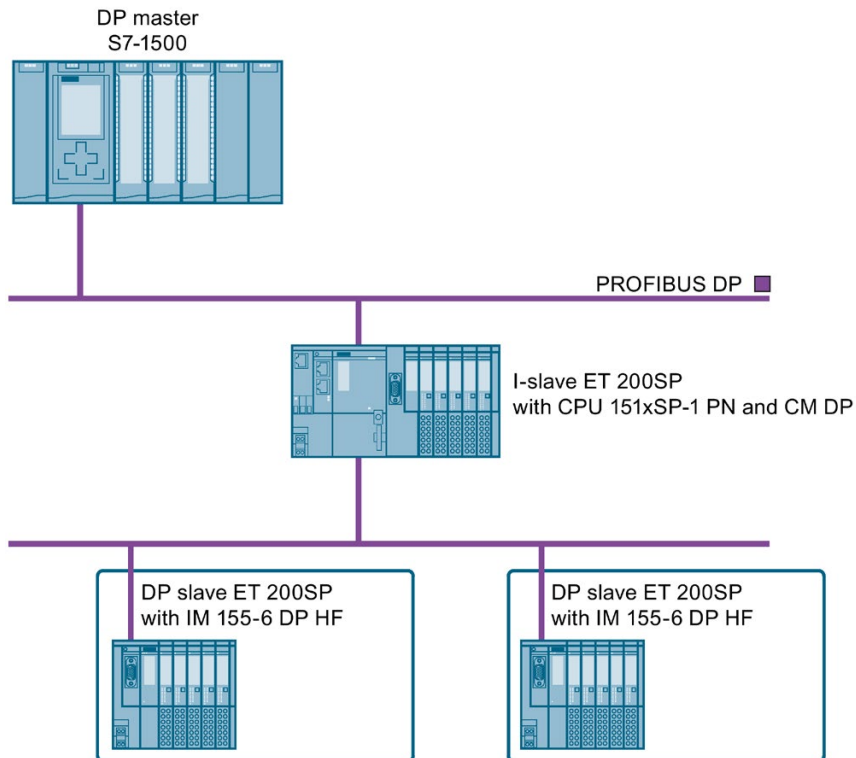


Figure 11-5 ET 200SP as I-slave

Commissioning procedure

For commissioning of the ET 200SP distributed I/O system as an I-slave on the PROFIBUS DP, we recommend the following procedure:

Table 11- 5 Procedure for commissioning the ET 200SP as an I-slave for PROFIBUS DP

Step	Procedure	See ...
1	Installing ET 200SP (with CPU and CM DP)	Section Installation (Page 63)
2	Connecting ET 200SP <ul style="list-style-type: none"> • Supply voltages • PROFIBUS DP • Sensors and actuators 	Section Wiring (Page 86)
3	Configuring DP master (including PROFIBUS address)	Documentation of the DP master
4	Inserting a SIMATIC memory card in the I-slave (CPU)	Section Removing/inserting a SIMATIC memory card on the CPU (Page 205)
5	Configuring I-slave (including PROFIBUS address)	CPU 15xxSP-1 PN (http://support.automation.siemens.com/WW/view/en/90466439/133300) and CM DP manual
6	Switching on supply voltages for DP master	Documentation of the DP master
7	Switching on supply voltages for I-slaves	CPU 15xxSP-1 PN (http://support.automation.siemens.com/WW/view/en/90466439/133300) manual
8	Loading configuration in the DP master and I-slaves	STEP 7 online help
9	Switching DP master and I-slaves to RUN	Documentation of the DP master and CPU 15xxSP-1 PN (http://support.automation.siemens.com/WW/view/en/90466439/133300) manual
10	Checking LEDs	CPU 15xxSP-1 PN (http://support.automation.siemens.com/WW/view/en/90466439/133300) manual
11	Testing inputs and outputs	The following functions are helpful: Monitoring and modifying tags, testing with program status, forcing, controlling the outputs. See the Test functions and fault resolution (http://support.automation.siemens.com/WW/view/en/90466439/133300) section

11.3.3 ET 200SP as a DP slave

Configuration example

To use the ET 200SP distributed I/O system as a DP slave, you need the IM 155-6 DP HF.

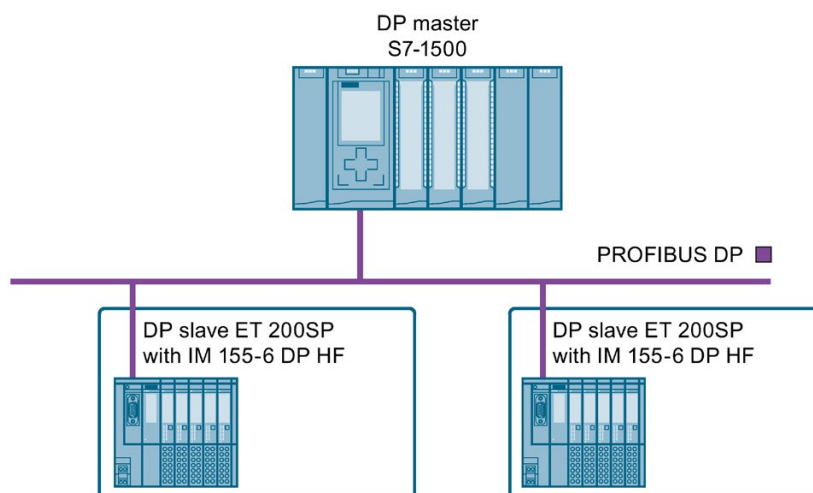


Figure 11-6 ET 200SP as a DP slave

Commissioning procedure

To commission the ET 200SP distributed I/O system as a DP slave on PROFIBUS DP, we recommend the following procedure:

Table 11- 6 Procedure for commissioning the ET 200SP as a DP master for PROFIBUS DP

Step	Procedure	See ...
1	Installing ET 200SP (with IM 155-6 DP HF)	Section Installation (Page 63)
2	Setting the PROFIBUS address on the interface module	Section Interface module (http://support.automation.siemens.com/WW/view/en/55683316/133300)
3	Connecting ET 200SP <ul style="list-style-type: none"> • Supply voltages • PROFIBUS DP • Sensors and actuators 	Section Wiring (Page 86)
4	Configuring DP master (including PROFIBUS address)	Documentation of the DP master
5	Switching on supply voltages for DP master	Documentation of the DP master
6	Switching on supply voltages for DP slaves	Interface module (http://support.automation.siemens.com/WW/view/en/55683316/133300) Manual
7	Download configuration to the DP master	STEP 7 online help
8	Switching DP master to RUN	Documentation of the DP master

Step	Procedure	See ...
9	Checking LEDs	Interface module (http://support.automation.siemens.com/WW/view/en/55683316/133300) Manual
10	Testing inputs and outputs	The following functions are helpful: Monitoring and modifying tags, testing with program status, forcing, controlling the outputs. Refer to section Test and service functions (Page 258)

11.4 Startup of the ET 200SP with empty slots

Procedure

You can configure the ET 200SP distributed I/O system with any number of empty slots.

To build the ET 200SP distributed I/O system with any number of empty slots, follow these steps:

1. Cover all empty slots with BU covers.
2. Finish the configuration with a server module.

Special consideration: A "Module missing in slot x" diagnostic message is generated by the CPU/interface module for empty slots in which I/O modules are configured.

11.5 Removing/inserting a SIMATIC memory card on the CPU

Requirement

The CPU only supports pre-formatted SIMATIC memory cards. If necessary, delete all previously stored data before using the SIMATIC memory card. You can find more information on deleting the content of the SIMATIC memory card in the function manual Structure and use of the CPU memory.

In order to work with the SIMATIC memory card, first ensure that the SIMATIC memory card is not write-protected. If it is, move the slider out of the lock position.

Inserting the SIMATIC memory card

To insert a SIMATIC memory card, follow these steps:

1. Ensure that the CPU is either switched off or in STOP mode.
2. Insert the SIMATIC memory card, as depicted on the CPU, into the slot for the SIMATIC memory card.

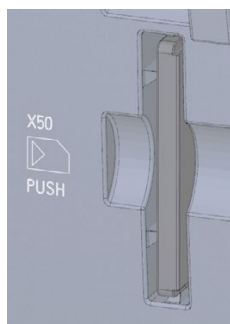


Figure 11-7 Slot for the SIMATIC memory card

3. Insert the SIMATIC memory card with light pressure into the CPU, until the SIMATIC memory card latches.

Removal of the SIMATIC memory card

To remove a SIMATIC memory card, follow these steps:

1. Switch the CPU to STOP mode.
2. Press the SIMATIC memory card into the CPU with light pressure. After audible unlatching of the SIMATIC memory card, remove it.

Only remove the SIMATIC memory card in POWER OFF or STOP mode of the CPU. Ensure that no writing functions (online functions with the programming device, e.g. loading/deleting a block, test functions) are active in STOP mode or were active before POWER OFF.

Reactions after removing/inserting the SIMATIC memory card

Inserting and removing the SIMATIC memory card in STOP, STARTUP or RUN mode triggers a re-evaluation of the SIMATIC memory card. The CPU hereby compares the content of the configuration on the SIMATIC memory card with the backed-up retentive data. If the backed-up retentive data matches the data of the configuration on the SIMATIC memory card, the retentive data is retained. If the data differs, the CPU automatically performs a memory reset (which means the retentive data is deleted) and then goes to STOP.

The CPU evaluates the SIMATIC memory card, and this is indicated by the RUN/STOP LED flashing.

Reference

You can find more information on the SIMATIC memory card in the function manual Structure and use of the CPU memory (<https://support.industry.siemens.com/cs/ww/en/view/59193101>).

11.6 Operating modes of the CPU

Introduction

Operating modes describe the status of the CPU. The following operating modes are possible using the mode selector:

- STARTUP
- RUN
- STOP

In these operating modes, the CPU can communicate, for example, via the PROFINET interface.

The status LEDs on the front of the CPU indicate the current operating mode.

11.6.1 STARTUP mode

Behavior

Before the CPU starts to execute the cyclic user program, a startup program is executed.

By suitably programming startup OBs, you can specify initialization tags for your cyclic program in the startup program. You have the option of programming no, one or several startup OBs.

Special features during startup

Note the following points regarding the STARTUP mode:

- All outputs are disabled or react according to the parameter settings for the particular I/O module: They provide a substitute value as set in the parameters or retain the last value output and bring the controlled process to a safe operational status.
- The process image is initialized.
- The process image is not updated.

In order to read the current state of inputs during STARTUP, you can access inputs via direct I/O access.

To initialize outputs during STARTUP, values can be written via the process image or via direct I/O access. The values are output to the outputs during the transition to RUN mode.

- The CPU always starts up in warm restart mode.
 - The non-retentive bit memory, timers and counters are initialized.
 - The non-retentive tags in data blocks are initialized.
- During startup, cycle time monitoring is not yet running
- The CPU processes the startup OBs in the order of the startup OB numbers. The CPU processes all programmed startup OBs regardless of the selected startup mode. (Figure "Setting the startup behavior").
- If a corresponding event occurs, the CPU can start the following OBs during startup:
 - OB 82: Diagnostics interrupt
 - OB 83: Pull/plug interrupt for modules
 - OB 86: Rack error
 - OB 121: Programming error (only for global error handling)
 - OB 122: I/O access error (only for global error handling)

You can find a description of how to use global and local error handling in the STEP 7 online help.

The CPU does not start all other OBs until the transition to RUN mode.

Response when expected and actual configurations do not match

The configuration downloaded to the CPU represents the expected configuration. The actual configuration is the actual configuration of the ET 200SP distributed I/O system. If the expected configuration and actual configuration do not match, the setting of the "Comparison preset to actual configuration" parameter determines the behavior of the CPU. You can find additional information on hardware compatibility in the section Operating mode transitions (Page 210).

Cancellation of startup

If errors occur during startup, the CPU cancels startup and returns to STOP mode.

The CPU does not perform the startup or interrupts the startup under the following conditions:

- You have not inserted a SIMATIC memory card or have inserted an invalid one.
- You have not downloaded a hardware configuration to the CPU.

Configuring the startup behavior

You configure the behavior of the CPU in the Startup group in the CPU properties.

Setting the startup behavior

To set the startup behavior, follow these steps:

1. Select the CPU in the device view of the STEP 7 hardware network editor.
2. In the properties under "General" select the "Startup" area.

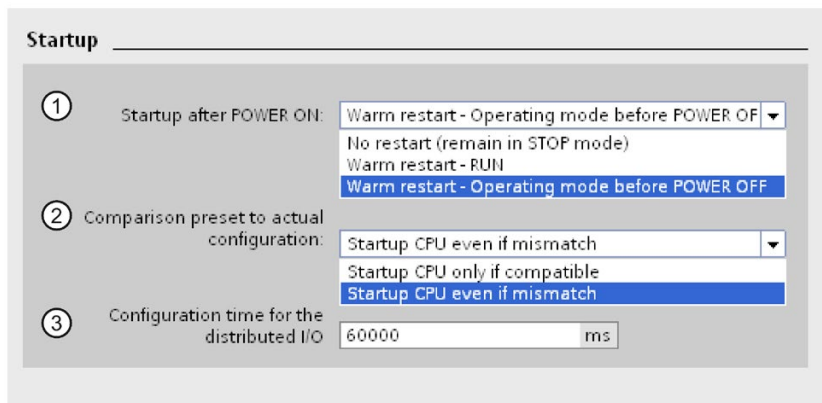


Figure 11-8 Setting the startup behavior

- ① Sets the startup type after POWER ON
- ② Defines the startup behavior when a module in a slot does not correspond to the configured module. You can set this parameter centrally, on the CPU or for each module. When you change the setting for a module, the setting made centrally for this module no longer applies.
 - Startup CPU only if compatible: In this setting a module on a configured slot has to be compatible with the configured module. Compatible means that the module matches in terms of the number of inputs and outputs and with respect to its electrical and functional properties.
 - Startup CPU even if mismatch: With this setting the CPU starts up regardless of the type of module plugged in.
- ③ Specifies a maximum period (default: 60000 ms) in which the I/O must be ready for operation. The CPU changes to RUN.

If the central and distributed I/O is not ready for operation within the configuration time, the startup characteristics of the CPU depends on the setting of the "Comparison preset to actual configuration" parameter.

Example for the "Comparison preset to actual configuration" parameter

"Startup CPU only if compatible":

The DI 16x24VDC ST input module with 16 digital inputs is a compatible replacement for a DI 8x24VDC ST input module with 8 digital inputs. The pin assignment and all electrical and functional properties are identical.

"Startup CPU even if mismatch":

Instead of a configured digital input module, you insert an analog output module or no module is present in this slot and thus in all subsequent slots. Although the configured inputs cannot be accessed, the CPU starts up.

Note that the user program cannot function correctly in this case and take the appropriate measures.

11.6.2 STOP mode

Behavior

The CPU does not execute the user program in STOP mode.

All outputs are disabled or react according to the parameter settings for the particular I/O module: They provide a substitute value as set in the parameters or retain the last value output keeping the controlled process in a safe operating status.

In STOP mode, the motor starter responds according to how it was parameterized for the CPU STOP state. The CPU STOP state can be circumvented with the manual local control (Local Control) function. If the CPU is switched off, a motor can be switched on in the motor starter's commissioning mode.

You will find additional information in the Motor starter (<https://support.industry.siemens.com/cs/ww/en/view/109479973>) manual.

11.6.3 RUN mode

Behavior

In "RUN" mode the cyclic, time-driven, and interrupt-driven program is executed. Addresses that are in the "Automatic Update" process image are automatically updated in each program cycle. See also the section Process images and process image partitions (Page 139).

Execution of the user program

Once the CPU has read the inputs, the cyclic program is executed from the first instruction to the last instruction.

If you have configured a minimum cycle time, the CPU will not end the cycle until this minimum cycle time is finished even if the user program is completed sooner.

A cycle monitoring time is set to ensure that the cyclic program is completed within a specified time. You can change the cycle monitoring time to suit your requirements. If the cyclic program has not finished running within this time, the system responds with a time error.

Further events such as hardware interrupts and diagnostics interrupts can interrupt the cyclic program flow and prolong the cycle time.

Reference

Further information about cycle and response times is available in the Function Manual Cycle and response times (<http://support.automation.siemens.com/WW/view/en/59193558>).

11.6.4 Operating mode transitions

Operating modes and operating mode transitions

The following figure shows the operating modes and the operating mode transitions:

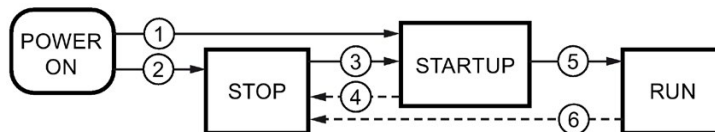


Figure 11-9 Operating modes and operating mode transitions

The table below shows the effects of the operating mode transitions:

Table 11- 7 Operating mode transitions

No.	Operating mode transitions	Effects
①	POWER ON → STARTUP After switching on, the CPU switches to "STARTUP" mode if: <ul style="list-style-type: none"> • The hardware configuration and program blocks are consistent. • Startup type "Warm restart - RUN" is set. Or <ul style="list-style-type: none"> • Startup type "Warm restart - mode before POWER OFF" is set and the CPU was in RUN mode before POWER OFF. 	The CPU clears the non-retentive memory, and re-sets the content of non-retentive DBs to the start values of the load memory. Retentive memory and retentive DB contents are retained. The 500 newest entries in the diagnostics buffer are retained.
②	POWER ON → STOP After switching on, the CPU goes to "STOP" mode if: <ul style="list-style-type: none"> • The hardware configuration and program blocks are inconsistent. Or <ul style="list-style-type: none"> • The "No restart" startup type is set. Or <ul style="list-style-type: none"> • Startup type "Warm restart - mode before POWER OFF" is set and the CPU was in STOP mode before POWER OFF. 	The CPU clears the non-retentive memory, and re-sets the content of non-retentive DBs to the start values of the load memory. Retentive memory and retentive DB contents are retained. The 500 newest entries in the diagnostics buffer are retained.

11.6 Operating modes of the CPU

No.	Operating mode transitions		Effects
③	STOP → STARTUP	<p>The CPU switches to "STARTUP" mode if:</p> <ul style="list-style-type: none"> • The hardware configuration and program blocks are consistent. • You set the CPU to "RUN" mode via the programming device and the mode switch in is RUN position. <p>Or</p> <ul style="list-style-type: none"> • You set the mode switch from STOP to RUN. 	<p>The CPU clears the non-retentive memory, and resets the content of non-retentive DBs to the start values of the load memory. Retentive memory and retentive DB contents are retained.</p> <p>The 500 newest entries in the diagnostics buffer are retained.</p>
④	STARTUP → STOP	<p>In the following cases, the CPU goes from "STARTUP" to "STOP" mode when:</p> <ul style="list-style-type: none"> • The CPU detects an error during startup. • You set the CPU to "STOP" via the programming device or mode switch. • The CPU executes a STOP command in the Startup OB. 	<p>These operating mode transitions have no effect on data.</p>
⑤	STARTUP → RUN	<p>In the following cases, the CPU goes from "STARTUP" to "RUN" mode when:</p> <ul style="list-style-type: none"> • The CPU has initialized the PLC tags. • The CPU has executed the startup blocks successfully. 	
⑥	RUN → STOP	<p>In the following cases, the CPU goes from "RUN" back to "STOP" mode when:</p> <ul style="list-style-type: none"> • The CPU detects an error which prevents further work. • The CPU executes a STOP command in the user program. • You set the CPU to "STOP" via the programming device or mode switch. 	

11.7 CPU memory reset

Basics of a memory reset

The CPU must be in STOP mode for a memory reset.

A memory reset returns the CPU to its "initial state".

Memory reset means:

- An existing online connection between your programming device/PC and the CPU is terminated.
- The content of the work memory and the retentive and non-retentive data (applies only to manual memory reset by the user) are deleted.
- The diagnostics buffer, time of day, IP address and the device name are retained.
- Subsequently the CPU is initialized with the loaded project data (hardware configuration, code and data blocks, force jobs). The CPU copies this data from the load memory to the work memory.

Result:

- If you set an IP address in the hardware configuration ("Set IP address in the project" option) and a SIMATIC memory card with the project is in the CPU, this IP address is valid after the memory reset.
- Data blocks no longer have current values but rather their configured start values.
- Force jobs remain active.

Detecting a CPU memory reset

The RUN/STOP LED flashes yellow at 2 Hz. After completion, the CPU switches to STOP. The RUN/STOP LED is on (constant yellow light).

Result after memory reset

The following table provides an overview of the contents of the memory objects after memory reset.

Table 11- 8 Memory objects after memory reset

Memory object	Content
Actual values of the data blocks, instance data blocks	Initialized
Bit memory, timers and counters	Initialized
Retentive tags from technology objects (for example, adjustment values of absolute encoders)*	Retained
Diagnostics buffer entries	Retained
IP address	Retained
Device name	Retained
Counter readings of the runtime meters	Retained
Time of day	Retained

* The retentive tags from technology objects are retained but the content of certain tags is re-initialized in some cases.

11.7.1 Automatic memory reset

Possible causes of automatic memory reset

The CPU executes an automatic memory reset if an error occurs that prevents normal further processing.

Causes of such errors are:

- User program is too large, and cannot be completely loaded into work memory.
- The project data on the SIMATIC memory card is corrupt, for example, because a file was deleted.
- If you remove or insert the SIMATIC memory card and the backed-up retentive data differs in structure from that of the configuration on the SIMATIC memory card.

11.7.2 Manual memory reset

Reason for a manual memory reset

CPU memory reset is required to reset the CPU to its "original state".

CPU memory reset

Two options are available for performing a CPU memory reset:

- Using the mode selector
- Using STEP 7

Procedure using the mode selector

Note

Memory reset ↔ Reset to factory settings

The procedure described below also corresponds to the procedure for resetting to factory settings:

- Selector operation with inserted SIMATIC memory card: CPU executes a memory reset
 - Selector operation without inserted SIMATIC memory card: CPU executes reset to factory settings
-

To reset the CPU memory using the mode selector, proceed as follows:

1. Set the mode selector to the STOP position.

Result: The RUN/STOP LED lights up yellow.

2. Set the mode selector to the MRES position. Hold the selector in this position until the RUN/STOP LED lights up for the 2nd time and remains continuously lit (this takes three seconds). After this, release the switch.

3. Within the next three seconds, switch the mode selector back to the MRES position, and then back to STOP again.

Result: The CPU executes memory reset.

For information on resetting the CPU to factory settings, refer to the section Resetting the CPU to factory settings (Page 249).

Procedure using STEP 7

For a memory reset of the CPU using STEP 7 proceed as follows:

1. Open the "Online Tools" task card of the CPU.
2. Click the "MRES" button in the "CPU control panel" pane.
3. Click "OK" in response to the confirmation prompt.

Result: The CPU switches to STOP mode and performs a memory reset.

11.8 Reassigning parameters during operation

Introduction

You have the option of reassigning the parameters for the ET 200SP I/O modules during operation.

Changing parameters during operation

You make the parameter settings of the I/O modules using data records. Each I/O module has a separate data record. The instruction "WRREC" applies the changed parameters to the I/O module. The parameters that you have set with STEP 7 are not changed. After a POWER OFF/POWER ON of the ET 200SP, the parameters set with STEP 7 are valid again.

If you are using the CPU as an I-device, you reassign the parameters of the I/O modules via the I-device.

Note

If you write data records from the user program to the modules of the distributed I/O, make sure that these modules actually exist and are available. You can evaluate OB83 for this purpose. After inserting a module, the CPU does not call OB83 until the module has started up and its parameters are assigned. This ensures the execution of the data record operations without errors.

Note

You need to transfer the new parameters with the "WRREC" instruction after a POWER OFF/POWER ON of the ET 200SP.

Instruction for parameter assignment

The following instruction is provided for assigning parameters to the I/O module in the user program:

Instruction	Application
"WRREC"	Transfer the modifiable parameters to the addressed ET 200SP module.

Error message

In the event of an error, the following return values are reported:

Table 11-9 Error message

Error code	Meaning
80E0 _H	Error in header information
80E1 _H	Parameter error

Reference

You will find the setup of the parameter data record in the manuals of the I/O modules (<http://support.automation.siemens.com/WW/view/es/55679691/133300>).

11.9 Backing up and restoring the CPU configuration

11.9.1 Overview

Backup from online device

You make changes where necessary in the system operation. You add new devices, replace existing devices or adapt the user program. If these changes result in undesirable behavior, you can restore the plant to an earlier state. Before you load a changed configuration to the CPU, first use the option "Backup from online device" to create a complete backup of the current device status.

Upload from device (software)

With the option "Upload from device (software)", you load the software project data from the CPU to an existing CPU in the project.

Upload device as new station

If you are operating a new PG/PC on a system, the STEP 7 project that was used to create the system configuration might not be available. In this case, you upload the data to a project in your PG/PC with the "Upload device as new station" option.

Snapshot of the monitor values

To allow you to restore the actual values after changes, back up the actual values of the data blocks with the "Snapshot of the monitor values" option.

Overview of backup types

The table below shows the backup of CPU data depending on the selected type of backup and its specific characteristics:

	Backup from online device	Upload from device (software)	Upload device as new station	Snapshot of the monitor values
Current values of all DBs (global and instance data blocks) ¹⁾	✓	✓	✓	✓
Blocks of the type OB, FC, FB and DB	✓	✓	✓	--
PLC tags (tag names and constant names)	✓	✓	✓	--
Technology objects	✓	✓	✓	✓ ³⁾
Hardware configuration	✓	--	✓	--
Actual values (bit memories, timers, counters)*	✓	--	--	--
Contents of the SIMATIC memory card	✓	--	--	--
Archives, recipes	✓	--	--	--
Entries in the diagnostics buffer	--	--	--	--

	Backup from online device	Upload from device (software)	Upload device as new station	Snapshot of the monitor values
Current time	--	--	--	--
Properties of the type of backup				
Backup possible for fail-safe CPUs	✓	✓ ²⁾	--	✓
Backup can be edited	--	✓	✓	✓
Backup possible in operating mode	STOP	RUN, STOP	RUN, STOP	RUN, STOP

1) Only the values of the tags that are set as retentive are saved.

2) Only possible in the STOP operating state and for individual fail-safe blocks.

3) Nur die High_Speed_Counter and SSI_Absolute_Encoder modules

Reference

You can find more information on the different backup types in the STEP 7 online help.

Emergency address (emergency IP)

The emergency address (emergency IP address) of a CPU was conceived for diagnostic and downloading functions, e.g. if the CPU can no longer be reached via the IP protocol due to loading of an incorrect project. You can find information on the emergency address in the Communication (<https://support.industry.siemens.com/cs/ww/de/view/59192925/en>) function manual.

Archiving multilingual project texts

When you configure a CPU, different categories of texts come into being, e.g.

- Object names (names of blocks, modules, tags, etc.)
- Comments (for blocks, networks, watch tables, etc.)
- Messages and diagnostic texts

Texts are provided by the system (e.g. diagnostic buffer texts) or are created during configuration (e.g. messages).

In a project, texts exist in one single language or in several languages after a translation process. You can maintain project texts in all languages, which are at your disposal in the project navigator (Languages & Resources > Project Texts). The texts arising during configuration can be loaded into the CPU.

The following texts containing the project data are loaded into the CPU in the chosen languages and are also used by the Web server:

- Diagnostic buffer texts (not editable)
- Module status texts (not editable)
- Message texts with associated text lists
- Tag comments and step comments for S7 GRAPH and PLC Code Viewer
- Comments in watch tables

The following texts containing the project languages are also loaded into the CPU in the chosen languages, but are not used by the Web server:

- Comments in tag tables (for tags and constants)
- Comments in global data blocks
- Comments of elements in block interfaces of FBs, FCs, DBs and UDTs
- Network titles in data blocks that are written in ladder logic (LAD), function block diagram (FBD) or statement list (STL)
- Block comments
- Network comments
- Comments of LAD and FBD elements

The CPUs support archiving of multilingual project texts in up to three different project languages. If the project texts for a particular project language nevertheless exceed the memory space reserved for them, the project cannot be downloaded to the CPU. The download is canceled with a notice that insufficient memory space is available. In such a case, take measures to reduce the required storage space, for example by shortening comments.

Note**Size of the SIMATIC memory card**

If, when loading projects, the required memory space is more extensive/larger than the memory space on the

SIMATIC memory card used, the download to the CPU is canceled. You receive an error message.

Therefore, make sure that there is enough available storage space on your SIMATIC memory card for loading projects.

You will find information on reading out the storage space capacity utilization of the CPU and the SIMATIC memory card in the Structure and use of the CPU memory (<https://support.industry.siemens.com/cs/de/de/view/59193101/en>) function manual.

You will find information on parameterization of multilingual project texts in STEP 7 in the STEP 7 online help.

11.10 Time synchronization

Introduction

All CPUs are equipped with an internal clock. The clock shows:

- The time of day with a resolution of 1 millisecond
- The date and the day of the week

The CPU takes into account the time change caused by daylight saving time.

You can synchronize the time of the CPUs with an NTP server in NTP mode (NTP: Network Time Protocol).

Operating principle

In NTP mode, the device sends time queries at regular intervals (in client mode) to the NTP server in the subnet (LAN). Based on the replies of the servers, the most reliable and most accurate time is calculated and the time of day of the CPU is synchronized. The advantage of this mode is that it allows the time to be synchronized across subnets. You can synchronize the time of day of up to a maximum of four NTP servers. You address a communications processor or an HMI device, for example, as sources for time synchronization via the IP addresses.

The update interval defines the interval between the time queries (in seconds). The value range of the interval is between 10 seconds and one day. In NTP mode, it is generally UTC (Universal Time Coordinated) that is transferred. UTC corresponds to GMT (Greenwich Mean Time).

NTP server for the ET 200SP CPU

You can assign an ET 200SP CPU to up to 4 NTP servers.

In STEP 7 you enable the time synchronization in NTP mode. You can configure up to four NTP servers for the ET 200SP CPU in STEP 7.

If you have enabled time synchronization via NTP for the CPU, then you can enter the IP addresses of up to four NTP servers in the user program. For this, use the "T_CONFIG" instruction.

Enabling time synchronization via NTP server

To enable the time synchronization for the ET 200SP CPU via NTP servers, follow these steps:

1. In the Inspector window, navigate in the properties of the CPU to "General" > "PROFINET interface" > Time synchronization".
2. Enable the option "Enable time synchronization via NTP server".

Configuring NTP server in STEP 7

To configure one or more NTP servers for the ET 200SP CPU, follow these steps:

1. In the Inspector window, navigate in the properties of the CPU to "General" > "PROFINET interface" > "Time synchronization".
2. Enter the IP addresses of up to four NTP servers at the parameters "Server 1" to "Server 4".
3. Set the interval of the time queries at the "Update interval" parameter. Set the update interval to between 10 s and 86400 s.

Changing the IP addresses of the NTP servers with the "T_CONFIG" instruction

For the CPU, you can change the addresses of up to four NTP servers during runtime with the T_CONFIG instruction.

Requirements: You have configured at least one NTP server in STEP 7. Even if you have configured only one NTP server, you can enter up to four NTP servers in the T_CONFIG instruction.

Proceed as follows to change the IP addresses of the NTP servers with the T_CONFIG instruction:

1. Enter the IP addresses for the NTP servers in a tag of data type IF_CONF_NTP.
2. Interconnect the tag of data type IF_CONF_NTP at the block parameter CONF_DATA of the T_CONFIG instruction.
3. Call the T_CONFIG instruction in the user program.

Result: The addresses of the NTP servers from the T_CONFIG instruction are transferred to the CPU. The NTP server addresses configured in STEP 7 are overwritten.

If necessary, you can change the addresses of the NTP servers several times with T_CONFIG.

Reference

For additional information on time synchronization in the automation environment, refer to the following FAQ on the Internet

(<https://support.industry.siemens.com/cs/de/en/view/86535497>).

11.10.1 Example: Configuring and changing NTP server

Configuring time synchronization with your own NTP server

Automation task

You use your own server in your network. Your own server provides you with the following advantages:

- Protection against unauthorized accesses from outside
- Every device that you synchronize with your own NTP server uses the same time.

You want to synchronize the ET 200SP CPU with this NTP server.

Conditions and parameters

You have your own NTP server in your network with the IP address 192.168.1.15.

They are located in STEP 7 in the Inspector window in the properties of the PROFINET interface X1.

Solution

1. Navigate to "Properties > General > PROFINET interface > Time synchronization > NTP mode".
2. For "Server 1" enter the IP address of the NTP server: 192.168.1.15.

Time synchronization

NTP mode

Note: Time synchronization for all PROFINET interfaces take place within the settings for time synchronization of the PROFINET interface [X1].

Enable time synchronization via NTP server

IP addresses

Server 1: 192 . 168 . 1 . 15

Server 2: 0 . 0 . 0 . 0

Server 3: 0 . 0 . 0 . 0

Server 4: 0 . 0 . 0 . 0

Update interval: 10 s

Figure 11-10 Example: Configuring the NTP server

3. Download the hardware configuration to the CPU.

Result

The ET 200SP CPU synchronizes the time with the NTP server 192.168.1.15.

Changing the IP address of an NTP server in the user program

Automation task

You change the NTP server in your network. The new NTP server has the address "192.168.1.10".

You want to change the IP address of the NTP server with which your ET 200SP CPU synchronizes via the user program.

The example shows how you change the IP address of the NTP server to "192.168.1.10" via the user program with the instruction "T_CONFIG".

Conditions and parameters

Requirements:

- You have enabled the option "Enable time synchronization via NTP server" for your CPU in STEP 7.
- You have configured the following NTP servers in STEP 7: Server 1 "192.168.1.15"

To change the IP address for NTP servers, use the following block parameter of the "T_CONFIG" instruction:

- Req: A positive edge at the block parameter "Req" starts a job of the "T_CONFIG" instruction.
- Interface: Enter the hardware identifier of the PROFINET interface 1 of the CPU at the "Interface" block parameter. In this example, the HW ID is "64".
- Conf_Data: Area in which you save the IP addresses of the NTP server. Use the data type "IF_CONF_NTP" for this purpose.

Solution

To change the IP address of the NTP server in the user program to "192.168.1.10", follow these steps:

1. Create a global data block in the project tree under "Program blocks > Add new block". Name the global data block "NTP".
2. Create a tag of the data type "IF_CONF_NTP" in the global data block "NTP".

NTP				
	Name	Data type	Start value	Comment
1	Static			
2	NTP_Server	IF_CONF_NTP		
3	Id	UInt	17	
4	Length	UInt	22	
5	Mode	UInt	0	
6	NTP_IP	Array[1..4] of IP_V4		
7	NTP_IP[1]	IP_V4		
8	ADDR	Array[1..4] of Byte		IPv4 address
9	ADDR[1]	Byte	192	IPv4 address
10	ADDR[2]	Byte	168	IPv4 address
11	ADDR[3]	Byte	1	IPv4 address
12	ADDR[4]	Byte	10	IPv4 address
13	NTP_IP[2]	IP_V4		
14	NTP_IP[3]	IP_V4		
15	NTP_IP[4]	IP_V4		
16	change_NTP_Server	Bool	false	
17	done	Bool	false	
18	busy	Bool	false	
19	error	Bool	false	
20	status	DWord	16#0	
21	err_loc	DWord	16#0	

Figure 11-11 Example: Data block with IF_CONF_NTP

3. Create a "T_CONFIG" instruction in the user program.
4. Connect the "T_CONFIG" instruction as follows.

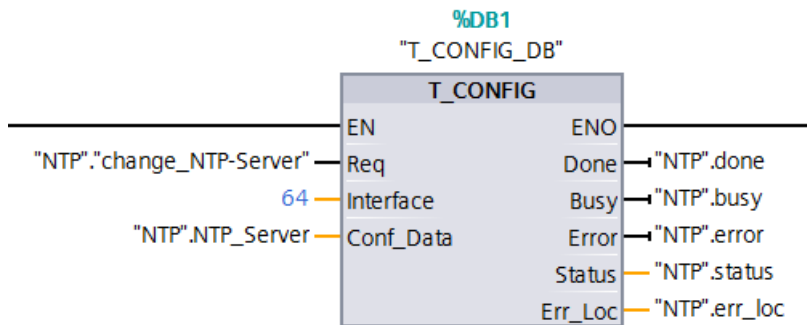


Figure 11-12 Example T_CONFIG: Changing the NTP server

5. In the user program, assign the IP address 192.168.1.10 to the data type "IF_CONF_NTP":

```
"NTP".NTP_Server.NTP_IP[1].ADDR[1] := 192;
```

```
"NTP".NTP_Server.NTP_IP[1].ADDR[2] := 168;
```

```
"NTP".NTP_Server.NTP_IP[1].ADDR[3] := 1;
```

```
"NTP".NTP_Server.NTP_IP[1].ADDR[4] := 10;
```

6. You change the IP address of the NTP server by generating a positive edge for the tag "change_NTP-Server" in the user program.

```
"NTP"."change_NTP-Server" := true;
```

Result

The ET 200SP CPU synchronizes the time with the NTP server 192.168.1.10.

11.11 Identification and maintenance data

11.11.1 Reading out and entering I&M data

I&M data

Identification and maintenance data (I&M data) is information saved on the module. The data is:

- Read-only (I-data) or
- Readable/writable (M-data)

Identification data (I&M0): Manufacturer information about the module that can only be read. Some identification data is also printed on the housing of the module, for example article number and serial number.

Maintenance data (I&M1, 2, 3): Plant-dependent information, e.g. installation location. Maintenance data is created during configuration and downloaded to the module. All modules of the ET 200SP distributed I/O system support identification data (I&M0 to I&M3).

The I&M identification data supports you in the following activities:

- Checking the plant configuration
- Locating hardware changes in a plant
- Correcting errors in a plant

Modules can be clearly identified online using the I&M identification data.

STEP 7 allows you to read the identification I&M data (see STEP 7 online help).

Note

The BusAdapter and the interface module IM 155-6 PN HF support the identification data I&M0 to I&M4 (signature).

Options for reading out I&M data

- Via the user program
- Via STEP 7 or HMI devices
- Via the CPU web server

Reading I&M data via the user program

You have the following options to read the modules' I&M data in the user program:

- Using the RDREC instruction
The record structure for distributed modules that are accessible via PROFINET IO/PROFIBUS DP, is described in the chapter Record structure for I&M data (Page 228).
- Using the Get_IM_Data instruction

Reference

The description of the instructions can be found in the STEP 7 online help.

Reading I&M data via STEP 7

Requirements: There must be an online connection to the CPU/interface module.

To read I&M data using STEP 7, follow these steps:

1. In the project tree, under "Distributed I/O" select the IO device IM 155-6 PN ST (for example).
2. Select **> IO device > Online & diagnostics > Identification & Maintenance**.

Entering maintenance data via STEP 7

STEP 7 assigns a default module name. You can enter the following information:

- Plant designation (I&M1)
- Location identifier (I&M1)
- Installation date (I&M2)
- Additional information (I&M3)

To enter maintenance data via STEP 7, follow these steps:

1. In the device view of the STEP 7 hardware network editor, select the interface module, for example.
2. In the properties under "General", select the "Identification & Maintenance" area and enter the data.

During the loading of the hardware configuration, the I&M data is also loaded.

Procedure for reading I&M data via the Web server

The procedure is described in detail in the Web server (<http://support.automation.siemens.com/WW/view/en/59193560>) Function Manual.

11.11.2 Data record structure for I&M data

Reading I&M records via the user program (distributed via PROFINET IO)

You directly access specific identification data using **Read data record** ("RDREC" instruction). You obtain the corresponding part of the identification data under the relevant data record index.

The data records are structured as follows:

Table 11- 10 Basic structure of data records with I&M identification data

Content	Length (bytes)	Coding (hex)
Header information		
BlockType	2	I&M0: 0020 _H I&M1: 0021 _H I&M2: 0022 _H I&M3: 0023 _H
BlockLength	2	I&M0: 0038 _H I&M1: 0038 _H I&M2: 0012 _H I&M3: 0038 _H
BlockVersionHigh	1	01
BlockVersionLow	1	00
Identification data		
Identification data (see table below)	I&M0/index AFF0 _H : 54 I&M1/index AFF1 _H : 54 I&M2/index AFF2 _H : 16 I&M3/index AFF3 _H : 54	

Table 11- 11 Data record structure for I&M identification data

Identification data	Access	Default	Explanation
Identification data 0: (data record index AFF0 hex)			
VendorIDHigh	Read (1 byte)	00 _H	This is where the name of the manufacturer is stored (42 _D = SIEMENS AG).
VendorIDLow	Read (1 byte)	2 A _H	
Order_ID	Read (20 bytes)	6ES7155-6AU00-0BN0	Article number of the module (e.g. of the interface module)
IM_SERIAL_NUMBER	Read (16 bytes)	-	Serial number (device-specific)
IM_HARDWARE_REVISION	Read (2 bytes)	1	Corresponding HW version
IM_SOFTWARE_REVISION	Read	Firmware version	Provides information about the firmware version of the module
• SWRevisionPrefix	(1 byte)	V	
• IM_SWRevision_Functional_Enhancement	(1 byte)	00 - FF _H	
• IM_SWRevision_Bug_Fix	(1 byte)	00 - FF _H	

Identification data	Access	Default	Explanation
<ul style="list-style-type: none"> IM_SWRevision_Internal_Change 	(1 byte)	00 - FF _H	
IM_REVISION_COUNTER	Read (2 bytes)	0000 _H	Provides information about parameter changes on the module (not used)
IM_PROFILE_ID	Read (2 bytes)	0000 _H	Generic Device
IM_PROFILE_SPECIFIC_TYPE	Read (2 bytes)	0005 _H	Interface modules/BusAdapters
		0003 _H	I/O modules and motor starters
		0001 _H	CPU
IM_VERSION	Read	0101 _H	Provides information on the version of the identification data (0101 _H = Version 1.1)
<ul style="list-style-type: none"> IM_Version_Major 	(1 byte)		
<ul style="list-style-type: none"> IM_Version_Minor 	(1 byte)		
IM_SUPPORTED	Read (2 bytes)	000E _H	Provides information about the available identification data (I&M1 to I&M3)
Maintenance data 1: (data record index AFF1 hex)			
IM_TAG_FUNCTION	Read/write (32 bytes)	-	Enter a module identifier here that is unique plant-wide.
IM_TAG_LOCATION	Read/write (22 bytes)	-	Enter the installation location of the module here.
Maintenance data 2: (data record index AFF2 hex)			
IM_DATE	Read/write (16 bytes)	YYYY-MM-DD HH:MM	Enter the installation date of the module here.
Maintenance data 3: (data record index AFF3 hex)			
IM_DESCRIPTOR	Read/write (54 bytes)	-	Enter a comment describing the module.

Reading I&M data records with data record 255 (distributed via PROFIBUS DP)

The modules support standardized access to identification data via DS 255 (index 65000 to 65003). For further information on the DS 255 data structure, refer to the specifications of the Profile Guidelines Part 1: Identification & Maintenance Functions, Order No.: 3.502, Version 2.1, May 2016

11.11.3 Example: Read out firmware version of the CPU with Get_IM_Data

Automation task

You want to check whether the modules in your automation system have the current firmware. You can find the firmware version of the modules in the I&M0 data. The I&M0 data is the basic information for a device. The I&M0 data contains information such as:

- Manufacturer ID
- Order number, serial number
- Hardware and firmware version

To read out the I&M0 data, use the "Get_IM_Data" instruction. You read the I&M0 data of all the modules in the user program of the CPU using "Get_IM_Data" instructions and store it in a data block.

Conditions and parameters

To read out the I&M data of the CPU, use the following block parameters of the "Get_IM_Data" instruction:

- LADDR: Enter the HW ID of the module at the block parameter "LADDR".
- IM_TYPE: Enter the I&M data number (e.g. "0" for I&M0 data) at the "IM_TYPE" block parameter.
- DATA: Area for storing the read I&M data (e.g. in a global data block). Store I&M0 data in an area of data type "IM0_Data".

This example shows you how to read out the I&M0 data of an ET 200SP CPU. To read out the I&M0 data of a different module, simply use the HW ID of the module at the LADDR parameter.

Solution

Proceed as follows to read out the I&M0 data of the CPU:

1. Create a global data block to store the I&M0 data.
2. Create a structure of the data type "IM0_Data" in the global data block. You can assign any name to the structure ("imData") in this case.

SLI_gDB_Get_IM_Data			
	Name	Data type	Start value
1	Static		
2	imData	IM0_Data	
3	done	Bool	false
4	busy	Bool	false
5	error	Bool	false
6	status	Word	16#0

Figure 11-13 Example: Data block for I&M data

3. Create the "Get_IM_Data" instruction in the user program, e.g. in OB 1.
4. Connect the "Get_IM_Data" instruction as follows:

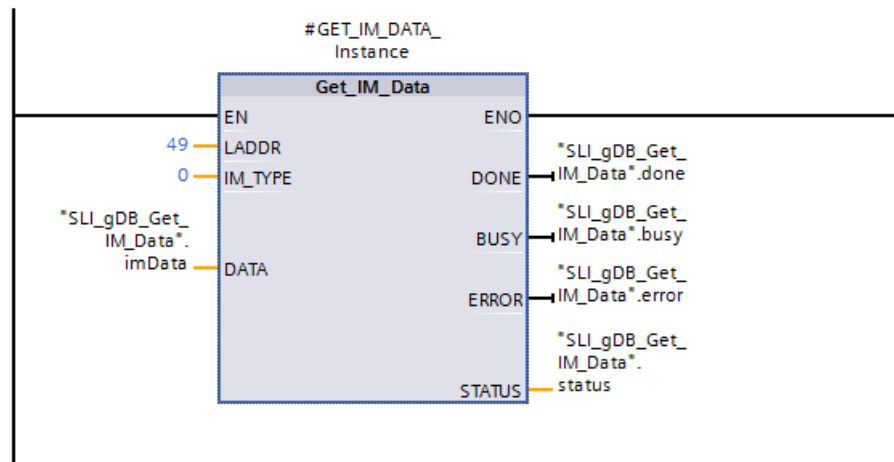


Figure 11-14 Example: Calling the "Get_IM_Data" instruction

5. Call the "Get_IM_Data" instruction in the user program.

Result

The "Get_IM_Data" instruction has stored the I&M0 data in the data block.

You can view the I&M0 data online in STEP 7, for example, in the data block with the "Monitor all" button. The CPU in the example is a 1512SP-1 PN (6ES7512-1DK01-0AK0) with the firmware version V2.5.

SLI_gDB_Get_IM_Data				
	Name	Data type	Start value	Monitor value
1	Static			
2	imData	IMO_Data		
3	Manufacturer_ID	UInt	0	42
4	Order_ID	String[20]	"	'6ES7 512-1DK01-0...
5	Serial_Number	String[16]	"	'S C-DOS710132013'
6	Hardware_Revision	UInt	0	3
7	Software_Revision	IMO_Version		
8	Type	Char	''	'V'
9	Functional	USInt	0	2
10	Bugfix	USInt	0	5
11	Internal	USInt	0	0
12	Revision_Counter	UInt	0	0
13	Profile_ID	UInt	0	0
14	Profile_Specific_Ty...	UInt	0	0
15	IM_Version	Word	16#0	16#0101
16	IM_Supported	Word	16#0	16#001E
17	done	Bool	false	TRUE
18	busy	Bool	false	FALSE
19	error	Bool	false	FALSE
20	status	Word	16#0	16#0000

Figure 11-15 Example: I&M0 data of an ET 200SP CPU

11.12 Shared commissioning of projects

Team Engineering

In Team Engineering several users from various engineering systems work on a project at the same time and access one ET 200SP CPU.

The users can edit separate parts of a master project independently of one another at the same time. The changes of the other editors are displayed in a synchronization dialog during the loading of the configuration in the CPU and synchronized automatically, if possible.

Certain online functions can also be executed at the same time from several engineering systems on a shared CPU, such as:

- Monitoring blocks on the CPU
- Modifying blocks on the CPU
- Trace functions

You can find detailed information on the topic of Team Engineering in the STEP 7 online help.

Maintenance

12.1 Removing and inserting I/O modules/motor starters (hot swapping)

Introduction

The ET 200SP distributed I/O system supports removal and insertion of I/O modules and motor starters (hot swapping) during operation (RUN mode):

- CPU/interface module HF, HS: You can remove and insert any number of I/O modules/motor starters.
- ST, BA interface module: You can only remove and insert one I/O module/motor starter.

This section provides further information on removing and inserting I/O modules/motor starters.

I/O modules/motor starters must not be removed or inserted during operation (RUN operating state) in hazardous areas.

Requirements

The following table describes which modules you may insert and remove under which conditions:

Table 12- 1 Removal and insertion of modules

Modules	Removal and insertion	Conditions
CPU	No	---
BusAdapter	No	---
CM DP module	No	---
Interface module	No	---
I/O modules	Yes	<ul style="list-style-type: none"> • Digital output modules: Only when load is switched off • Digital modules: For load voltage above the safe extra-low voltage: Only with switched off load voltage supply • Technology modules: Only with switched off supply voltage L+ • AI Energy Meter ST: <ul style="list-style-type: none"> – Only when measuring voltage on primary side is switched off, or – Without the special current transformer terminal, measuring voltage and load current must be through the converters, which means the machine or the load must be switched off in the process. With the special terminal, the process can continue because the current transformer is isolated safely. However, the measuring voltage on the module, at connections UL1-UL3, still needs to be isolated.
PotDis-TerminalBlock	Yes	Only in de-energized state.
Motor starter	Yes ¹⁾	Only when the load is disconnected; when switched on, the motor starter switches off automatically when the rotary interlock is operated.
Server module	No	---

1) The motor starter also counts as removed in the parking position

NOTICE

Risk of hazardous system states

If you remove and insert digital output modules with the load switched on or technology modules with the supply voltage switched on, this can result in hazardous system states.

The ET 200SP distributed I/O system or the connected sensors may be damaged as a result.

Therefore, a digital output module may only be inserted and removed when the load is switched off and a technology module may only be inserted and removed when the supply voltage is switched off.

NOTICE

Risk of hazardous system states


If you remove and insert the AI Energy Meter ST with the primary-side voltage switched on at the current transformer, this can result in hazardous system states.

The ET 200SP distributed I/O system may be damaged as a result.

For this reason, remove and insert the AI Energy Meter ST only in the following cases:

- When measuring voltage is switched off on the primary side, or
- When a special current transformer terminal is used that short-circuits the secondary side of the transformer when the module is removed

Do not remove or insert the AI Energy Meter ST until you have removed this current transformer terminal. With the special terminal, the process can continue because the current transformer is isolated safely. However, the measuring voltage on the module at the connections UL1-UL3 still needs to be isolated.

 **WARNING**

Risk of injury from automatic restart

Inserting a motor starter can result in dangerous system states. The motor starter can restart again autonomously if an ON command is active.

This can result in serious injury caused by connected devices that are automatically started up.

Withdraw and insert a motor starter only after disconnecting the load.

Removing and inserting I/O module or motor starter with CPU/interface module HF, HS

You can remove and insert any number of I/O modules/motor starters during operation. The CPU/interface module and the inserted I/O modules/motor starters remain in operation.

NOTICE

Reaction of the CPU to removal and insertion of the ET 200SP server module

Please note that the backplane bus is deactivated when you remove the server module, regardless of the CPU operating state. Also note that the outputs do not adopt their configured substitute value behavior when you remove the server module.

This means you should not remove the server module when the CPU is in STARTUP, RUN and STOP modes. If you have nevertheless removed the server module, perform a POWER OFF/POWER ON after you have inserted the server module again.

Removing and inserting BusAdapter or CM DP module

Do not remove or insert the BusAdapter or CM DP module when the supply voltage is switched on. If you have removed the BusAdapter or the CM DP module after CPU startup, the supply voltage of the BusAdapter or the CM DP module is switched off automatically. To switch on the supply voltage again, you need to perform a POWER OFF/POWER ON after inserting the BusAdapter/CM DP module.

Removing and inserting I/O module or motor starter with interface module ST, BA

1. You can remove **one** I/O module/**one** motor starter during operation. If you remove another I/O module/motor starter, this results in a station stop of the ET 200SP distributed I/O system:
 - All I/O modules/motor starters of the ET 200SP distributed I/O system fail → Substitute value behavior.
 - The interface module continues to exchange data with the IO controller and report diagnostics.

Note

If you want to replace several I/O modules/motor starters during operation, you must replace them one after the other.

2. If you insert all but one of the I/O modules/motor starters withdrawn during operation, all I/O modules will start up again.

Note

I/O modules/motor starters inserted in empty slots and then removed are also regarded as withdrawn during operation.

12.1 Removing and inserting I/O modules/motor starters (hot swapping)

3. After a POWER OFF/POWER ON of the supply voltage 1L+ of the interface module, all available I/O modules/motor starters start up again in line with the configuration. Evaluation of the I/O modules/motor starters removed during operation starts again (see 1).

Removing I/O modules

To remove an I/O module, follow these steps:

1. Simultaneously press the top and bottom release buttons of the I/O module.
2. Pull the I/O module out of the BaseUnit, parallel in a forward direction.

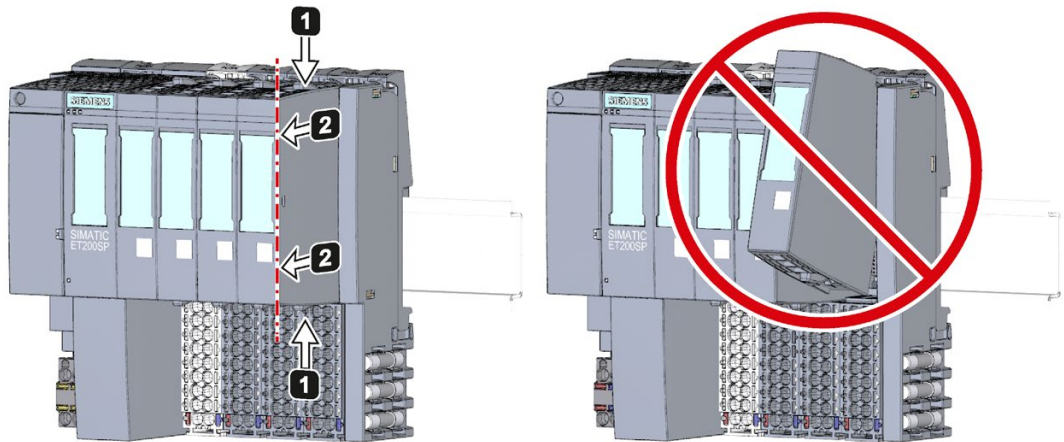


Figure 12-1 Removing I/O modules

See also

Interface modules (<http://support.automation.siemens.com/WW/view/en/55683316/133300>)

12.2 Changing the type of an I/O module

Introduction

The coding element is a two-part element. When shipped from the factory, both parts are in the I/O module. When an I/O module is installed for the first time, a part of the coding element clicks into the BaseUnit. This mechanically prevents the insertion of a different module type.

There are two versions of the ET 200SP distributed I/O system:

- Mechanical coding element: Ensures the mechanical coding described above.
- Electronic coding element: In addition to the above-mentioned mechanical coding, this version also has an electronic, rewritable memory for module-specific configuration data (such as the F-destination address for fail-safe modules, parameter data for IO link master).

Requirement

Refer to section Application planning (Page 33).

NOTICE
Do not manipulate the coding element
Making changes to the coding element may cause dangerous conditions in your plant and/or result in damage to the outputs of the ET 200SP distributed I/O system.
To avoid physical damage, do not manipulate the coding.

Changing the type of an I/O module

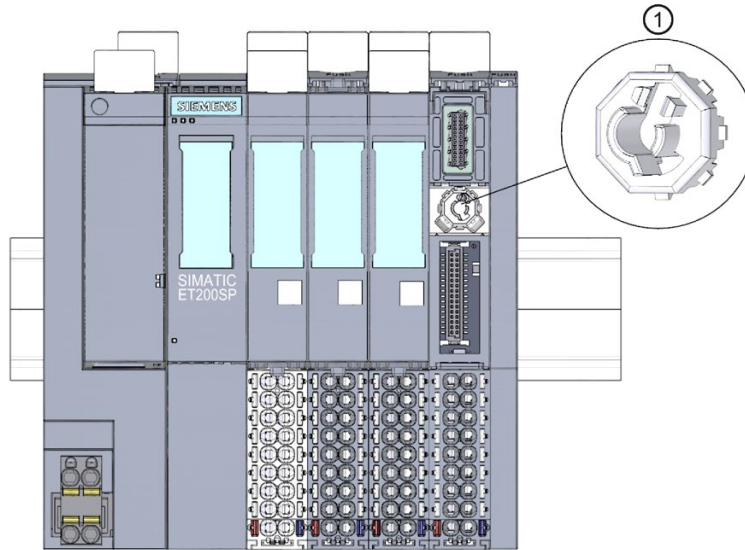
You have already removed the I/O module.

To make a type change for an I/O module, follow these steps:

1. Push the coding element out of the BaseUnit using a screwdriver.
2. Put the coding element back onto the removed I/O module.

12.3 Replacing an I/O module

3. Insert the new I/O module (other module type) into the BaseUnit until you hear it click into place.
4. Label the new I/O module.



① Coding element

Figure 12-2 Changing the type of an I/O module

12.3 Replacing an I/O module

Introduction

When an I/O module is installed for the first time, a part of the coding element clicks into the BaseUnit. When you replace an I/O module with the same type of module, the correct coding element is already present in the BaseUnit.

Requirement

Refer to section Application planning (Page 33).

Replacing an I/O module

You have already removed the I/O module.

To replace an I/O module, follow these steps:

1. Remove the coding element (part) from the underside of the new I/O module.
2. Insert the new I/O module (same module type) into the BaseUnit until you hear it click into place.
3. Mark the new I/O module (labeling strip, equipment labeling plate).

12.4 Replacing a motor starter

The SIMATIC ET 200SP motor starter is wired.

To replace a SIMATIC ET 200SP motor starter, proceed as follows:

1. Turn the mechanical rotary interlock counter-clockwise to the assembly/disassembly position.

Note

Operating position/READY

Turn the mechanical rotary interlock out of the READY position only in the current-free state (motor off).

2. Remove the SIMATIC ET 200SP motor starter from the BaseUnit.
3. Assemble the new motor starter as described.

Note

Mounting the motor starter

You will find out how to mount the motor starter in chapter "Mounting/disassembly of motor starters (Page 118)".

WARNING

Risk of injury from automatic restart

When you replace the motor starter, the motor starter can restart again autonomously if an ON command is active. This can result in property damage or serious injury caused by connected devices that are automatically started up.

Revoke the ON commands on the motor starter before replacing the motor starter.

CAUTION

Protection against electrostatic charge

When handling and installing the SIMATIC ET 200SP motor starter, ensure protection against electrostatic charging of the components. Changes to the system configuration and wiring are only permissible after disconnection from the power supply.

12.5 Replacing the terminal box on the BaseUnit

Introduction

The terminal box is part of the BaseUnit. You can replace the terminal box if necessary. You do not need to dismantle the BaseUnit to do this.

The power and AUX buses of the potential group are not interrupted when you replace the terminal box.

Requirements

- The BaseUnit is mounted, wired and fitted with an I/O module.
- The terminal may only be replaced when the supply voltage is switched off.

Required tools

3 to 3.5 mm screwdriver

Procedure

Watch the video sequence: "Replace terminal box on BaseUnit"
(<http://support.automation.siemens.com/WW/view/en/95886218>)

Proceed as follows to replace the terminal box on a BaseUnit:

1. If present, turn off the supply voltage on the BaseUnit.
2. Simultaneously press the top and bottom release buttons of the I/O module and pull the module out of the BaseUnit.
3. Disconnect the wiring on the BaseUnit.
4. The release button of the terminal box is located on the underside of the BaseUnit. Use a screwdriver to push in the small opening at an angle from above.
5. Swivel the screwdriver slightly upwards to loosen the locking mechanism of the terminal box and lever the terminal box up out of the BaseUnit at the same time.
6. Remove the coding element (part) from the terminal box and press it onto the coding element (part) of the I/O module that you removed in step 2.
7. Insert the new terminal box into the BaseUnit at the top and swivel it downwards until it clips into the BaseUnit.
8. Wire up the BaseUnit.

9. Insert the I/O module into the BaseUnit.
10. Switch on a supply voltage on the BaseUnit.

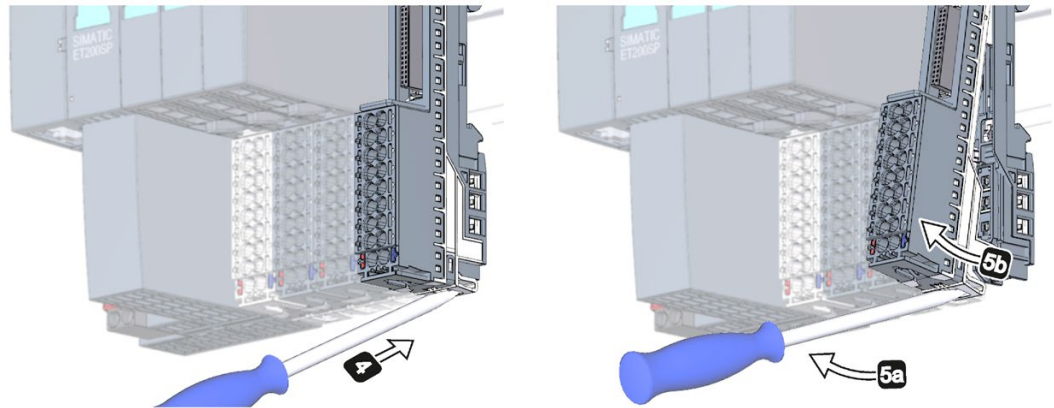


Figure 12-3 Replacing the terminal box on the BaseUnit

12.6 Firmware update

Introduction

During operation it may be necessary to update the firmware (e.g. to extend the available functions).

Update the firmware of the CPU/interface module and the I/O modules using firmware files. The retentive data is retained after the firmware has been updated.

Requirement

Modules with firmware version V0.0.0 do not support the "firmware update" function.

- You have downloaded the file(s) for the firmware update from the Product Support (<https://support.industry.siemens.com/cs/ww/en/ps>) web page.

On this web page, select:

- Automation Technology > Automation Systems > Industrial Automation Systems SIMATIC > SIMATIC ET 200 I/O Systems > ET 200 systems for the cabinet > ET 200SP.

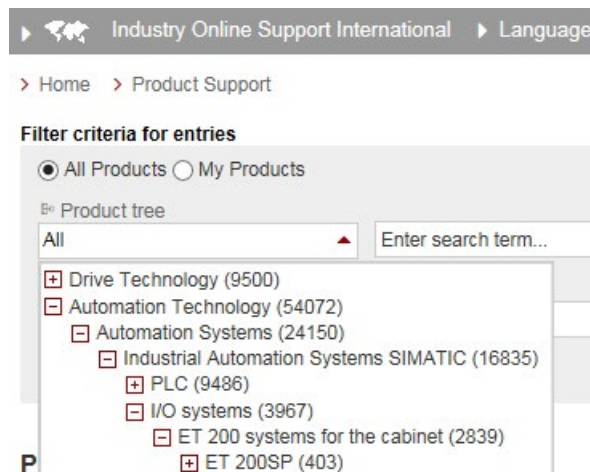


Figure 12-4 ET 200SP in the product tree

From this position, navigate to the specific type of module that you want to update. To continue, click on the "Software downloads" link under "Support". Save the desired firmware update files.

All information on ET 200SP

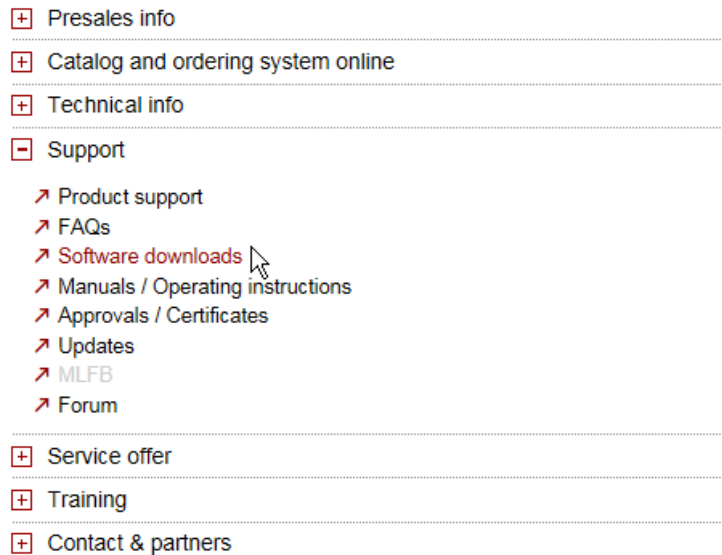


Figure 12-5 Selecting the software downloads


- Before installing the firmware update, make sure that the modules are not being used.
- Modules with firmware version V0.0.0 do not support the "firmware update" function.

Note

Firmware update of I/O modules

The L+ supply voltage must be present on the module at the start of and during the firmware update.

Additional requirement for fail-safe modules

 WARNING
<p>Check the firmware version for fail-safe approval</p> <p>When using a new firmware version, always check that the version is approved for use in the module in question.</p> <p>The attachments of the certificate http://support.automation.siemens.com/WW/view/en/49368678/134200 for SIMATIC Safety specify the firmware version that is approved.</p>

Options for the firmware update

The following options are available for updating firmware:

- Online in STEP 7 via Online & Diagnostics
- Online in STEP 7 via accessible devices (PROFINET)
- Using a SIMATIC memory card (possible for CPU and central I/O modules)
- Via the integrated Web server (possible for CPU as well as centralized and distributed I/O modules)
- Online via the SIMATIC Automation Tool

Note

Firmware files of the CPU

If you perform a CPU update with STEP 7, you require STEP 7 (TIA Portal as of V13 Update 3).

The table below provides an overview of the media that can be used to update the firmware of a specific module.

Table 12- 2 Overview of firmware update options

Firmware update	CPU	Interface module	I/O module
STEP 7 (TIA Portal)	✓ ¹⁾	✓	✓
STEP 7 (V5.5 SP2 or higher) ²⁾	--	✓	✓
Accessible devices	✓	✓	✓
SIMATIC memory card	✓	--	✓
Web server of the CPU	✓	--	✓
SIMATIC Automation Tool	✓	✓	✓

1) V13 update 3 or higher

2) If the firmware files are only available in this format, you can also install the files using STEP 7 (TIA Portal) but not the SIMATIC memory card or the Web server.

Firmware update for the motor starter


The following options are available for updating firmware for the motor starter.

- Online via PROFINET IO/PROFIBUS DP (with STEP 7)
- Via the integrated Web server (possible for CPU as well as centralized and distributed I/O modules)
- With the TIA Portal:
 - As of SIMATIC STEP 7 V13 SP1 with installed HSP for the ET 200SP motor starter
 - SIMATIC STEP 7 V14 and higherOver a SIMATIC memory card
- With SIMATIC STEP 7 version V5.5 SP4 and higher
- For fail-safe motor starters with the TIA Portal Version V14 SP1 or higher and installed HSP.

Note

The firmware update for fail-safe motor starters must take place in a separate ET 200SP system in which only the fail-safe motor starter that is to be updated is inserted.

Installation of the firmware update

 WARNING
Risk of impermissible system states <p>The CPU switches to STOP mode or the interface module to "station failure" as a result of the firmware update being installed. STOP or station failure can have an adverse effect on the operation of an online process or a machine.</p> <p>Unexpected operation of a process or a machine can lead to fatal or severe injuries and/or to material damages.</p> <p>Make sure that the CPU/interface module is not executing any active process before installing the firmware update.</p>

Procedure online in STEP 7 via Online & Diagnostics

Requirements: There is an online connection between the CPU/module and PG/PC.

Proceed as follows to perform an online firmware update via STEP 7:

1. Select the module in the device view.
2. Select the "Online & diagnostics" command from the shortcut menu.
3. Select the "Firmware update" group in the "Functions" folder.
4. Click the "Browse" button to select the path to the firmware update files in the "Firmware update" area.
5. Select the suitable firmware file. The table in the firmware update area lists all modules for which an update is possible with the selected firmware file.
6. Click the "Run update" button. If the module can interpret the selected file, the file is downloaded to the module.

Updating the firmware

The "Run firmware after update" check box is always selected.

When the loading process is complete, the CPU adopts the firmware and then operates with this new firmware.

Note

If a firmware update is interrupted, you need to remove and insert the module before starting the firmware update again.

Procedure online in STEP 7 via accessible devices

To perform a firmware update online via accessible devices, follow these steps:

1. From the "Online" menu, select the "Accessible devices" menu item.
2. In the "Accessible devices" dialog, search for the accessible devices for the selected PROFINET interface.
3. To go to a device in the project tree, select the desired device from the list of accessible devices and click the "Show" button.
4. In the project tree, select the "Online & diagnostics" option of the relevant device and perform the firmware update under the category "Functions/Firmware Update" (CPU, Local modules).

Procedure using the SIMATIC memory card

To perform a firmware update using the SIMATIC memory card, follow these steps:

1. Insert a SIMATIC memory card into the SD card reader of your programming device/computer.
2. To store the update file on the SIMATIC memory card, select the SIMATIC memory card in the "Card Reader/USB memory" folder in the project tree.
3. Select the "Card Reader/USB memory > Create firmware update memory card" command in the "Project" menu.
4. Use a file selection dialog to navigate to the firmware update file. In a further step you can decide whether you want to delete the content of the SIMATIC memory card or whether you want to add the firmware update files to the SIMATIC memory card.
5. Insert the SIMATIC memory card with the firmware update files into the CPU.

Point to note when updating firmware for analog modules and the IO-Link Master CM 4xIO-Link communication module

If you want to update firmware for analog modules or the IO-Link Master CM 4xIO-Link communication module, you must supply a load current of 24 V DC to the modules through the infeed element.

Procedure

1. Remove any inserted SIMATIC memory card.
2. Insert the SIMATIC memory card with the firmware update files into the CPU.
3. The firmware update begins shortly after the SIMATIC memory card has been inserted.
4. Remove the SIMATIC memory card after the firmware update has been completed.
The RUN LED on the CPU lights up yellow, the MAINT LED flashes yellow.

If you want to use the SIMATIC memory card later as a program card, delete the firmware update files manually.

Note

If your hardware configuration contains several modules, the CPU updates all affected modules in the slot sequence, which means in ascending order of the module position in the STEP 7 device configuration.

Note

Memory size of the SIMATIC memory card

If you perform a firmware update via the SIMATIC memory card, you must use a large enough card based on the CPU used and the associated I/O modules.

Note the specified file sizes of the update files when downloading them from Siemens Industry Online Support. The file size information is especially important when you perform the firmware update not only for the CPU but also for the associated I/O modules, communication modules, etc. The total size of the update files must not exceed the available memory size of your SIMATIC memory card.

You can find more information on the capacity of SIMATIC memory cards in the section Accessories/spare parts (Page 291) and in the function manual Structure and use of the CPU memory (<https://support.industry.siemens.com/cs/de/en/view/59193101>).

Procedure: via the integrated Web server

The procedure is described in the Web server (<http://support.automation.siemens.com/WW/view/en/59193560>) function manual.

Procedure: online via the SIMATIC Automation Tool

The procedure is described in the SIMATIC Automation Tool (<https://support.industry.siemens.com/cs/ww/en/view/98161300>) manual (included in the SIMATIC Automation Tool).

Behavior during the firmware update

Note the following behavior of the relevant I/O module when carrying out a firmware update:

- The DIAG LED display flashes red.
- The I/O module retains its current diagnostic status.
- Diagnostics alarm: Channel temporarily unavailable (error code 31_D/1F_H)
- All outputs are in a current-free/voltage-free state

Note the following behavior when carrying out the firmware update of the motor starter:

- RN flashes green and ER flashes red.
- ST/OL flashes green and MAN flashes yellow.
- The motor starter powers up after completion of the firmware update. Diagnoses are reset. The firmware update does not affect the TMM and the cooling time.
- The sensor supply of the DI module remains active.

Behavior after the firmware update

After the firmware update, check the firmware version of the updated module.

Reference

You will find more information on these procedures in the STEP 7 online help.

12.7 Resetting CPU/interface module (PROFINET) to factory settings

12.7.1 Resetting the CPU to factory settings

Introduction

The CPU can be reset to its delivery state using "Reset to factory settings". The function deletes all information saved internally on the CPU.

If you want to remove a PROFINET CPU and use it elsewhere with a different program, or put it into storage, we recommend that you reset the CPU to its factory settings. When restoring the factory settings, remember that you also delete the IP address parameters.

Recommendation

Put the CPU into its delivery state if:

- You remove a CPU and use it elsewhere with a different program
- You return the CPU to stock

When resetting to factory settings, remember that the IP address parameters are also deleted.

Options for resetting a CPU to factory settings

The following options are available for resetting the CPU to its factory settings:

- Using the mode selector
- Using STEP 7
- Using the SIMATIC Automation Tool

Procedure using the mode selector

Make sure that there is no SIMATIC memory card in the CPU and that the CPU is in STOP mode (the RUN/STOP LED is lit yellow).

Note

Reset to factory settings ↔ Memory reset

The procedure described below also corresponds to the procedure for a memory reset:

- Selector operation with inserted SIMATIC memory card: CPU executes a memory reset
 - Selector operation without inserted SIMATIC memory card: CPU executes reset to factory settings
-

12.7 Resetting CPU/interface module (PROFINET) to factory settings

Perform a reset to factory settings when there is no SIMATIC memory card inserted as follows:

1. Set the mode selector to the STOP position.
Result: The RUN/STOP LED lights up yellow.
2. Set the mode selector to the MRES position. Hold the mode selector in this position until the RUN/STOP LED lights up for the second time and remains lit (this takes 3 seconds). After this, release the switch.
3. Within the next three seconds, switch the mode selector back to the MRES position, and then back to STOP again.

Result: The CPU executes the "Reset to factory settings", during which time the RUN/STOP LED flashes yellow. When the RUN/STOP LED lights up yellow, the CPU has been reset to factory settings and is in the STOP mode. The "Reset to factory settings" event is entered in the diagnostics buffer.

Note

The IP address of the CPU is also deleted when the CPU is reset to the factory settings through the mode selector.

For information on the memory reset of the CPU, refer to the section CPU memory reset (Page 213).

Procedure using STEP 7

Make sure that an online connection to the CPU exists.

To reset a CPU to factory settings using STEP 7, follow these steps:

1. Open the Online and Diagnostics view of the CPU.
2. In the "Functions" folder, select the "Reset to factory settings" group.
3. If you want to keep the IP address, select the "Retain IP address" option button. If you want to delete the IP address, select the "Reset IP address" option button.

Note

"Delete IP address" deletes all IP addresses, regardless of how you established the online connection.

If there is a SIMATIC memory card inserted, selecting the "Delete IP address" option has the following effect:

- The IP addresses are deleted and the CPU is reset to factory settings.
 - The configuration (including IP address) on the SIMATIC memory card is then downloaded to the CPU. If there is no saved configuration (because the SIMATIC memory card has been cleared or formatted, for example), no new IP address is assigned.
-

4. Click the "Reset" button.

5. Click "OK" in response to the confirmation prompts.

Result: The CPU executes the "Reset to factory settings", during which time the RUN/STOP LED flashes yellow. When the RUN/STOP LED lights up yellow, the CPU has been reset to factory settings and is in the STOP mode. The "Reset to factory settings" event is entered in the diagnostics buffer.

Procedure using the SIMATIC Automation Tool

The procedure is described in the SIMATIC Automation Tool (<https://support.industry.siemens.com/cs/ww/en/view/98161300>) manual (included in the SIMATIC Automation Tool).

Result after resetting to factory settings

The following table provides an overview of the contents of the memory objects after the reset to factory settings.

Table 12-3 Result after resetting to factory settings

Memory object	Content
Actual values of the data blocks, instance data blocks	Initialized
Bit memory, timers and counters	Initialized
Certain retentive tags from technology objects (e.g. adjustment values of absolute encoders)	Initialized
Diagnostics buffer entries	Initialized
IP address	Depends on the procedure: <ul style="list-style-type: none"> Using mode switch: is deleted Using STEP 7: Depending on the setting of the "Keep IP address"/"Delete IP address" option buttons
Device name	Is set to "CPU"
Counter readings of the runtime meters	Initialized
Time of day	Is set to "00:00:00, 01.01.2012"

If a SIMATIC memory card was inserted prior to the factory reset, the CPU downloads the configuration contained on the SIMATIC memory card (hardware and software). A configured IP address then becomes valid again.

Reference

Additional information on the topic "Resetting to factory settings" can be found in the Structure and use of the CPU memory (<http://support.automation.siemens.com/WW/view/en/59193101>) function manual, section on memory areas and retentivity, and in the STEP 7 online help.

12.7.2 Resetting interface module (PROFINET IO) to factory settings

Function

The "Reset to factory settings" function returns the interface module (PROFINET) to its delivery state.

Reset options

- Using STEP 7 (online via PROFINET IO)
- Using a reset button on the interface module (on rear). Exception: The IM 155-6 PN BA does not have this reset button. See section Resetting the interface module (PROFINET IO) to factory settings with a RESET button (Page 253).

Procedure using STEP 7

To reset an interface module to factory settings using STEP 7, follow these steps:

Make sure that an online connection to the interface module exists.

1. Open the online and diagnostics view of the interface module.
2. In the "Functions" folder, select the "Reset to factory settings" group.
3. Click the "Reset" button.
4. Click "OK" in response to the confirmation prompt.

Result: The interface module then performs "Reset to factory settings".

Result after resetting to factory settings

The following table shows the values of the interface module properties after a factory reset:

Table 12- 4 Properties of the interface module as shipped

Properties	Value
Parameters	Default setting
IP address	Not available
Device name	Not available
MAC address	Available
I&M data	Identification data (I&M0) available Maintenance data (I&M1, 2, 3, 4) reset *
Firmware version	Available

Note**Failure of downstream stations is possible**

Downstream stations on a bus segment can fail when the factory settings are restored on an interface module.

Note**Behavior of the installed I/O modules during reset to factory settings**

The I/O modules of the ET 200SP distributed I/O system assume the unconfigured state after a reset to factory settings. The interface module does not acquire any input data and does not output any output data.

Reference

You will find more information on the procedure in the STEP 7 online help.

12.7.3 Resetting the interface module (PROFINET IO) to factory settings with a RESET button

Requirement

The supply voltage to the interface module is turned on.

Required tools

3 to 3.5 mm screwdriver (for resetting with a RESET button)

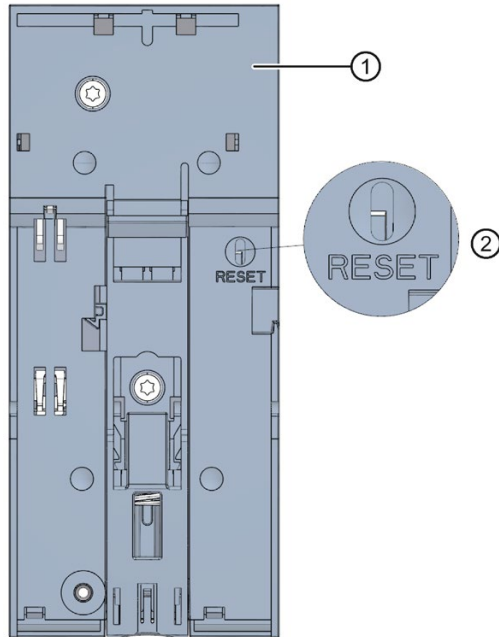
Procedure

Proceed as follows to reset an interface module to factory settings by means of the RESET button:

1. Remove the interface module from the mounting rail (see Mounting the CPU/interface module (Page 69)) and swivel it downwards.
2. The RESET button is located on the rear of the interface module behind a small opening: Press a screwdriver into the small opening for at least 3 seconds to activate the RESET button.

12.7 Resetting CPU/interface module (PROFINET) to factory settings

3. Install the interface module back on the mounting rail (see Mounting the CPU/interface module (Page 69)).
4. Assign parameters to the interface module again.



- ① Rear of the interface module
- ② RESET button

Figure 12-6 RESET button

12.8 Reaction to faults in fail-safe modules and fail-safe motor starters

Safe state (safety concept)

The basic principle behind the safety concept is the existence of a safe state for all process variables.

Note

For digital F-modules, this safe state is the value "0". This applies to both sensors and actuators. In the case of the fail-safe motor starters, the load is shut down in a fail-safe manner.

Fault reactions and startup of the F-system

The safety function means that fail-safe modules use substitute values (safe state) instead of process values (**passivation of the fail-safe module**) in the following situations:

- When the F-system is started up
- If errors are detected during safety-related communication between the F-CPU and the F-module via the PROFIsafe safety protocol (communication error)
- If F-I/O faults or channel faults are detected (e.g. crossover or discrepancy errors)

Detected faults are written to the diagnostic buffer of the F-CPU and communicated to the safety program in the F-CPU.

F-modules cannot save errors as retentive data. After a POWER OFF / POWER ON, any faults still existing are detected again during startup. However, you have the option of saving faults in your safety program.

 WARNING
--

For channels that you set to "deactivated" in STEP 7, no diagnostic response or error handling is triggered when a channel fault occurs, not even when such a channel is affected indirectly by a channel group fault ("Channel activated/deactivated" parameter).
--

Remedying faults in the F-system

To remedy faults in your F-system, follow the procedure described in IEC 61508-1:2010 section 7.15.2.4 and IEC 61508-2:2010 section 7.6.2.1 e.

The following steps must be performed:

1. Diagnosing and repairing the fault
2. Revalidation of the safety function
3. Recording in the service report

Substitute value output for fail-safe modules

In the case of F-modules with inputs, if there is passivation, the F-system provides substitute values (0) for the safety program instead of the process data pending at the fail-safe inputs.

In the case of F-modules with outputs, if there is passivation, the F-system transfers substitute values (0) to the fail-safe outputs instead of the output values provided by the safety program. The output channels are de-energized. This also applies when the F-CPU goes to STOP mode. Assignment of substitute values is not possible.

Substitute values are used either for the relevant channel only or for all channels of the relevant failsafe module depending on:

- The F-system used
- The type of error that occurred (F-I/O, channel fault or communication error)
- The F-module parameter assignment

Reintegration of a fail-safe module

The system changes from fail-safe to process values (reintegration of an F-module) either automatically or only after user acknowledgment in the safety program. If channel faults occur, it may be necessary to remove and reinsert the F-module. A detailed listing of faults requiring removal and insertion of the F-module can be found in the section Diagnostic messages of the respective F-module.

After reintegration, the following occurs:

- In the case of an F-module with inputs, the process data pending at the fail-safe inputs is made available to the safety program again
- In the case of an F-module with outputs, the output values provided in the safety program are transferred to the fail-safe outputs again

Additional information on passivation and reintegration

For additional information on passivation and reintegration of F-I/O, refer to the SIMATIC Safety, Configuring and Programming (<http://support.automation.siemens.com/WW/view/en/54110126>) manual.

Behavior of the fail-safe module with inputs in the event of a communication disruption

F-modules with inputs respond differently to communication errors compared to other errors.

If a communication error is detected, the current process values remain set at the inputs of the F-module. There is no passivation of the channels. The current process values are passivated in the F-CPU.

12.9 Maintenance and repair

The components of the SIMATIC ET 200SP system are maintenance-free.

Note

Repairs to a SIMATIC ET 200SP system may only be carried out by the manufacturer.

12.10 Warranty

To meet the conditions of the warranty, you must observe the safety and commissioning instructions.

Test and service functions

13.1 Test functions

Introduction

You can test the flow of your user program on the CPU. You monitor signal states and values of tags, and preassign tags with values so that you can simulate specific situations for the program flow.

Note

Using test functions

The use of test functions can influence the program execution time and thus the cycle and response times of the controller to a slight extent (a few milliseconds).

Requirements

- There is an online connection to the relevant CPU.
- An executable program is in the CPU.

Test options

- Testing with program status
- Testing with breakpoints
- Testing with a watch table
- Testing with a force table
- Testing with PLC tag table
- Testing with data block editor
- Testing with the LED flash test
- Testing with trace function

Testing with program status

The program status allows you to monitor the execution of the program. You can display the values of operands and the results of logic operations (RLO) allowing you to recognize and fix logical errors in your program.

Note

Restrictions for the "Program status" function

The monitoring of loops can significantly increase the cycle time. The increase in cycle time depends on the following factors:

- The number of tags to be monitored
 - The actual number of loops run through
-

 WARNING
--

Testing with program status

A test with the "Program status" function can produce serious property damage and personal injury in the event of malfunctions or program errors.

Make sure that you take appropriate measures to exclude the risk of hazardous conditions occurring before running a test with the "Program status" function.
--

Testing with breakpoints

With this test option, you set breakpoints in your program, establish an online connection, and enable the breakpoints on the CPU. You then execute a program from one breakpoint to another.

Requirements:

- Setting breakpoints is possible in the programming language SCL or STL.

Testing with breakpoints provides you with the following advantages:

- Localization of logic errors step by step
- Simple and quick analysis of complex programs prior to actual commissioning
- Recording of current values within individual executed loops
- Use of breakpoints for program validation also possible in SCL/STL networks within LAD/FBD blocks

Note

Restriction during testing with breakpoints

- When you test with breakpoints, there is a risk of overwriting the cycle time of the CPU.
 - If you are using technology objects and test them with breakpoints, the CPU switches to STOP mode.
-

Note

F-System SIMATIC Safety

The setting of breakpoints in the standard user program results in errors in the safety program:

- Sequence of F cycle time monitoring
- Error in communication with the fail-safe I/O
- Error during safety-oriented CPU-CPU communication
- Internal CPU error

If you still wish to use breakpoints for testing, you must deactivate the safety mode beforehand. This will result in the following errors:

- Error in communication with the fail-safe I/O
 - Error during safety-oriented CPU-CPU communication
-

Testing with watch tables

The following functions are available in the watch table:

- Monitoring of tags

With watch tables, you can monitor the current values of individual tags of a user program or a CPU on the PG/PC and Web server. For the Web server to be able to display the value of tags, you must specify a symbolic name for each tag in the "Name" column of the watch table.

You can monitor the following operand areas:

- Inputs and outputs (process image) and bit memory
- Contents of data blocks
- Peripheral inputs and peripheral outputs
- Timers and counters

- Modifying tags

Use this function to assign fixed values to the individual tags of a user program or CPU. Modifying is also possible for testing with program status.

You can control the following operand areas:

- Inputs and outputs (process image) and bit memory
- Contents of data blocks
- Peripheral inputs and peripheral outputs (for example, %I0.0:P, %Q0.0:P)
- Timers and counters

- "Enable peripheral outputs" and "Control immediately"

These two functions enable you to assign fixed values to individual peripheral outputs of a CPU in the STOP mode. You can also use them to check your wiring.

Testing with the force table

The following functions are available in the force table.

- Monitoring of tags

With force tables, you can display the current values of individual tags of a user program or a CPU on the PG/PC and Web server. You can monitor the table with or without a trigger condition. For the Web server to be able to display the value of tags, you must specify a symbolic name for each tag in the "Name" column of the force table.

You can monitor the following tags:

- Bit memory
- Contents of data blocks
- Peripheral inputs (e.g. %I0.0:P)

- Modifying tags

With this function, you assign fixed values to the individual tags of a user program or a CPU on the PG/PC and Web server. Modifying is also possible for testing with program status.

You can control the following tags:

- Bit memories
- Contents of data blocks
- Peripheral inputs (e.g. %I0.0:P)

- Forcing of peripheral inputs and peripheral outputs

You can force individual peripheral inputs or peripheral outputs.

- Peripheral inputs: Forcing of peripheral inputs (for example %I0.0:P) represents the "bypassing" of sensors/inputs by specifying fixed values to the program. Instead of the actual input value (via process image or via direct access) the program receives the force value.
- Peripheral outputs: Forcing of peripheral outputs (for example %Q0.0:P) represents the "bypassing" of the complete program by setting fixed values for the actuators.

You can use the force table to simulate different test environments and also overwrite tags in the CPU with a fixed value. This enables you to intervene in the running process to control it.

Difference between modifying and forcing

The fundamental difference between the modifying and forcing functions consists in the storage behavior:

- Modifying: Modifying of tags is an online function and is not stored in the CPU. You can end modifying of tags in the watch table or by disconnecting the online connection.
- Forcing: A force job is written to the SIMATIC memory card and is retained after a POWER OFF. You can only end the forcing of peripheral inputs and peripheral outputs in the force table.

Testing with PLC tag table

You can monitor the data values that tags currently assume in the CPU directly in the PLC tag table. To do this, open the PLC tag table and start monitoring.

Additionally, you have a possibility of copying PLC tags to a monitoring or force table and of monitoring, controlling or forcing them there.

Testing with data block editor

Various possibilities of monitoring and controlling tags are at your disposal in the data block editor. These functions directly access the current values of the tags in the online program. Current values are the values that the tags assume at the current time during program execution in the CPU's work memory. The following functions for monitoring and control are possible via the data block editor:

- Monitoring tags online
- Controlling individual actual values
- Creating a snapshot of the actual values
- Overwriting actual values with a snapshot

Note

Setting data values during commissioning

During commissioning of a system, data values often have to be adjusted to optimally adapt the program to the general conditions prevailing locally. To this end, the declaration table offers a few functions for data blocks.

Testing with the LED flash test

In many online dialogs, you can perform an LED flash test. This function is useful, for example, when you are not sure which device in the hardware configuration corresponds to the device currently selected in the software.

When you click the "Flash LED" button, an LED flashes on the currently selected device. In the case of the CPU, the RUN/STOP, ERROR and MAINT LEDs flash. They flash until you cancel the flashing test.

Testing with trace function

The trace function is used to record the CPU tags, depending on the settable trigger conditions. Tags are, for example, the drive parameters or system and user tags of a CPU. The CPU saves the recordings. You can display and evaluate the recordings with STEP 7, if necessary.

The trace function can be called from the CPU's folder in the project tree, under the name "Traces".

In connection with trace functions, also pay attention to the following FAQ on the Internet (<https://support.industry.siemens.com/cs/ww/en/view/102781176>).

Simulation

With STEP 7 you can run and test the hardware and software of the project in a simulated environment. Start the simulation using the menu command "Online" > "Simulation" > "Start".

Reference

You can find more information on test functions in the STEP 7 online help.

Further information about testing with trace and logic analyzer functions is available in the Function Manual Using the trace and logic analyzer function (<http://support.automation.siemens.com/WW/view/en/64897128>).

13.2 Reading out/saving service data

Service data

In addition to the contents of the diagnostics buffer, the service data contains a wide range of extra information about the internal status of the CPU. If a problem occurs with the CPU that cannot be solved with other methods, send the service data to Service & Support. The service data allows Service & Support to run fast analysis of the problems that have occurred.

Note

You cannot simultaneously execute a download to the device while reading out the service data of the CPU.

Methods of reading service data

You can read service data with:

- The Web server
- STEP 7
- the SIMATIC memory card

Procedure using the Web server

To read service data using the Web server, follow these steps:

1. Open a Web browser that is suitable for communication with the CPU.
2. Enter the following address in the address bar of the web browser:
https://<CPU IP address>/save_service_data, e.g. https://172.23.15.3/save_service_data

3. The service data page will appear on your screen, with a button for saving the service data.

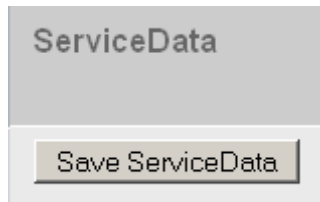


Figure 13-1 Reading out service data with the Web server

4. Save the service data locally on your PC/programming device, by clicking "Save ServiceData".

Result: The CPU stores the data in a .dmp file with the following naming convention: "<Article number> <Serial number> <Time stamp>.dmp". The file name cannot be changed.

Note

If you have defined your user page as the Web server's home page, direct access to the service data by entering the CPU's IP address is not possible. You will find further information on reading out service data via a user-defined page in the Web server (<http://support.automation.siemens.com/WW/view/en/59193560>) function manual.

Procedure using STEP 7

You can find more information on saving service data with the keyword "Saving service data" in the STEP 7 online help.

Procedure via the SIMATIC memory card

If Ethernet communication with the CPU is not possible, use the

SIMATIC memory card to read out the service data. In all other cases, read the service data via the web server or STEP 7..

The procedure using the SIMATIC memory card is more time-consuming than the other options for reading out the service data. You must also ensure before reading out that there is sufficient memory space on the SIMATIC memory card.

To read service data using the SIMATIC memory card, follow these steps:

1. Insert the SIMATIC memory card into the card reader of your PC / programming device.
2. Open the job file S7_JOB.S7S in an editor.
3. Overwrite the entry PROGRAM with the string DUMP in the editor.
Do not use any spaces/line breaks/quotation marks to ensure that the file size is exactly 4 bytes.
4. Save the file under the existing file name.
5. Ensure that the SIMATIC memory card is not write-protected and insert the SIMATIC memory card in the card slot of the CPU. Pay attention to the procedure described in Removing/inserting the SIMATIC memory card on the CPU (Page 205).

Result: The CPU writes the service data file DUMP.S7S to the SIMATIC memory card and remains in STOP mode.

Service data transfer is complete when the STOP LED stops flashing and is lit continuously. If the service data transfer was successful, only the STOP LED lights up.

In the event of errors during the transfer, the STOP LED is lit continuously and the ERROR LED flashes. The CPU also stores a text file with information on the error that occurred in the DUMP.S7S folder.

Technical specifications

Introduction

This chapter lists the technical specifications of the system:

- The standards and test values that the ET 200SP distributed I/O system complies with and fulfills.
- The test criteria according to which the ET 200SP distributed I/O system was tested.

Technical specifications for the modules

The technical specifications of the individual modules can be found in the manuals of the modules themselves. In the event of deviations between the statements in this document and the manuals, the statements in the manuals take priority.

14.1 Standards, approvals and safety notes

Currently valid markings and approvals

Note**Information on the components of the ET 200SP**

The currently valid markings and approvals are printed on the components of the ET 200SP distributed I/O system.

Safety information

 **WARNING**

Personal injury and damage to property may occur

In hazardous areas, personal injury and damage to property may occur if you disconnect plug-in connections during operation of an ET 200SP distributed I/O system.

Always switch off the power to the ET 200SP distributed I/O system when disconnecting plug-in connections in hazardous areas.

 **WARNING**

Explosion hazard

If you replace components, compliance with Class I, Div. 2 or zone 2 may become invalid.

 **WARNING**

Area of application

This device is only suitable for use in Class I, Div. 2, Group A, B, C, D; Class I, zone 2, Group IIC, or in non-hazardous areas.

Five safety rules for work in or on electrical installations

A set of rules, which are summarized in DIN VDE 0105 as the "five safety rules", are defined for work in or on electrical installations as a preventative measure against electrical accidents:

1. Isolate
2. Secure against switching on again
3. Verify that the equipment is not live
4. Ground and short-circuit
5. Erect barriers around or cover adjacent live parts

These five safety rules must be applied in the above order prior to starting work on an electrical system. After completing the work, proceed in the reverse order.

It is assumed that every electrician is familiar with these rules.

CE marking



The ET 200SP distributed I/O system meets the general and safety-related requirements of the following directives and conforms to the harmonized standards (EN) for programmable controllers published in the official journals of the European Union:

- 2014/35/EU "Electrical equipment designed for use within certain voltage limits" (Low Voltage Directive)
- 2014/30/EU "Electromagnetic Compatibility" (EMC Directive)
- 2014/34/EU "Equipment and protective systems intended for use in potentially explosive atmospheres" (Explosion Protection Directive)
- 2011/65/EU "Restriction of the use of certain hazardous substances in electrical and electronic equipment" (RoHS Directive)
- 2006/42/EC "Machinery Directive" for ET 200SP fail-safe modules

The EC Declarations of Conformity are available for the responsible authorities and are kept at the following address:

Siemens AG
 Digital Industries

 Factory Automation
 DI FA AS SYS
 Postfach 1963
 D-92209 Amberg

They are also available for download on the Siemens Industry Online Support (<https://support.industry.siemens.com/cs/ww/en/>) website, keyword "Declaration of Conformity".

cULus approval



Underwriters Laboratories Inc., complying with

- UL 508 (Industrial Control Equipment) OR UL 61010-1 and UL 61010-2-201
- CSA C22.2 No. 142 (Process Control Equipment) OR CSA C22.2 No. 61010-1 and CSA C22.2 No. 61010-2-201

OR

cULus HAZ. LOC. approval



Underwriters Laboratories Inc., complying with

- UL 508 (Industrial Control Equipment) OR UL 61010-1 and UL 61010-2-201
- CSA C22.2 No. 142 (Process Control Equipment) OR CSA C22.2 No. 61010-1 and CSA C22.2 No. 61010-2-201
- ANSI/ISA 12.12.01
- CSA C22.2 No. 213 (Hazardous Location)

APPROVED for use in

Class I, Division 2, Group A, B, C, D Tx;

Class I, Zone 2, Group IIC Tx

Installation Instructions for cULus haz.loc.

- WARNING – Explosion Hazard – Do not disconnect while circuit is live unless area is known to be non-hazardous.
- WARNING - Explosion Hazard - Substitution of components may impair suitability for Class I, Division 2 or Zone 2.
- This equipment is suitable for use in Class I, Division 2, Groups A, B, C, D; Class I, Zone 2, Group IIC; or non-hazardous locations.

WARNING: EXPOSURE TO SOME CHEMICALS MAY DEGRADE THE SEALING PROPERTIES OF MATERIALS USED IN THE RELAYS.

OR

CSA



CSA C22.2 (Industrial Control Equipment Motor Controllers)

OR

UL



UL 60947-4-2 Low-Voltage Switchgear and Controlgear

OR

FM approval



Factory Mutual Research (FM) according to

- Approval Standard Class Number 3611, 3600, 3810
- ANSI/UL 12.12.01
- ANSI/ISA 61010-1
- CSA C22.2 No. 213
- CSA C22.2 No. 61010-1
- CSA C22.2 No. 0-10

APPROVED for use in Class I, Division 2, Group A, B, C, D Tx;
Class I, Zone 2, Group IIC Tx

Installation Instructions for FM

- WARNING – Explosion Hazard – Do not disconnect while circuit is live unless area is known to be non-hazardous.
- WARNING - Explosion Hazard - Substitution of components may impair suitability for Class I, Division 2 or Zone 2.
- This equipment is suitable for use in Class I, Division 2, Groups A, B, C, D; Class I, Zone 2, Group IIC; or non-hazardous locations.

WARNING: EXPOSURE TO SOME CHEMICALS MAY DEGRADE THE SEALING PROPERTIES OF MATERIALS USED IN THE RELAYS.

OR

ATEX approval



According to EN 60079-15 (Electrical apparatus for potentially explosive atmospheres; Type of protection "n") and EN 60079-0 (Electrical apparatus for potentially explosive gas atmospheres - Part 0: General Requirements)



II 3 G Ex nA IIC Tx Gc
DEKRA 12ATEX0038X

OR

IECEx approval



According to IEC 60079-15 (Explosive atmospheres - Part 15: Equipment protection by type of protection "n") and IEC 60079-0 (Explosive atmospheres - Part 0: Equipment - General requirements)



Ex nA IIC Tx Gc
IECEx DEK 13.0011X

RCM Declaration of conformity for Australia/New Zealand



The ET 200SP distributed I/O system fulfills the requirements of the standards

- EN 61000-6-4.

Korea Certificate KCC-REM-S49-ET200SP



Note that this device corresponds to limit class A in terms of the emission of radio frequency interference. This device can be used in all areas, except residential areas.

이 기기는 업무용(A급) 전자파 적합기기로서 판매자 또는 사용자는 이 점을 주의하시기
바라며 가정 외의 지역에서 사용하는 것을 목적으로 합니다.

Marking for the Eurasian Customs Union



EAC (Eurasian Conformity)

Customs Union of Russia, Belarus and Kazakhstan

Declaration of conformity with the technical requirements of the Customs Union (TR CU).

IEC 61131-2

The ET 200SP distributed I/O system meets the requirements and criteria of the standard IEC 61131-2 (Programmable logic controllers, part 2: Equipment requirements and tests).

IEC 61010-2-201

The ET 200SP distributed I/O system fulfills the requirements and criteria of IEC 61010-2-201

(Safety requirements for electrical equipment for measurement, control, and laboratory use Part 2-201: Particular requirements for control equipment).

IEC 60947

The motor starters belonging to the ET 200SP distributed I/O system meet the requirements and criteria of the IEC 60947 standard.

PROFINET standard

The PROFINET interfaces of the ET 200SP distributed I/O system are based on IEC 61158 Type 10.

PROFIBUS standard

The PROFIBUS interfaces of the ET 200SP distributed I/O system are based on IEC 61158 Type 3.

IO-Link standard

The ET 200SP distributed I/O system is based on IEC 61131-9.

Shipbuilding approval

Classification societies:

- ABS (American Bureau of Shipping)
- BV (Bureau Veritas)
- DNV-GL (Det Norske Veritas - Germanischer Lloyd)
- LRS (Lloyds Register of Shipping)
- Class NK (Nippon Kaiji Kyokai)
- KR (Korean Register of Shipping)
- CCS (China Classification Society)
- RINA (Registro Italiano Navale)

Use in industrial environments

The ET 200SP distributed I/O system is suitable for use in industrial environments. It meets the following standards for this type of use:

- Requirements on interference emission EN 61000-6-4: 2007 + A1: 2011
- Requirements on immunity EN 61000-6-2: 2005

Use in mixed areas

Under specific prerequisites you can use the ET 200SP distributed I/O system in a mixed area. A mixed area is used for residential purposes and for commercial operations that do not significantly impact the residential purpose.

If you want to use the ET 200SP distributed I/O system in residential areas, you must ensure that its radio frequency interference emission complies with limit class B in accordance with EN 61000-6-3. Suitable measures for observing these limits for use in a mixed area are, for example:

- Installation of the ET 200SP distributed I/O system in grounded control cabinets
- Use of filters in the supply lines

An additional individual acceptance test is also required.

Use in residential areas

Note

ET 200SP distributed I/O system is not intended for use in residential areas

The ET 200SP distributed I/O system is not intended for use in residential areas. If you are using the ET 200SP distributed I/O system in residential areas, radio and TV reception may be affected.

Reference

The certificates for the markings and approvals can be found on the Internet under Service&Support (<http://www.siemens.com/automation/service&support>).

14.2 Electromagnetic compatibility

Definition

Electromagnetic compatibility (EMC) is the ability of an electrical installation to function satisfactorily in its electromagnetic environment without interfering with that environment.

Among other things, the ET 200SP distributed I/O system also meets the requirements of the EMC legislation for the European single market. The prerequisite is that the ET 200SP distributed I/O system complies with the requirements and guidelines relating to electrical equipment.

EMC in accordance with NE21

The ET 200SP distributed I/O system meets the EMC specifications of the NAMUR recommendation NE21.

Pulse-shaped disturbance variables of the ET 200SP system

The table below shows the electromagnetic compatibility of the ET 200SP distributed I/O system with regard to pulse-shaped disturbance variables.

Table 14- 1 Pulse-shaped disturbance variables

Pulse-shaped disturbance variable	Tested with	Equivalent to severity
Electrostatic discharge in accordance with IEC 61000-4-2	Air discharge ± 8 kV	3
	Contact discharge: ± 6 kV	3
Burst pulses (fast transients) in accordance with IEC 61000-4-4	± 2 kV (power supply line)	3
	± 2 kV (signal line >30 m)	3
	± 1 kV (signal cable <30 m)	
High-energy single pulse (surge) in accordance with IEC 61000-4-5 External protective circuit required (see Function manual Designing interference-free controllers (http://support.automation.siemens.com/WW/view/en/59193566))		3
• Asymmetric coupling	± 2 kV (power supply lines) DC with protective elements ± 2 kV (signal lines/data lines only >30 m) with protective elements if necessary	
• Symmetric coupling	± 1 kV (power supply line) DC with protective elements ± 1 kV (signal line/data line only >30 m) with protective elements if necessary	

Pulse-shaped disturbance variables of motor starters

The following table shows the electromagnetic compatibility of the ET 200SP motor starters with regard to pulse-shaped interference.

Table 14- 2 Pulse-shaped disturbance variables

Pulse-shaped disturbance variable	Tested with	Equivalent to severity
Burst pulses (fast transients) in accordance with IEC 61000-4-4, tested with 5 kHz.	±2 kV (24 V supply cables) ±2 kV (500 V AC infeed*) ±1 kV (signal cable <30 m)	3
If you mount the motor starter to the right of a 15 mm or 20 mm I/O module or immediately next to a head module, use a dummy module. You will find further information in "Selecting motor starters with a suitable BaseUnit (Page 40)."		
High-energy single pulse (surge) in accordance with IEC 61000-4-5	500 V AC infeed ±2 kV conducted interference - phase to ground ±1 kV conducted interference - phase to phase 24 V supply cable: ±1 kV conducted interference - phase to ground **) ±0.5 kV conducted interference - phase to phase **)	3
**) An RC circuit is not required for hybrid switching devices. If higher values (2 kV (phase to ground) or 1 kV (phase to phase) are required, you will need an additional external protective circuit (see Designing interference-free controllers (http://support.automation.siemens.com/WW/view/en/59193566) function manual).		

Sinusoidal disturbance variables

The tables below show the electromagnetic compatibility of the ET 200SP distributed I/O system with regard to sinusoidal disturbance variables.

- RF radiation

Table 14- 3 Sinusoidal disturbance variables with RF radiation

RF radiation according to IEC 61000-4-3/NAMUR 21 Electromagnetic RF field, amplitude-modulated		Corresponds to degree of severity
80 to 1000 MHz; 1.0 to 2.0 GHz	2.0 GHz to 6.0 GHz	3
10 V/m	3 V/m	
80% AM (1 kHz)		

- RF coupling

Table 14- 4 Sinusoidal disturbance variables with RF coupling

RF coupling in accordance with IEC 61000-4-6	Corresponds to degree of severity
(10 kHz) 150 kHz to 80 MHz	3
10 V _{rms} unmodulated	
80% AM (1 kHz)	
150 Ω source impedance	

Emission of radio frequency interference

Interference emission of electromagnetic fields according to EN 55016.

Table 14- 5 Interference emission of electromagnetic fields

Frequency	Interference emission	Measuring distance
30 MHz to 230 MHz	<40 dB (μV/m) Q	10 m
230 MHz to 1000 MHz	<47 dB (μV/m) Q	10 m
1 GHz to 3 GHz	<76 dB (μV/m) P	3 m
3 GHz to 6 GHz	<80 dB (μV/m) P	3 m

Interference emission via the AC power supply according to EN 55016.

Table 14- 6 Interference emission via the AC power supply

Frequency	Interference emission
0.15 MHz to 0.5 MHz	< 79 dB (μV/m)Q
	< 66 dB (μV/m) M
0.5 MHz to 30 MHz	< 73 dB (μV/m)Q
	< 60 dB (μV/m) M

14.3 Electromagnetic compatibility of fail-safe modules

Protecting ET 200SP with fail-safe modules against overvoltages

If your equipment requires protection from overvoltage, we recommend that you use an external protective circuit (surge filter) between the load voltage power supply and the load voltage input of the BaseUnits to ensure surge immunity for the ET 200SP with fail-safe modules.

Note

Overvoltage protection measures always require a case-by-case examination of the entire plant. Almost complete protection from overvoltages, however, can only be achieved if the entire building surroundings have been designed for overvoltage protection. In particular, this involves structural measures in the building design phase.

For detailed information regarding overvoltage protection, we recommend that you contact your Siemens representative or a company specializing in lightning protection.

14.3 Electromagnetic compatibility of fail-safe modules

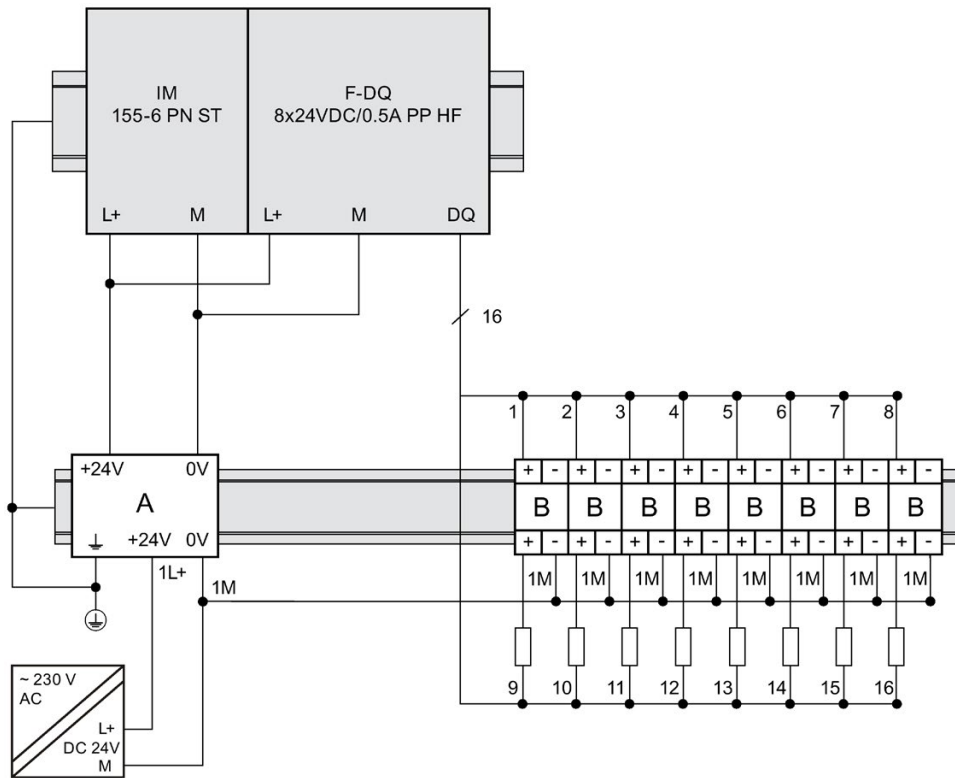


Figure 14-2 External protective circuit (surge filter) for ET 200SP with fail-safe modules

Name	Part number of Dehn Co.
A = BVT AVD 24	918 422
B = DCO RK D 5 24	919 986
C = The external protective circuit required at the outputs of the modules F-PM-E power module load group can be found in the Designing interference-free controllers (http://support.automation.siemens.com/WW/view/en/59193566) function manual.	

Electromagnetic compatibility of fail-safe motor starters

The safety versions of the motor starters are additionally tested according to the requirements of IEC 61000-6-7:2014 (taking into consideration the failure criteria for the STO safety function).

14.4 Shipping and storage conditions

Introduction

The ET 200SP distributed I/O system exceeds requirements in terms of shipping and storage conditions according to IEC 61131-2. The following information applies to modules that are shipped and/or stored in their original packaging.

Table 14- 7 Shipping and storage conditions for modules

Type of condition	Permissible range
Free fall (in shipping package)	≤ 1 m
Temperature	From -40 °C to +70 °C
Barometric pressure	from 1140 to 660 hPa (corresponds to an elevation of -1000 to 3500 m)
Relative humidity	5% to 95%, without condensation
Sinusoidal oscillations according to IEC 60068-2-6	5 - 8.4 Hz: 3.5 mm 8.4 - 500 Hz: 9.8 m/s ²
Impact acc. to IEC 60068-2-27 ¹⁾	250 m/s ² , 6 ms, 1000 shocks

1) Not applicable to motor starters

14.5 Mechanical and climatic environmental conditions

Operating conditions

The ET 200SP distributed I/O system is suitable for use in weather-proof, fixed locations. The operating conditions are based on the requirements of DIN EN 60721-3-3:1995 + A2:1997:

- Class 3M3 (mechanical requirements)
- Class 3K3 (climatic requirements)

You will find the permissible ambient conditions for the motor starter in the Technical data of the motor starter (<https://support.industry.siemens.com/cs/ww/en/ps/21859/td>).

Mechanical environmental conditions

The following table shows the mechanical environmental conditions in the form of sinusoidal vibrations.

Table 14- 8 Mechanical environmental conditions

Frequency band	ET 200SP with IM 155-6 DP HF, BusAdapters BA 2×FC, BA 2×SCRJ, BA SCRJ/FC, BA 2×LC and BA LC/FC	ET 200SP with BusAdapters BA 2×RJ45, BA SCRJ/RJ45 and BA LC/RJ45	ET 200SP with IM 155-6 PN BA	ET 200SP with digital output module F-RQ 1x24VDC/24..230VAC/5A
5 ≤ f ≤ 8.4 Hz	3.5 mm amplitude			
8.4 ≤ f ≤ 150 Hz	1 g constant acceleration			
10 ≤ f ≤ 60 Hz	0.35 mm amplitude	---	---	---
60 ≤ f ≤ 1000 Hz	5 g constant acceleration	---	---	---

Tests of mechanical environmental conditions

The following table provides important information with respect to the type and scope of the tests of environmental mechanical conditions.

Table 14- 9 Tests of mechanical environmental conditions

Condition tested	Test standard	Comment
Vibrations ²⁾	Vibration test according to IEC 60068-2-6 (sinusoidal)	Type of vibration: Frequency sweeps with a rate of change of 1 octave/minute. BA 2×RJ45, BA SCRJ/RJ45, BA LC/RJ45, IM 155-6 PN BA, digital output module F-RQ 1x24VDC/24..230VAC/5A <ul style="list-style-type: none"> • 5 Hz ≤ f ≤ 8.4 Hz, 3.5 mm constant amplitude • 8.4 Hz ≤ f ≤ 150 Hz, 1 g constant acceleration IM 155-6 DP HF, BA 2×FC, BA 2×SCRJ, BA SCRJ/FC, BA 2×LC, BA LC/FC <ul style="list-style-type: none"> • 10 Hz ≤ f ≤ 60 Hz, 0.35 mm constant amplitude • 60 Hz ≤ f ≤ 1000 Hz, 5 g constant acceleration Duration of vibration: 10 frequency sweeps per axis at each of three vertically aligned axes
Shock ²⁾	Shock, tested according to IEC 60068-2-27	Type of shock: Half-sine Shock intensity: 150 m/s ² peak value, 11 ms duration Direction of shock: 3 shocks in each direction (+/-) at each of three vertically aligned axes
Repetitive shock ^{1) 2)}	Shock, tested according to IEC 60068-2-27	Type of shock: Half-sine Shock intensity: 25 g peak value, 6 ms duration Direction of shock: 1000 shocks in each direction (+/-) at each of three vertically aligned axes

1) Not applicable in the case of the digital output module F-RQ 1x24VDC/24..230VAC/5A

2) Not applicable for motor starters

Climatic environmental conditions

The table below shows the permissible climatic environmental conditions for the ET 200SP distributed I/O system:

Table 14- 10 Climatic environmental conditions

Environmental conditions	Permissible range	Comments
Temperature: horiz. mounting position: vertical mounting position:	-30 °C to 60 °C -30 °C to 50 °C	The lower permissible ambient temperature was extended for the ET 200SP system to -30 °C. Differences may exist for specific modules and depending on the mounting position and, if applicable, load. Detailed information on this is described in the technical specifications of the respective equipment manual. The product data sheets with daily updated technical specifications can be found on the Internet (https://support.industry.siemens.com/cs/ww/en/ps/td) at Industry Online Support. Enter the article number or the short description of the desired module on the website.
Permitted temperature change	10 K/h	-
Relative humidity	from 10 to 95%	Without condensation or icing.
Barometric pressure	from 1140 to 795 hPa	Corresponds to an altitude of -1000 to 2000 m. Note the following section "Using the distributed IO system ET 200SP over 2000 m above sea level".
Pollutant concentration	ANSI/ISA-71.04 severity level G1; G2; G3	-

SIPLUS products based on ET 200SP are offered for reliable operation under heavy to extreme operating conditions.

Using the distributed IO system ET 200SP over 2000 m above sea level

The maximum "operating height above sea level" depends on the module and is described in the technical specifications of the respective module. The product data sheets with daily updated technical specifications can be found on the Internet (<https://support.industry.siemens.com/cs/ww/en/ps/td>) at Industry Online Support. Enter the article number or the short description of the desired module on the website.

For altitudes > 2000 m, the following constraints apply to the maximum specified ambient temperature:

Restrictions of the specified maximum ambient temperature in reference to the installation altitude

Installation altitude	Derating factor for ambient temperature ¹⁾
-1000 m to 2000 m	1.0
2000 m to 3000 m	0.9
3000 m to 4000 m	0.8
4000 m to 5000 m	0.7

¹⁾ Base value for application of the derating factor is the maximum permissible ambient temperature in °C for 2000 m.

Note

- Linear interpolation between altitudes is permissible.
- The derating factors compensate for the decreasing cooling effect of air at higher altitudes due to lower density.
- Note the mounting position of the respective module in the technical specifications. The basis is the standard IEC 61131-2:2017.
- Make sure that the power supplies you use are rated for altitudes > 2000 m.

Effects on the availability of modules

The higher cosmic radiation present during operation at altitudes above 2000 m will also start to have an effect on the failure rate of electronic components (the so-called soft error rate). In rare cases this can result in a transition of modules to the safe state, especially for fail-safe modules. However, the functional safety of the modules is fully retained.

Note

Fail-safe modules are certified for operation in safety mode up to the maximum altitude listed in the product data sheet.

All other markings and certifications are currently based on an altitude of up to 2000 m.

14.6 Insulation, protection class, degree of protection and rated voltage

Information on PFDavg, PFH values for ET 200SP F

PFDavg and PFH values for F-CPU's at operating altitudes up to 5,000 m. Below you will find the probability of failure values (PFDavg and PFH values) for the F-CPU's with a service life of 20 years and with a repair time of 100 hours:

Operation in low demand mode in accordance with IEC 61508:2010: PFDavg = Average probability of a dangerous failure on demand	Operation in high demand or continuous mode in accordance with IEC 61508:2010: PFH = Average frequency of a dangerous failure [h-1]
< 2E-05	< 1E-09

Note

For fail-safe I/O modules, the respective specifications for the PFDavg and PFH values in the product data sheets apply.

14.6 Insulation, protection class, degree of protection and rated voltage

Insulation

The insulation for the I/O modules is dimensioned according to the requirements of EN 61131-2:2007 and EN 61010-2-201: The insulation for the motor starters is designed in accordance with the requirements of IEC 60947-1.

Note

In the case of modules with 24 V DC (SELV/PELV) supply voltage, galvanic isolations are tested with 707 V DC (type test).

Pollution degree/overvoltage category in accordance with IEC 61131 and IEC 61010-2-201

- Pollution degree 2
- Overvoltage category: II

Pollution degree/overvoltage category according to IEC 60947

- Pollution degree 2
- Overvoltage category: III

Protection class according to IEC 61131-2:2007 and IEC 61010-2-201

The ET 200SP distributed I/O system meets protection class I and includes parts of protection classes II and III.

The grounding of the mounting rail must meet the requirements for a functional earth FE.

Recommendation: For an interference-proof installation, the ground conductor should have a cross-section > 6 mm².

The installation location (e.g. enclosure, control cabinet) must have a protective conductor connection that meets the standard to maintain protection class I.

Degree of protection IP20

Degree of protection IP20 according to IEC 60529 for all modules of the ET 200SP distributed I/O system, which means:

- Protection against contact with standard probes
- Protection against foreign objects with diameters in excess of 12.5 mm
- No protection against water

Note

Use a BU cover

To meet the requirements of the degree of protection "IP20", fit a BU cover onto unfitted BaseUnits.

To ensure touch safety, fit a cover onto the opening of the infeed bus contacts belonging to the last plugged-in motor starter BaseUnit.

Rated voltage for operation

The ET 200SP distributed I/O system works with the rated voltage and corresponding tolerances listed in the following table.

Note the supply voltage of each module when selecting the rated voltage.

Table 14- 11 Rated voltage for operation

Rated voltage	Tolerance range
24 V DC	19.2 to 28.8 V DC ¹⁾
	18.5 to 30.2 V DC ²⁾
120 V AC	93 to 132 V AC
230 V AC	187 to 264 V AC
400 V AC ³⁾	48 to 500 V AC

¹⁾ Static value: Generation as protective extra low voltage with safe electrical separation in accordance with IEC 61131-2 or IEC 61010-2-201.

²⁾ Dynamic value: Including ripple, e.g. as in the case of three-phase bridge power rectification

³⁾ Valid for the infeed bus of the modules and BaseUnits of motor starters only

14.7 Use of the ET 200SP in zone 2 potentially explosive atmospheres

See product information "Use of subassemblies/modules in Zone 2 Hazardous Area" (<http://support.automation.siemens.com/WW/view/en/19692172>).

Note

Zone 22: Observe standards and regulations, and individual acceptance test required

If you install, use and maintain the ET 200SP in hazardous area Zone 22, you must comply with the relevant standards, installation/setup regulations and country-specific regulations for Zone 22 (for example, the ET 200SP must be installed in an enclosure suitable for Zone 22). A individual acceptance test by a certification body (Ex) is also required.

Dimension drawings

A.1 Shield connector

Dimensional diagram of the shield connector

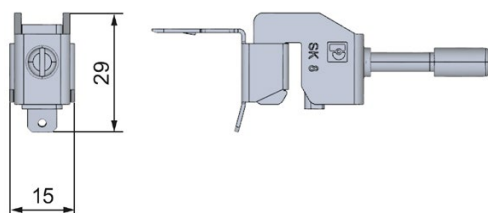


Figure A-1 Dimensional diagram of the shield connector

A.2 Labeling strip

Dimension drawing of the labeling strips (roll)

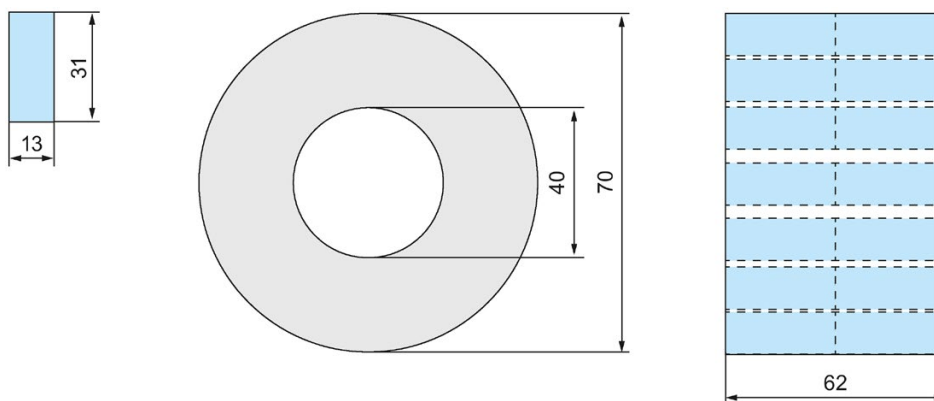


Figure A-2 Dimension drawing of the labeling strips (roll)

Dimension drawing of the labeling strips (DIN A4 sheet)

The product information for the labeling strips (DIN A4 sheets) is available for download on the Internet (<https://mall.industry.siemens.com/mall/en/de/Catalog/Product/6ES7193-6LA10-0AA0>).

A.3 Reference identification labels

Dimensional diagram of reference identification label and sheet

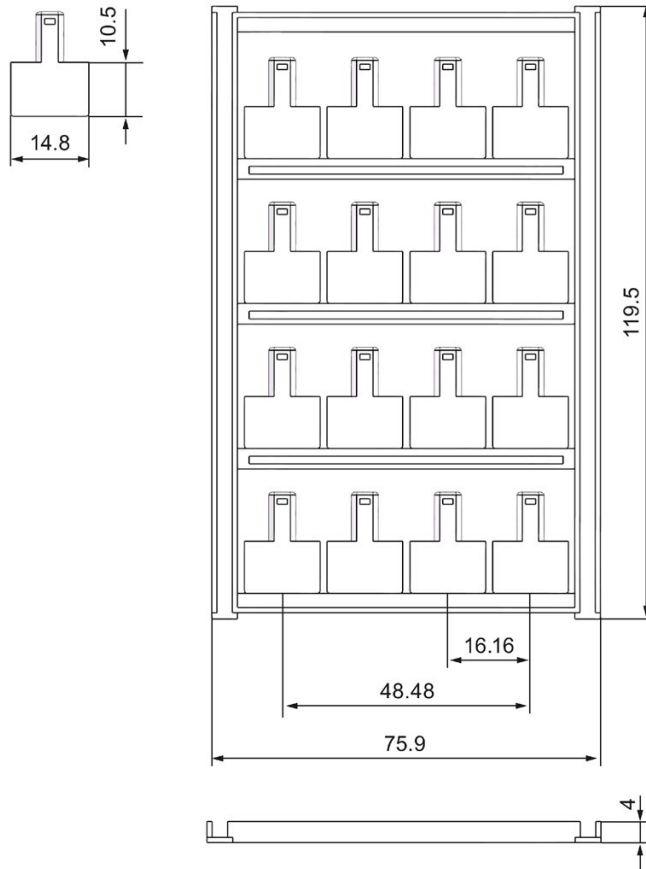


Figure A-3 Dimensional diagram of reference identification label and sheet

Accessories/spare parts

Accessories for the ET 200SP distributed I/O system

Table B- 1 Accessories, general

Accessories, general	Packing unit	Article number
Cover for the BusAdapter interface	5 units	6ES7591-3AA00-0AA0
PROFIBUS FastConnect bus connector	1 unit	6ES7972-0BB70-0XA0
Server module (spare part)	1 unit	6ES7193-6PA00-0AA0
BU cover		
• 15 mm wide	5 units	6ES7133-6CV15-1AM0
• 20 mm wide	5 units	6ES7133-6CV20-1AM0
24 V DC connector (spare part)	10 units	6ES7193-4JB00-0AA0
Shield connection for BaseUnit (shield contacts and shield terminals)	5 units	6ES7193-6SC00-1AM0
Reference identification label, sheet with 16 labels	10 units	6ES7193-6LF30-0AW0
Labeling strips (for labeling the I/O modules)		
• Roll, light gray labeling strips (with a total of 500 strips), film, for labeling with thermal transfer roll printer	1 unit	6ES7193-6LR10-0AA0
• Roll, yellow labeling strips (with a total of 500 strips), film, for labeling with thermal transfer roll printer	1 unit	6ES7193-6LR10-0AG0
• DIN A4 sheets, light gray labeling strips (with a total of 1000 labels), paper, perforated, for labeling with laser printer	10 units	6ES7193-6LA10-0AA0
• DIN A4 sheets, yellow labeling strips (with a total of 1000 labels), paper, perforated, for labeling with laser printer	10 units	6ES7193-6LA10-0AG0
Electronic coding element (type H) (spare part)	5 units	6ES7193-6EH00-1AA0
Electronic coding element (type F, for fail-safe modules) (spare part)	5 units	6ES7193-6EF00-1AA0
Mounting rails, tinned steel strip		
• Length: 483 mm	1 unit	6ES5710-8MA11
• Length: 530 mm	1 unit	6ES5710-8MA21
• Length: 830 mm	1 unit	6ES5710-8MA31
• Length: 2000 mm	1 unit	6ES5710-8MA41

Table B- 2 Accessories, color identification labels (push-in terminals), 15 mm wide

Accessories, color identification labels (push-in terminals), 15 mm wide	Packing unit	Article number
16 process terminals (see I/O module manual)		
• Gray (terminals 1 to 16); color code CC00	10 units	6ES7193-6CP00-2MA0
• Gray (terminals 1 to 8), red (terminals 9 to 16); color code CC01	10 units	6ES7193-6CP01-2MA0
• Gray (terminals 1 to 8), red (terminals 9 to 16); color code CC01	50 units	6ES7193-6CP01-4MA0
• Gray (terminals 1 to 8), blue (terminals 9 to 16); color code CC02	10 units	6ES7193-6CP02-2MA0
• Gray (terminals 1 to 8), blue (terminals 9 to 16); color code CC02	50 units	6ES7193-6CP02-4MA0
• Gray (terminals 1 to 8), red (terminals 9 to 12), gray (terminals 13 to 16); color code CC03	10 units	6ES7193-6CP03-2MA0
• Gray (terminals 1 to 8), red (terminals 9 to 12), blue (terminals 13 to 16); color code CC04	10 units	6ES7193-6CP04-2MA0
• Gray (terminals 1 to 12), red (terminals 13 and 14), blue (terminals 15 and 16)	10 units	6ES7193-6CP05-2MA0
10 AUX terminals (for BU15-P16+A10+2D, BU15-P16+A10+2B)		
• Yellow-green (terminals 1 A to 10 A); color code CC71	10 units	6ES7193-6CP71-2AA0
• Red (terminals 1 A to 10 A); color code CC72	10 units	6ES7193-6CP72-2AA0
• Blue (terminals 1 A to 10 A); color code CC73	10 units	6ES7193-6CP73-2AA0
• Blue (terminals 1 A to 10 A); color code CC73	50 units	6ES7193-6CP73-4AA0
10 add-on terminals (for BU15-P16+A0+12D/T, BU15-P16+A0+12B/T)		
• Red (terminals 1B to 5B), blue (terminals 1 to 5C); color code CC74	10 units	6ES7193-6CP74-2AA0
16 potential terminals (for PotDis-BU-P1/x-R)		
• Red (terminals 1 to 16); color code CC62	10 units	6ES7193-6CP62-2MA0
16 potential terminals (for PotDis-BU-P2/x-B)		
• Blue (terminals 1 to 16); color code CC63	10 units	6ES7193-6CP63-2MA0
18 potential terminals (for PotDis-TB-P1-R)		
• Red (terminals 1 to 18); color code CC12	10 units	6ES7193-6CP12-2MT0
• Gray (terminals 1 to 18); color code CC10	10 units	6ES7193-6CP10-2MT0
18 potential terminals (for PotDis-TB-P2-B)		
• Blue (terminals 1 to 18); color code CC13	10 units	6ES7193-6CP13-2MT0
• Gray (terminals 1 to 18); color code CC10	10 units	6ES7193-6CP10-2MT0
18 potential terminals (for PotDis-TB-BR-W)		
• Yellow/green (terminals 1 to 18); color code CC11	10 units	6ES7193-6CP11-2MT0
• Red (terminals 1 to 18); color code CC12	10 units	6ES7193-6CP12-2MT0
• Blue (terminals 1 to 18); color code CC13	10 units	6ES7193-6CP13-2MT0
• Gray (terminals 1 to 18); color code CC10	10 units	6ES7193-6CP10-2MT0
18 potential terminals (for PotDis-TB-n.c.-G)		
• Gray (terminals 1 to 18); color code CC10	10 units	6ES7193-6CP10-2MT0

Table B- 3 Accessories, color identification labels (push-in terminals), 20 mm wide

Accessories, color identification labels (push-in terminals), 20 mm wide	Packing unit	Article number
12 process terminals (see I/O module manual)		
<ul style="list-style-type: none"> Gray (terminals 1 to 4), red (terminals 5 to 8), blue (terminals 9 to 12); color code CC41 	10 units	6ES7193-6CP41-2MB0
<ul style="list-style-type: none"> Gray (terminals 1 to 8), red (terminals 9 and 10), blue (terminals 11 and 12), color code CC42 	10 units	6ES7193-6CP42-2MB0
6 process terminals (see I/O module manual)		
<ul style="list-style-type: none"> Gray (terminals 1 to 4), red (terminal 5), blue (terminal 6); color code CC51 	10 units	6ES7193-6CP51-2MC0
<ul style="list-style-type: none"> Gray (terminals 1, 2 and 5), red (terminals 3 and 4), blue (terminal 6); color code CC52 	10 units	6ES7193-6CP52-2MC0
4 AUX terminals (for BU20-P12+A4+0B)		
<ul style="list-style-type: none"> Yellow-green (terminals 1 A to 4 A); color code CC81 	10 units	6ES7193-6CP81-2AB0
<ul style="list-style-type: none"> Red (terminals 1 A to 4 A); color code CC82 	10 units	6ES7193-6CP82-2AB0
<ul style="list-style-type: none"> Blue (terminals 1 A to 4 A); color code CC83 	10 units	6ES7193-6CP83-2AB0
2 AUX terminals (for BU20-P6+A2+4D, BU20-P6+A2+4B)		
<ul style="list-style-type: none"> Yellow-green (terminals 1 A and 2 A); color code CC84 	10 units	6ES7193-6CP84-2AC0
<ul style="list-style-type: none"> Red (terminals 1 A and 2 A); color code CC85 	10 units	6ES7193-6CP85-2AC0
<ul style="list-style-type: none"> Blue (terminals 1 A and 2 A); color code CC86 	10 units	6ES7193-6CP86-2AC0

Table B- 4 SIMATIC memory card accessories

Capacity	Packing unit	Article number
4 MB	1 unit	6ES7954-8LCxx-0AA0
12 MB	1 unit	6ES7954-8LExx-0AA0
24 MB	1 unit	6ES7954-8LFxx-0AA0
256 MB	1 unit	6ES7954-8LL02-0AA0
2 GB	1 unit	6ES7954-8LPxx-0AA0
32 GB	1 unit	6ES7954-8LTxx-0AA0

Table B- 5 Accessories for motor starters

Short designation	Packing unit	Article number
3DI/LC module (connecting terminal)	1 unit	3RK1908-1AA00-0BP0
Fan	1 unit	3RW4928-8VB00
BU cover 30	1 unit	3RK1908-1CA00-0BP0
Touch protection cover for the infeed bus	10 units	3RK1908-1DA00-2BP0
Mechanical bracket for BaseUnit	5 units	3RK1908-1EA00-1BP0

Components for lightning protection (lightning protection zone transition 0_B to 1, 1 to 2 and 2 to 3)

You must install overvoltage protection devices in the ET 200SP distributed I/O system for lightning protection purposes. You can find more information in the Designing interference-free controllers (<http://support.automation.siemens.com/WW/view/en/59193566>) function manual.

Online catalog

Additional article numbers for ET 200SP can be found on the Internet (<http://mall.industry.siemens.com>) in the online catalog and online ordering system.

See also

Firmware update (Page 242)

B.1 Lightning protection and overvoltage protection for fail-safe modules

Overvoltage arrestors for fail-safe modules

Note

This section only lists the overvoltage arrestors that may be used to protect the fail-safe modules.

Be sure to observe the detailed information on lightning protection and overvoltage protection of the ET 200SP distributed I/O system in Electromagnetic compatibility of fail-safe modules (Page 278).

Components for overvoltage protection of fail-safe modules (lightning protection zone transition 0_B to 1)

The overvoltage arrestors are only required for unshielded cables. The Configuring interference-free controllers (<http://support.automation.siemens.com/WW/view/en/59193566>) Function Manual lists the overvoltage arrestors which you may use for fail-safe modules.

Calculating the leakage resistance

Introduction

If you wish to protect the ET 200SP using a ground-fault detector or a residual current circuit breaker, then you need the leakage resistance to select the correct safety components.

Ohmic resistance

When determining the leakage resistance of the ET 200SP, you must take into account the ohmic resistance from the RC combination of the module in question:

Table C- 1 Ohmic resistance

Module	Ohmic resistance from RC network
CPU/interface module	10 MΩ (±5 %)
BaseUnit BU15...D	10 MΩ (±5 %)
BaseUnit BU30-MSx	10 MΩ (±5 %)

Formula

You can calculate the leakage resistance of the ET 200SP using the following formula if you protect all of the modules listed above with one ground-fault detector:

$$R_{ET200SP} = R_{module} / N$$

$R_{ET200SP}$ = Leakage resistance of the ET 200SP
 R_{module} = Leakage resistance of a module
 N = Number of BaseUnits BU15...D and interface module in the ET 200SP
 $R_{CPU/IM}$ = $R_{BU15...D} = R_{Module} = 9.5 \text{ M}\Omega$
 $R_{CPU/IM}$ = Leakage resistance of CP/interface module
 $R_{BU15...D}$ = Leakage resistance of the BaseUnit BU15...D

If you protect the modules listed above within an ET 200SP with several ground-fault detectors, you must determine the leakage resistance for each individual ground-fault detector.

Example

The structure of an ET 200SP system consists of an IM 155-6 PN ST, two BaseUnits BU15...D and various input and output modules. The entire ET 200SP is protected with **one** ground-fault detector:










$$R_{\text{ET 200SP}} = \frac{9.5 \text{ M}\Omega}{3} = 3.17 \text{ M}\Omega$$

Figure C-1 Calculation example for leakage resistance

Safety-relevant symbols





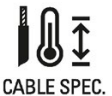





D.1 Safety-related symbols for devices without Ex protection



The following table contains an explanation of the symbols located in your SIMATIC device, its packaging or the accompanying documentation.

Symbol	Meaning
	General warning sign Caution/Notice You must read the product documentation. The product documentation contains information about the potential risks and enable you to recognize risks and implement countermeasures.
	Read the information provided by the product documentation. ISO 7010 M002
	Ensure the device is only installed by electrically skilled person. IEC 60417 No. 6182
 CABLE SPEC.	Note that connected mains lines must be designed according to the expected minimum and maximum ambient temperature.
 EMC	Note that the device must be constructed and connected in accordance with EMC regulations.
 230V MODULES	Note that a 230 V device can be exposed to electrical voltages which can be dangerous. ANSI Z535.2
 24V MODULES	Note that a device of Protection Class III may only be supplied with a protective low voltage according to the standard SELV/PELV. IEC 60417-1-5180 "Class III equipment"
 INDOOR USE ONLY INDUSTRIAL USE ONLY	Be aware that the device is only approved for the industrial field and only for indoor use.
	Note that an enclosure is required for installing the device. Enclosures are considered: <ul style="list-style-type: none"> • Standing control cabinet • Serial control cabinet • Terminal boxes • Wall enclosure

D.2 Safety-related symbols for devices with Ex protection

The following table contains an explanation of the symbols located in your SIMATIC device, its packaging or the accompanying documentation.

Symbol	Meaning
	<p>The assigned safety symbols apply to devices with Ex approval.</p> <p>You must read the product documentation. The product documentation contains information about the potential risks and enable you to recognize risks and implement countermeasures.</p>
	<p>Read the information provided by the product documentation.</p> <p>ISO 7010 M002</p>
	<p>Ensure the device is only installed by electrically skilled person.</p> <p>IEC 60417 No. 6182</p>
	<p>Observe the mechanical rating of the device.</p>
	<p>Note that connected mains lines must be designed according to the expected minimum and maximum ambient temperature.</p>
	<p>Note that the device must be constructed and connected in accordance with EMC regulations.</p>
	<p>When the device is under voltage, note that it may not be installed or removed, or plugged or pulled.</p>
	<p>Note that a 230 V device can be exposed to electrical voltages which can be dangerous.</p> <p>ANSI Z535.2</p>
	<p>Note that a device of Protection Class III may only be supplied with a protective low voltage according to the standard SELV/PELV.</p> <p>IEC 60417-1-5180 "Class III equipment"</p>
	<p>Be aware that the device is only approved for the industrial field and only for indoor use.</p>

Symbol	Meaning
 ZONE 2 INSIDE CABINET IP54 EN60079-15	For Zone 2 potentially explosive atmospheres, be aware that the device may only be used when it is installed in an enclosure with a degree of protection \geq IP54.
 ZONE 22 INSIDE CABINET IP6x EN60079-31	For Zone 22 potentially explosive atmospheres, be aware that the device may only be used when it is installed in an enclosure with a degree of protection \geq IP6x.

Glossary

1oo1 evaluation

Type of → sensor evaluation – in the case of the 1oo1 evaluation, there → is one sensor with a 1-channel connection to the F module.

1oo2 evaluation

Type of → sensor evaluation – in the case of 1oo2 evaluation , two input channels are assigned one two-channel sensor or two one-channel sensors. The input signals are compared internally for equivalence or nonequivalence.

Acknowledgment time

During the acknowledgment time, the → F-I/O acknowledge the sign of life specified by the → F-CPU. The acknowledgment time is included in the calculation of the → monitoring time and → response time of the overall fail-safe system.

Actuator

Actuators are, for example, power relays or contactors for switching on load devices or load devices themselves (e.g. directly controlled solenoid valves).

Automation system

Programmable logic controller for the open-loop and closed-loop control of process sequences of the process engineering industry and manufacturing technology. The automation system consists of different components and integrated system functions depending on the automation task.

AUX bus

Self-assembling bus, can be used individually, for example, as a protective conductor bus or for additional required voltage. Observe the corresponding information/warnings in the ET 200SP system manual.

Availability

Availability is the probability that a system is functional at a specific point in time. Availability can be increased by redundancy, e.g., by using multiple → sensors at the same measuring point.

AWG (American Wire Gauge)

A standard measure for conductors used in the USA, which is assigned to a specific cross-sectional area of a conductor or wire. Each AWG number represents a jump of 26% in the cross-sectional area. The thicker the wire, the smaller the AWG number.

BaseUnit

BaseUnits realize the electrical and mechanical connection of the I/O modules with the interface module and the server module.

The inserted I/O module determines the signals at the terminals of the BaseUnits. Depending on the selected BaseUnit, only certain terminals are available.

BaseUnit, dark-colored

Conduction of the internal power and AUX buses from the left adjacent module to the subsequent modules on the right.

BaseUnit, light-colored

Inserted as first BaseUnit and opens a new potential group with electrical isolation. The power and AUX buses are separate from the adjacent module on the left. It feeds the supply voltage.

Baud rate

Speed at which data is transferred, indicating the number of transmitted bits per second (baud rate = bit rate).

BU cover

Cover for unused slots on the BaseUnit or placeholder for planned I/O modules. For a future expansion, the reference identification label of the planned I/O module can be kept here.

Bus

Joint transmission path to which all participants of a fieldbus system are connected; has two defined ends.

BusAdapter

Enables free selection of the connection technology for the PROFINET fieldbus.

Channel fault

Channel-specific fault, such as a wire break or short circuit.

In channel-specific passivation, the affected channel is either automatically reintegrated or the fail-safe module must be removed and reinserted after the fault has been eliminated.

Channel group

The channels of a module are grouped together in a channel group. Certain parameters in STEP 7 can only be assigned to channel groups, rather than to individual channels.

Channel number

Channel numbers are used to uniquely identify the inputs and outputs of a module and to assign channel-specific diagnostic messages.

Channel-specific passivation

With this type of passivation, only the affected channel is passivated in the event of a → channel fault. In the event of a → module fault, all channels of the → fail-safe module are passivated.

Configuration

Systematic arrangement of the individual modules.

Configuration control

Function that enables a flexible adjustment of the actual configuration based on a configured maximum configuration via the user program. Input, output and diagnostics addresses remain unchanged.

Connecting to common potential

Configuring a new potential group for which a new infeed is set up for the supply voltage.

Connection plug

Physical connection between device and cable.

CPU

The CPU uses the integrated system power supply to supply the electronics of the modules via the backplane bus. The CPU contains the operating system and executes the user program. The user program is located on the SIMATIC memory card and is processed in the work memory of the CPU. The PROFINET interfaces of the CPU establish an Industrial Ethernet connection. The CPUs of the ET 200SP support operation as an IO controller, I-device or standalone CPU.

CRC

Cyclic Redundancy Check

CRC signature

The validity of the process values in the safety frame, the accuracy of the assigned address references, and the safety-related parameters are validated by means of the CRC signature in the safety frame.

Crimping

Procedure in which two components, e.g. end sleeve and cable, are connected with each other by plastic strain.

Dark period

Dark periods occur during shutdown tests and complete bit pattern tests. The fail-safe output module switches test-related zero signals to the active output. This output is then briefly disabled (= dark period). An adequate carrier → actuator will not respond to this and will remain activated.

Derating

Derating allows devices to be used even in harsh operating conditions by selectively restricting the output capacity. In the case of motor starters, this usually refers to operation at high ambient temperatures.

Device name

Before an IO device can be addressed by an IO controller, it must have a device name. An IO device is delivered without a device name. An IO device can only be addressed by the IO controller after it has been assigned a device name via the PG/PC or via the topology, e.g. for the transfer of configuration data (such as IP address) during startup or for the exchange of user data during cyclic operation.

Diagnostics

Monitoring functions for the recognition, localization, classification, display and further evaluation of errors, faults and alarms. They run automatically during plant operation. This increases the availability of plants because commissioning times and downtimes are reduced.

Discrepancy analysis

The discrepancy analysis for equivalence/non-equivalence is used for fail-safe applications to prevent errors from time differences between two signals for the same function. The discrepancy analysis is initiated when different levels are detected in two associated input signals (when testing for non-equivalence: the same levels). A check is performed to determine whether the difference (for nonequivalence testing: the same levels) has disappeared after an assignable time period, the so-called discrepancy time. If not, this means that a discrepancy error exists.

The discrepancy analysis compares the two input signals of the 1oo2 sensor evaluation in the fail-safe input module.

Discrepancy time

Configurable time for the → discrepancy analysis. If the discrepancy time is set too high, the fault detection time and → fault reaction time are extended unnecessarily. If the discrepancy time is set too low, availability is decreased unnecessarily since a discrepancy error is detected when, in reality, no error exists.

Distributed I/O system

System with input and output modules that are configured on a distributed basis, far away from the CPU controlling them.

DP

→ *Distributed I/O system*

Earth

Conductive earth whose electrical potential can be set equal to zero at any point.

Equipotential bonding

Electrical connection (potential equalization conductor) that brings the bodies of electrical equipment and other conductive bodies to the same or almost the same potential, in order to prevent disruptive or dangerous voltages between these bodies.

Fail-safe modules

ET 200SP modules with integrated safety functions that can be used for safety-related operation (safety mode).

Fail-safe systems

Fail-safe systems (F-systems) remain in a safe state or immediately assume another safe state as soon as particular failures occur.

Fault reaction time

The maximum fault reaction time of an F-system defines the interval between the occurrence of any fault and a safe reaction at all affected fail-safe outputs.

For → F-system overall: The maximum fault reaction time defines the interval between the occurrence of any fault in any → F-I/O and a safe response at the relevant fail-safe output.

For digital inputs: The maximum fault reaction time defines the interval between the occurrence of the fault and the safe reaction on the backplane bus.

For digital outputs: The maximum fault reaction time defines the interval between the occurrence of the fault and the safe reaction at the digital output.

Fault tolerance time

The fault tolerance time of a process is the time a process can be left unattended without risk to life and limb of the operating personnel, or damage to the environment.

Any type of F-system control is tolerated within this fault tolerance time, i.e. the → F-system can control its processes incorrectly or even not at all. The fault tolerance time depends on the type of process and must be determined on a case-by-case basis.

F-CPU

An F-CPU is a central processing unit with fail-safe capability that is permitted for use in SIMATIC Safety. A standard user program can also be run on the F-CPU.

F-I/O

Collective name for fail-safe inputs and outputs available in SIMATIC S7 for integration into the SIMATIC Safety F-system. Available F-I/O modules:

- Fail-safe I/O module for ET 200eco
- Fail-safe signal modules S7-300 (F-SMs)
- Fail-safe modules for ET 200S
- Fail-safe modules for ET 200SP
- Fail-safe modules for ET 200MP
- Fail-safe DP standard slaves
- Fail-safe PA field devices
- Fail-safe IO devices

Firmware update

Upgrade of firmware for modules (interface modules, I/O modules etc.), e.g. after function extensions, to the newest firmware version (update).

F-monitoring time

→ PROFIsafe monitoring time

F-Systems

→ fail-safe systems

Functional ground

Functional ground is a low-impedance current path between electric circuits and ground. It is not designed as a safety measure but instead, for example, as a measure to improve interference immunity.

Ground

All interconnected, inactive parts of a piece of equipment that cannot accept any dangerous contact voltage, even in the event of a fault.

Grounding

Grounding means connecting an electrically conductive part to a grounding electrode by means of a grounding system.

GSD file

As a Generic Station Description, this file contains all properties of a PROFINET or PROFIBUS device that are necessary for its configuration in XML format.

I/O modules

All modules, with the exception of the motor starters, that can be operated with a CPU or an interface module.

Identification data

Information that is saved in modules and that supports the user in checking the plant configuration and locating hardware changes.

Infeed system

The infeed system with the terminals L1(L), L2(N), L3, PE enables several SIMATIC ET 200SP motor starters to be supplied using a single infeed terminal.

Interface module

Module in the distributed I/O system. The interface module connects the distributed I/O system via a fieldbus to the CPU (IO controller) and prepares the data for and from I/O modules.

IO-Link

IO-Link is a point-to-point connection to conventional and intelligent sensors/actuators by unshielded standard cables in proven 3-wire technology. IO-Link is downward compatible to all DI/DQ sensors/actuators. Switching status channel and data channel are designed in proven 24 V DC technology.

Line

All the modules attached to a mounting rail.

Load current supply

Supply of modules like the interface module, power supply modules, I/O modules, and (if applicable) sensors and actuators.

MAC address

Device identification unique worldwide, which is already assigned to each PROFINET device in the factory. Its 6 bytes are divided into 3 bytes for the manufacturer ID and 3 bytes for the device ID (serial number). The MAC address is usually legible on the device.

Main switch

Every industrial machine that falls under the scope of DIN EN 60204 Part 1 (VDE 0113, Part 1) must be equipped with a main switch that disconnects all electrical equipment from the network while cleaning, maintenance, and repair work is being carried out, as well as during long periods of downtime. Usually a switch which can be operated by hand that is stipulated for electrical or mechanical prevention of a hazard. The main switch can also function as an EMERGENCY-OFF device.

The main switch must meet the following requirements:

- Externally accessible mechanical rotary lock.
- Only one OFF position and one ON position with allocated stops.
- Two positions labeled "0" and "I". 4th lockable OFF position.
- Cover for the power supply terminals to protect against accidental contact.
- The switching capacity must correspond to AC-23 for motor switches and AC-22 for load-break switches (utilization category).
- Switch position displayed automatically.

Module fault

Module faults can be external faults (e.g. missing load voltage) or internal faults (e.g. processor failure). Internal faults always require module replacement.

Monitoring time

→ PROFIsafe monitoring time

Motor starter

Motor starter is the generic term for direct-on-line and reversing starters.

M-switch

Each fail-safe digital output of ET 200SP F-modules consists of a P-switch DO-P_x (current sourcing) and an M-switch DO-M_x (current sinking). The load is connected between the P-switch and M-switch. The two switches are always activated so that voltage is applied to the load.

Node

Device that can send, receive or amplify data via the bus, e.g. IO device via PROFINET IO.

Nonequivalent sensor

A nonequivalent → sensor is a two-way switch that is connected to two inputs of an → F-I/O (via 2 channels) in → fail-safe systems (for → 1oo2 evaluation of sensor signals).

Overload release

Overcurrent release that provides protection against overload.

Parameter assignment

Parameter assignment is the transfer of parameters from the IO controller/DP master to the IO device/DP slave.

Passivation

If an → F-I/O module detects a fault it switches either the affected channel or all channels to a → safe state, i.e. the channels of this F-I/O module are passivated. The F-I/O module signals the detected faults to the → F-CPU.

When passivating channels at F-I/O with inputs, the → F-System provides fail-safe values for the → safety program instead of the process values pending at the fail-safe inputs.

When passivating channels at F-I/O with outputs, the F-system returns fail-safe values (0) to the fail-safe outputs instead of the output values provided by the safety program.

PELV

Protective Extra Low Voltage

Performance Level

Performance Level (PL) in accordance with ISO 13849-1 or EN ISO 13849-1

Potential group

Group of I/O modules that are jointly supplied with voltage.

Prewiring

Wiring the electrics on a mounting rail before the I/O modules are connected.

Process image (I/O)

The CPU transfers the values from the input and output modules to this memory area. At the start of the cyclic program, the signal states of the input modules are transmitted to the process image input. At the end of the cyclic program, the process image output is transmitted as signal state to the output modules.

Product version (ES) = Functional status (FS)

The product version or functional status provides information on the hardware version of the module.

PROFIBUS

PROcess Field BUS, process and fieldbus standard that is specified in IEC 61158 Type 3. It specifies functional, electrical and mechanical properties for a bit-serial fieldbus system. PROFIBUS is available with the following protocols: DP (= Distributed Periphery), FMS (= Fieldbus Message Specification), PA (= Process Automation) or TF (= Technological Functions).

PROFINET

PROcess Field NETwork, open industrial Ethernet standard which continues PROFIBUS and Industrial Ethernet. A cross-manufacturer communication, automation and engineering model by PROFIBUS International e.V., defined as an automation standard.

PROFINET IO controller

Device used to address connected I/O devices (e.g. distributed I/O systems). This means: The IO controller exchanges input and output signals with assigned I/O devices. The IO controller often corresponds to the CPU in which the automation program is running.

PROFINET IO

Communication concept for the realization of modular, distributed applications within the scope of PROFINET.

PROFINET IO device

Distributed field device that can be assigned to one or more IO controllers (e.g. distributed I/O system, valve terminals, frequency converters, switches).

PROFIsafe

Safety-oriented PROFINET I/O bus profile for communication between the → safety program and the → F-I/O module in a → fail-safe system.

PROFIsafe address

The PROFIsafe address (code name according to IEC 61784-3-3: 2010) is used to protect standard addressing mechanisms such as IP addresses. The PROFIsafe address consists of the F-source address and F-destination address. Every → fail-safe module therefore has two address portions, the F-source address and the F-destination address.

The PROFIsafe address must be configured in the hardware and network editor.

PROFIsafe monitoring time

Monitoring time for safety-related communication between the F-CPU and F-I/O

Proof-test interval

Period after which a component must be forced to fail-safe state, that is, it is either replaced with an unused component, or is proven faultless.

Provider-Consumer principle

Principle of data communication on the PROFINET IO: in contrast to PROFIBUS, both parties are independent providers when sending data.

P-switch

→ M-switch

Push-in terminal

Push-in connections are a form of spring-loaded terminals allowing wiring without tools for rigid conductors or conductors equipped with end sleeves.

Redundancy, availability-enhancing

Multiple instances of components with the objective of maintaining component functionality in the event of hardware faults.

Redundancy, safety-enhancing

Multiple availability of components with the aim of exposing hardware faults based on comparison; such as → 1oo2 evaluation in → fail-safe modules.

Reference identification

In accordance with EN 81346, a specific object is clearly referenced in relation to the system to whose components the object belongs. Thus, unique identification of the modules in the entire system is possible.

Reference potential

Potential from which the voltages of the participating circuits are considered and/or measured.

Reintegration

After the elimination of a fault, it is necessary to ensure the reintegration (depassivation) of the → F-I/O. Reintegration (switchover from fail-safe values to process values) occurs either automatically or only after a user acknowledgment in the safety program.

In the case of a fail-safe input module, the process values pending at the fail-safe inputs are made available to the safety program again after reintegration. In the case of a fail-safe output module, the → fail-safe system transfers the output values in the safety program to the fail-safe outputs again.

RIOforFA-Safety

Remote IO for Factory Automation with PROFIsafe; Profile for F-I/O

RoHS

EC Directive 2011/65/EU concerning the restriction of certain dangerous substances in electrical and electronic devices regulates the use of hazardous substances in devices and components. The English abbreviation RoHS is used to refer to this directive: (Restriction of the use of certain hazardous substances), as well as all related measures for implementing it into national legislation.

Safe state

The basic principle of the safety concept in F-systems is the existence of a safe state for all process variables. For the digital F-I/O, for example, the safe state is the value "0".

Safety class

Safety level (Safety Integrity Level) SIL according to IEC 61508:2010. The higher the Safety Integrity Level, the more rigid the measures for prevention of systematic faults and for management of systematic faults and hardware failures.

The fail-safe modules support operation in safety mode up to safety class SIL3.

Safety frame

In safety mode, data are transferred between the → F-CPU and → F-I/O in a safety frame.

Safety function

A mechanism integrated in the → F-CPU and → F-I/O that enables their use in → the fail-safe system SIMATIC Safety.

According to IEC 61508:2010: A safety function is implemented by a safety system in order to maintain or force a system safe state in the event of a specific fault.

Safety mode

Operating mode of → F-I/O that enables → safety-related communication via → safety frames.
→ ET 200SP fail-safe modules can only be used in safety mode.

Safety program

Safety-related user program

Safety-related communication

Communication used to exchange fail-safe data.

Self-assembling voltage buses

Three internal, self-assembling buses (P1, P2 and AUX) that supply the I/O modules with power.

SELV

Safety Extra Low Voltage

Sensor evaluation

There are two types of sensor evaluation:

→ 1oo1 evaluation – sensor signal is read once

→ 1oo2 evaluation – sensor signal is read in twice by the same F-module and compared internally

Sensors

Sensors are used for the accurate detection of routes, positions, velocities, rotational speeds, masses, etc. in the form of digital and analog signals.

Server module

The server module completes the configuration of the ET 200SP.

Service life

Period of time for which the switching device will work properly under normal operating conditions. This is specified as the number of operating cycles, the electrical durability (e.g. contact erosion), and the mechanical durability (e.g. operating cycles without load).

SIL (Safety Integrity Level)

Discrete level (one of three possibilities) for defining safety integrity specifications of safety-related control functions. Safety integrity level 3 is the highest possible level, level 1 the lowest.

Slave station

A slave can only exchange data after being requested to do so by the master.

SNMP

SNMP (Simple Network Management Protocol) is the standardized protocol for diagnosing and also configuring the Ethernet infrastructure.

In the office area and in automation technology, devices support a wide range of manufacturers on the Ethernet SNMP.

SNMP-based applications can be operated on the same network in parallel to applications with PROFINET.

Standard mode

Operating mode of F-I/O in which standard communication is possible by means of → safety frames, but not → safety-related communication.

Fail-safe ET 200SP modules can only be operated in safety mode.

Switch

PROFIBUS is a linear network. The communication nodes are linked by means of a passive cable - the bus.

By contrast, Industrial Ethernet consists of point-to-point connections: each communication node is interconnected directly with precisely one other communication node.

If a communication node is linked to several communication nodes, this communication node is connected to the port of an active network component - the switch. Other communications devices (including switches) can then be connected to the other ports of the switch. The connection between a communication node and the switch remains a point-to-point connection.

The task of a switch is thus to regenerate and distribute received signals. The switch "learns" the Ethernet address(es) of a connected PROFINET device or additional switches and only forwards those signals that are intended for the connected PROFINET device or switch.

A switch has a specific number of connections (ports). You connect at most one PROFINET device or additional switch to each port.

Technology object

A technology object supports you in the configuration and commissioning of a technological function.

The properties of real objects are represented by the technology objects in the controller. Real objects can be, for example, controlled systems or drives.

The technology object includes all data of the real object that is required for its open-loop or closed-loop control, and it signals the status information.

TIA Portal

Totally Integrated Automation Portal

The TIA Portal is the key to the full performance capability of Totally Integrated Automation. The software optimizes all operating, machine and process sequences.

Total current

Sum of the currents of all output channels of a digital output module.

TWIN end sleeve

End sleeve for two cables

Type of coordination 1

The motor starter may be non-operational after a short circuit has been cleared. Damage to the motor starter is permissible.

Types of coordination

The IEC 60947-4-1 (VDE 0660 Part 102) standard distinguishes between two types of coordination referred to as coordination type "1" and coordination type "2". The short circuit that needs to be dealt with is cleared reliably and safely with both types of coordination; the only differences are in the extent of the damage sustained by the device following a short circuit.

Index

2

24 V DC supply, 88

3

3DI/LC module, 33, 120

Assembling, 121

Connections, 109

Disassembling, 122

Functions, 109

3-wire connection, 62

A

Accessible devices

Firmware update, 239

Accessories, 281

Addressing, 136

Basics, 136

Application

in industrial environments, 266

in mixed areas, 267

in residential areas, 267

Approvals, 261

IEC 61010, 266

Assembling, 76

3DI/LC module, 120

BU cover, 84

Infeed bus, 81

Assembly/disassembly position, 119

AUX bus (AUXiliary bus), 53

B

BaseUnit, 28, 35

Assembling, 77, 118

Disassembling, 232

Modules with temperature measurement, 42

Modules without temperature measurement, 40

Mounting, dismantling, 74

Potential group, 51, 56

Replacing the terminal box, 233

Types, 35

wiring, 101

Wiring, 105

Wiring rules, 98

BU cover

Assembling, 85

Description, 30

Installation, 115

BusAdapter, 27

C

Cable shield, 104

Changes

Compared to previous version, 15, 15

Changing type

Coding element, 230

I/O module, 231

Climatic environmental conditions, 275

Color identification label, 125

Description, 32

Installing, 126

Commissioning, 189, 190, 196

Removing/inserting a SIMATIC memory card, 201

Reset to factory settings, 245

Startup, 201

Components

ET 200SP at a glance, 25

In accordance with DIN VDE regulation, 94

Configuration, 19

Basics, 134

Electrical, 97

On grounded reference potential, 93

Configuration control, 163

Configuration example, 191, 193, 195, 196, 198, 200

Configuration software, 131

Configuring, 131

Properties of the CPUs, 135

Connecting

Cable shield, 104

Connecting the PROFIBUS DP interface to the interface module, 114

Control data record, 172

S7-1500, 169

CPU

Backup/restore contents, 213

Reading out service data, 257

Reset to factory settings, 242

Synchronizing the time, 215

- D**
 - Degree of protection, 277
 - Dimensional diagram
 - Labeling strip, 279
 - Reference identification label, 280
 - Shield connector, 279
 - Disassembling, 232
 - Dummy module
 - mounting, 70

- E**
 - Electrical isolation, 97
 - Electrical relationships, 97
 - Electromagnetic compatibility (EMC), 267
 - EMC (Electromagnetic compatibility), 267
 - EMERGENCY STOP devices, 87
 - Environmental conditions
 - Climatic, 275
 - Mechanical, 274
 - ET 200SP
 - Area of application, 18
 - Commissioning, 189
 - Components, 25
 - Configuration example, 20, 23
 - Configuring, 131
 - Overall configuration, 96
 - Rules and regulations for operation, 87
 - Selecting a BaseUnit, 35
 - Short-circuit / overload protection, 94
 - Example
 - ET 200SP configuration, 20, 23
 - Leakage resistance, 288
 - Potential group, configuration, 61

- F**
 - Factory settings, 242
 - Fan, 33
 - Mounting, 117
 - FAQ
 - Emergency address, 213
 - Trace function, 256
 - Firmware update, 234

- G**
 - Grounded extra-low-voltage, 94

- Grounding
 - Configuration on grounded reference potential, 93
 - Graphical overview of ET 200SP, 96

- I**
 - I/O module, 29
 - Changing type, 231
 - Inserting or removing, 227
 - Installation, 115
 - replace, 232
 - Identification data, 220
 - IEC 61010, 266
 - Incoming supply, grounded, 93
 - Infeed bus
 - Assembling, 81
 - Cover, 33
 - Infeed bus cover, 33
 - Installation
 - BaseUnit, 74
 - BU cover, 115
 - I/O module, 115, 227
 - Interface module, 71
 - Minimum clearances, 67
 - Mounting position, 65
 - Mounting rail, 65
 - Rules, 67
 - Server module, 79
 - Insulation, 277
 - Interface module, 26
 - Connecting the supply voltage, 110
 - Mounting, dismantling, 71
 - RESET, 245
 - Reset to factory settings, 245
 - Wiring rules, 98
 - Interference-free design, 69

- L**
 - Labeling strip
 - Dimensional diagram, 279
 - Labeling strips, 32
 - Installing, 128
 - Leakage resistance, 287
 - Lightning protection, 88
 - Line voltage, 87

- M**
 - Maintenance, 227
 - Changing type, 231

- Firmware update, 234
- Reading out service data, 257
- Removal and insertion, 227
- Replacing modules, 232
- Replacing the terminal box, 233
- Reset to factory settings, 242
- Test functions, 251
- Marking, 123
 - Color coding, factory setting, 123
 - Optional, 125
- Maximum configuration, 49
- Maximum cycle time, (Cycle monitoring time)
- Mechanical bracket, 33
 - Mounting, 83
- Mechanical environmental conditions, 274
- Memory reset
 - Automatic, 209
 - Basics, 208
 - Manual, 210
- Minimum clearances, 67
- Motor starter, 29
 - Assembling, 77, 118
 - Disassembling, 118, 232
- Mounting, 53, 67, 81, 84
 - Dummy module, 70
 - Mechanical bracket, 82
- Mounting position, 65
- Mounting rail, 25, 65

N

- Network Time Protocol, 215
- NTP procedure, 215

O

- OBs, 142
 - Event source, 142
 - Priorities, 142
 - Priorities and runtime behavior, 143
 - Queue, 142
 - Start events, 142
- Operating modes
 - Basics, 203
 - Operating mode transitions, 207
 - RUN, 206
 - Setting the startup behavior, 205
 - STARTUP, 203
 - STOP, 206
- Operating position, 119
- Option handling, (See configuration control)

- Overall configuration, 96
- Overview, graphic
 - Grounding the ET 200SP, 96

P

- Parking position/OFF, 119
- Password provider, 157
- PELV
 - Grounded extra-low-voltage, 94
- Pollution degree, 277
- Potential distributor module, 28
 - Installing, 79
 - Selecting a PotDis-BaseUnit, 47
 - Selecting a PotDis-TerminalBlock, 48
- Potential group
 - Configuration example, 61
 - Forming, 51, 56
 - Operating principle, graphical overview, 55, 56
- Process image
 - Inputs and outputs, 138
- Process image partition
 - Updating in the user program, 139
 - updating, automatically, 138
- PROFINET IO, 189
- Protection, 153, 158, 161
 - Access levels, 154
 - Behavior of a password-protected CPU, 156
 - Copy protection, 161
 - Know-how protection, 158
- Protection against short circuit, 93
- Protection class, 277, 277

R

- Radio interference, 267, 270
- Rated voltage, 278
- Reading out service data, 257
- Reassigning parameters, 211
- Reference identification label, 32, 125
 - Dimensional diagram, 280
 - Installing, 128
- Remove, 227
- Replacement
 - Coding element, 232
 - I/O module, 232
 - Terminal box on the BaseUnit, 233
- Replacing the terminal box, 233
- RESET, 245
- Reset to factory settings, 245
 - with RESET button, 245

S

- S7-FCT, 133
- Safe electrical separation, 93
- Safety rules, 262
- SELV
 - Safe electrical separation, 93
- Server module, 31
 - Mounting, dismantling, 79
- Shield connection
 - Description, 32
- Shield connector
 - Dimensional diagram, 279
- Shipping conditions, 273
- Short-circuit and overload protection according to DIN VDE regulation, 94
- Short-circuit protection, 93
- SIMATIC ET 200SP, 17
- Spare parts, 281
- Standards, 261
- Starting up the ET 200SP, 201
- Storage conditions, 273
- Supply of external components, 63
- Supply voltage, 110
 - Connecting, 111
 - Potential group, 51, 56
- Synchronizing the time, 215

T

- Technical specifications
 - Climatic environmental conditions, 275
 - Electromagnetic compatibility (EMC), 267
 - Mechanical environmental conditions, 274
 - Shipping and storage conditions, 273
 - Standards and approvals, 261
- Test functions, 251
- Test voltage, 277

V

- Video sequence, 108

W

- Wiring
 - BaseUnit, 105
 - BaseUnits, 101
 - General rules for ET 200SP, 87
 - Rules, 98

Z

- Zone 2 potentially explosive atmosphere, 278