

**SIEMENS**



# SIMATIC

**S7-1500 / ET 200MP**

Digital output module DQ 16x24...48VUC/125VDC/0.5A ST (6ES7522-5EH00-0AB0)

Manual

Edition

09/2016

[siemens.com](http://siemens.com)

# SIEMENS

## SIMATIC

S7-1500/ET 200MP  
Digital output module  
DQ 16x24...48VUC/125VDC/0.5A ST  
(6ES7522-5EH00-0AB0)

Manual

Preface

---

Documentation guide

1

Product overview

2

Wiring

3

Parameters/address space

4

Interrupts/diagnostics alarms

5

Technical specifications

6

Dimensional drawing

A

Parameter data records

B

## Legal information

### Warning notice system

This manual contains notices you have to observe in order to ensure your personal safety, as well as to prevent damage to property. The notices referring to your personal safety are highlighted in the manual by a safety alert symbol, notices referring only to property damage have no safety alert symbol. These notices shown below are graded according to the degree of danger.

#### **DANGER**

indicates that death or severe personal injury **will** result if proper precautions are not taken.

#### **WARNING**

indicates that death or severe personal injury **may** result if proper precautions are not taken.

#### **CAUTION**

indicates that minor personal injury can result if proper precautions are not taken.

#### **NOTICE**

indicates that property damage can result if proper precautions are not taken.

If more than one degree of danger is present, the warning notice representing the highest degree of danger will be used. A notice warning of injury to persons with a safety alert symbol may also include a warning relating to property damage.

### Qualified Personnel

The product/system described in this documentation may be operated only by **personnel qualified** for the specific task in accordance with the relevant documentation, in particular its warning notices and safety instructions. Qualified personnel are those who, based on their training and experience, are capable of identifying risks and avoiding potential hazards when working with these products/systems.

### Proper use of Siemens products

Note the following:

#### **WARNING**

Siemens products may only be used for the applications described in the catalog and in the relevant technical documentation. If products and components from other manufacturers are used, these must be recommended or approved by Siemens. Proper transport, storage, installation, assembly, commissioning, operation and maintenance are required to ensure that the products operate safely and without any problems. The permissible ambient conditions must be complied with. The information in the relevant documentation must be observed.

### Trademarks

All names identified by ® are registered trademarks of Siemens AG. The remaining trademarks in this publication may be trademarks whose use by third parties for their own purposes could violate the rights of the owner.

### Disclaimer of Liability

We have reviewed the contents of this publication to ensure consistency with the hardware and software described. Since variance cannot be precluded entirely, we cannot guarantee full consistency. However, the information in this publication is reviewed regularly and any necessary corrections are included in subsequent editions.

# Preface

## Purpose of the documentation

This manual supplements the system manual S7-1500/ET 200MP (<https://support.industry.siemens.com/cs/ww/en/view/59191792>).

Functions that relate in general to the systems are described in these system manuals.

The information provided in this manual and in the system/function manuals supports you in commissioning the systems.

## Changes compared to previous version

Compared to the previous version, this manual contains the following change:

Original texts of the license conditions and copyright notes for open-source software are available on the Internet as of 09/2016.

## Conventions

The term "CPU" is used in this manual both for the CPUs of the S7-1500 automation system and for interface modules of the ET 200MP distributed I/O system.

Please also observe notes marked as follows:

---

### Note

A note contains important information on the product described in the documentation, on the handling of the product or on the section of the documentation to which particular attention should be paid.

---

## Security information

Siemens provides products and solutions with industrial security functions that support the secure operation of plants, systems, machines and networks.

In order to protect plants, systems, machines and networks against cyber threats, it is necessary to implement – and continuously maintain – a holistic, state-of-the-art industrial security concept. Siemens' products and solutions only form one element of such a concept.

Customer is responsible to prevent unauthorized access to its plants, systems, machines and networks. Systems, machines and components should only be connected to the enterprise network or the internet if and to the extent necessary and with appropriate security measures (e.g. use of firewalls and network segmentation) in place.

Additionally, Siemens' guidance on appropriate security measures should be taken into account. For more information about industrial security, please visit (<http://www.siemens.com/industrialsecurity>).

Siemens' products and solutions undergo continuous development to make them more secure. Siemens strongly recommends to apply product updates as soon as available and to always use the latest product versions. Use of product versions that are no longer supported, and failure to apply latest updates may increase customer's exposure to cyber threats.

To stay informed about product updates, subscribe to the Siemens Industrial Security RSS Feed under (<http://www.siemens.com/industrialsecurity>).

## Open Source Software

Open-source software is used in the firmware of the I/O modules. Open Source Software is provided free of charge. We are liable for the product described, including the open-source software contained in it, pursuant to the conditions applicable to the product. Siemens accepts no liability for the use of the open source software over and above the intended program sequence, or for any faults caused by modifications to the software.

For legal reasons, we are obliged to publish the original text of the license conditions and copyright notices. Please read the information relating to this on the Internet (<https://support.industry.siemens.com/cs/ww/en/view/109741045>).

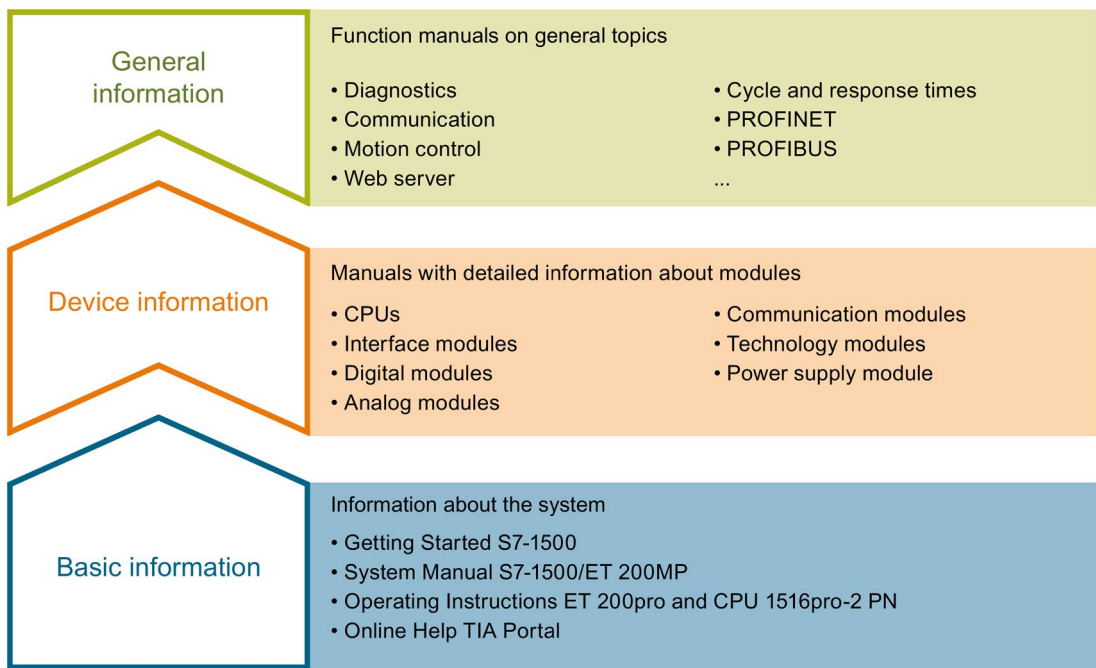
# Table of contents

	<b>Preface</b> .....	<b>4</b>
<b>1</b>	<b>Documentation guide</b> .....	<b>7</b>
<b>2</b>	<b>Product overview</b> .....	<b>11</b>
	2.1 Properties .....	11
<b>3</b>	<b>Wiring</b> .....	<b>13</b>
<b>4</b>	<b>Parameters/address space</b> .....	<b>15</b>
	4.1 Parameters .....	15
	4.2 Description of parameters .....	15
	4.3 Address space .....	16
<b>5</b>	<b>Interrupts/diagnostics alarms</b> .....	<b>21</b>
	5.1 Status and error displays .....	21
	5.2 Interrupts .....	23
	5.3 Diagnostics alarms .....	23
<b>6</b>	<b>Technical specifications</b> .....	<b>24</b>
<b>A</b>	<b>Dimensional drawing</b> .....	<b>27</b>
	A.1 Dimensional drawing .....	27
<b>B</b>	<b>Parameter data records</b> .....	<b>29</b>
	B.1 Parameter assignment and structure of the parameter data records .....	29

## Documentation guide

The documentation for the SIMATIC S7-1500 automation system, the CPU 1516pro-2 PN based on SIMATIC S7-1500 and the SIMATIC ET 200MP distributed I/O system is arranged into three areas.

This arrangement enables you to access the specific content you require.



### Basic information

The System Manual and Getting Started describe in detail the configuration, installation, wiring and commissioning of the SIMATIC S7-1500 and ET 200MP systems. For CPU 1516pro-2 PN you use the corresponding operating instructions. The STEP 7 online help supports you in the configuration and programming.

### Device information

Product manuals contain a compact description of the module-specific information, such as properties, wiring diagrams, characteristics and technical specifications.

### General information

The function manuals contain detailed descriptions on general topics regarding the SIMATIC S7-1500 and ET 200MP systems, e.g. diagnostics, communication, motion control, Web server, OPC UA.

You can download the documentation free of charge from the Internet (<http://w3.siemens.com/mcims/industrial-automation-systems-simatic/en/manual-overview/Pages/Default.aspx>).

Changes and supplements to the manuals are documented in a Product Information.

You can download the product information free of charge from the Internet (<https://support.industry.siemens.com/cs/us/en/view/68052815>).

### Manual Collection S7-1500/ET 200MP

The Manual Collection contains the complete documentation on the SIMATIC S7-1500 automation system and the ET 200MP distributed I/O system gathered together in one file.

You can find the Manual Collection on the Internet (<https://support.industry.siemens.com/cs/ww/en/view/86140384>).

### SIMATIC S7-1500 comparison list for programming languages

The comparison list contains an overview of which instructions and functions you can use for which controller families.

You can find the comparison list on the Internet (<https://support.industry.siemens.com/cs/ww/en/view/86630375>).

### "mySupport"

With "mySupport", your personal workspace, you make the best out of your Industry Online Support.

In "mySupport", you can save filters, favorites and tags, request CAx data and compile your personal library in the Documentation area. In addition, your data is already filled out in support requests and you can get an overview of your current requests at any time.

You must register once to use the full functionality of "mySupport".

You can find "mySupport" on the Internet (<https://support.industry.siemens.com/My/ww/en>).

### "mySupport" - Documentation

In the Documentation area in "mySupport" you can combine entire manuals or only parts of these to your own manual.

You can export the manual as PDF file or in a format that can be edited later.

You can find "mySupport" - Documentation on the Internet (<http://support.industry.siemens.com/My/ww/en/documentation>).



## "mySupport" - CAx data

In the CAx data area in "mySupport", you can access the current product data for your CAx or CAe system.

You configure your own download package with a few clicks.

In doing so you can select:

- Product images, 2D dimension drawings, 3D models, internal circuit diagrams, EPLAN macro files
- Manuals, characteristics, operating manuals, certificates
- Product master data

You can find "mySupport" - CAx data on the Internet (<http://support.industry.siemens.com/my/ww/en/CAxOnline>).

## Application examples

The application examples support you with various tools and examples for solving your automation tasks. Solutions are shown in interplay with multiple components in the system - separated from the focus on individual products.

You will find the application examples on the Internet (<https://support.industry.siemens.com/sc/ww/en/sc/2054>).

## TIA Selection Tool

With the TIA Selection Tool, you can select, configure and order devices for Totally Integrated Automation (TIA).

This tool is the successor of the SIMATIC Selection Tool and combines the known configurators for automation technology into one tool.

With the TIA Selection Tool, you can generate a complete order list from your product selection or product configuration.

You can find the TIA Selection Tool on the Internet (<http://w3.siemens.com/mcms/topics/en/simatic/tia-selection-tool>).

## SIMATIC Automation Tool

You can use the SIMATIC Automation Tool to run commissioning and maintenance activities simultaneously on various SIMATIC S7 stations as a bulk operation independently of the TIA Portal.

The SIMATIC Automation Tool provides a multitude of functions:

- Scanning of a PROFINET/Ethernet network and identification of all connected CPUs
- Address assignment (IP, subnet, gateway) and station name (PROFINET device) to a CPU
- Transfer of the date and the programming device/PC time converted to UTC time to the module
- Program download to CPU
- Operating mode switchover RUN/STOP
- Localization of the CPU by means of LED flashing
- Reading out CPU error information
- Reading the CPU diagnostic buffer
- Reset to factory settings
- Updating the firmware of the CPU and connected modules

You can find the SIMATIC Automation Tool on the Internet (<https://support.industry.siemens.com/cs/ww/en/view/98161300>).

## PRONETA

With SIEMENS PRONETA (PROFINET network analysis), you analyze the PROFINET network during commissioning. PRONETA features two core functions:

- The topology overview independently scans PROFINET and all connected components.
- The IO check is a fast test of the wiring and the module configuration of a system.

You can find SIEMENS PRONETA on the Internet (<https://support.industry.siemens.com/cs/ww/en/view/67460624>).

# Product overview

## 2.1 Properties

### Article number

6ES7522-5EH00-0AB0

### View of the module

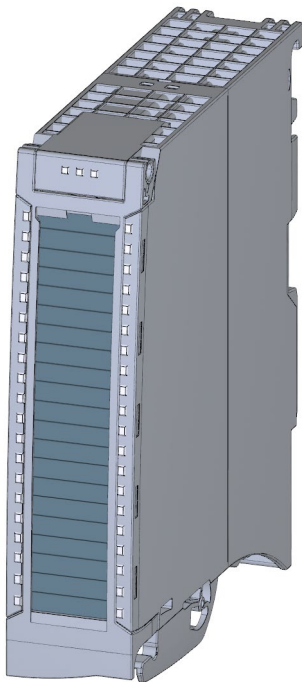


Figure 2-1 View of the DQ 16x24...48VUC/125VDC/0.5A ST module

### Properties

The module has the following technical properties:

- 16 digital outputs; electrically isolated in groups of 1
- Rated output voltage 24 V DC (24 V DC to 125 V DC / 24 V UC to 48 V UC)
- Rated output current 0.5 A per channel
- Configurable substitute values (per channel)
- Suitable for solenoid valves, DC contactors, and indicator lights

2.1 Properties

The module supports the following functions:

Table 2- 1 Version dependencies of the module functions

Function	Firmware version of the module	Configuration software	
		STEP 7 (TIA Portal) as of V13, SP1 with HSP 0142	GSD file in STEP 7 (TIA Portal) V12 or higher, or STEP 7 V5.5 SP3 or higher
Firmware update	V1.0.0 or higher	X	--- / X
Identification data I&M0 to I&M3	V1.0.0 or higher	X	X
Parameter assignment in RUN	V1.0.0 or higher	X	X
Module-internal Shared Output (MSO)	V1.0.0 or higher	X (PROFINET IO only)	X (PROFINET IO only)
Configurable submodules / submodules for Shared Device	V1.0.0 or higher	X (PROFINET IO only)	X (PROFINET IO only)

You can configure the module with STEP 7 (TIA Portal) and with a GSD file.

**Accessories**

The following accessories are supplied with the module and can also be ordered separately as spare parts:

- Labeling strips
- U connector
- Universal front cover

**Other components**

The following component can be ordered separately:

Front connectors, including potential jumpers and cable ties

You can find additional information on accessories in the system manual S7-1500/ET 200MP (<https://support.industry.siemens.com/cs/ww/en/view/59191792>).

## Wiring

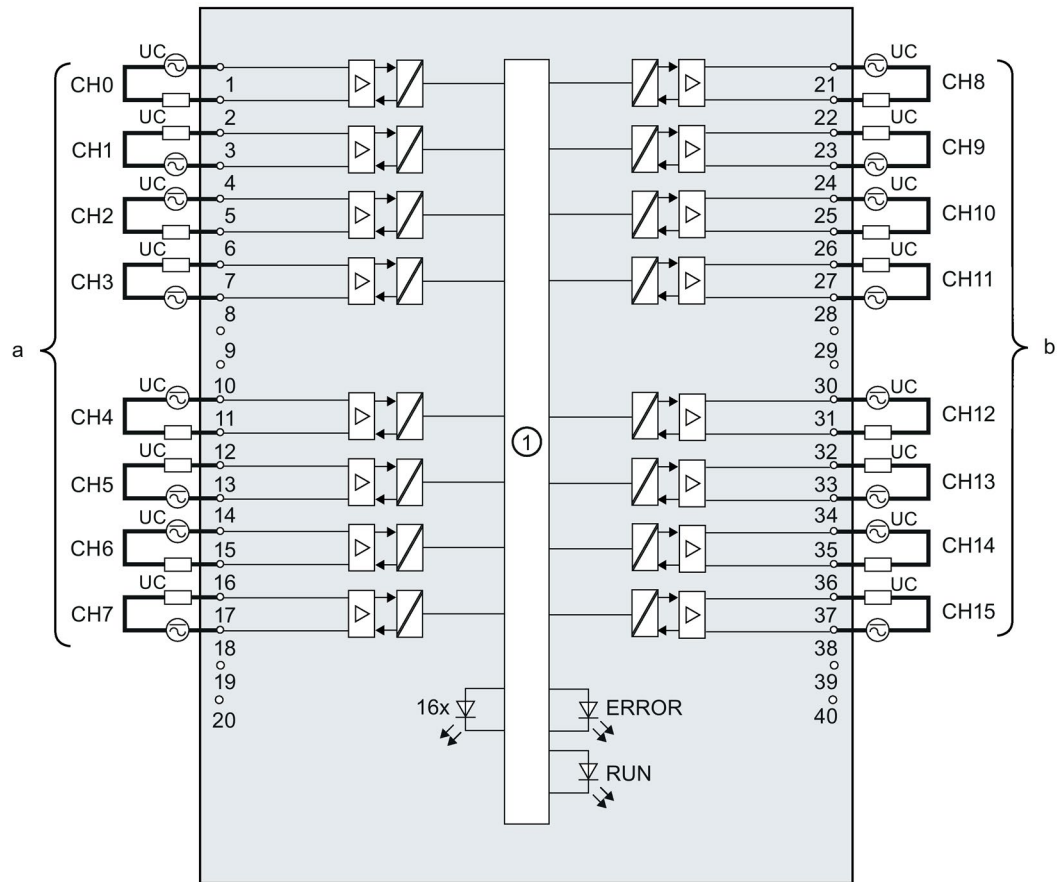
This section contains the block diagram of the module and outlines various wiring options. You can find information on wiring the front connector, establishing a cable shield, etc. in the system manual S7-1500/ET 200MP (<https://support.industry.siemens.com/cs/ww/en/view/59191792>).

### Wiring and block diagram

The example in the following figure shows the terminal assignment and the assignment of the channels to the addresses (output byte a and output byte b).

**Note**

Do not insert the potential jumpers included with the front connector!



- ① Backplane bus interface
- CHx Channel or channel status LED (green)
- RUN Status display LED (green)
- ERROR Error display LED (red)

Figure 3-1 Block diagram and terminal assignment

**Note**

When the supply voltage is switched on at each channel, there is a "1" signal at the module outputs for approx. 50 µs.

## Parameters/address space

### 4.1 Parameters

#### DQ 16x24...48VUC/125VDC/0.5A ST parameters

When you assign the module parameters in STEP 7, you use various parameters to specify the module properties. The following table lists the configurable parameters. The effective range of the configurable parameters depends on the type of configuration. The following configurations are possible:

- Central operation with a S7-1500 CPU
- Distributed operation on PROFINET IO in an ET 200MP system
- Distributed operation on PROFIBUS DP in an ET 200MP system

For parameter assignment in the user program, the parameters are transferred to the module using the WRREC instruction (parameter assignment in RUN) and data records; see chapter Parameter assignment and structure of the parameter data records (Page 29).

Table 4- 1 Configurable parameters and their defaults

Parameters	Range of values	Default setting	Parameter assignment in RUN	Scope with configuration software, e.g., STEP 7 (TIA Portal)	
				Integrated in the hardware catalog as of STEP 7, V13 SP1 or GSD file PROFINET IO	GSD file PROFIBUS DP
Reaction to CPU STOP	<ul style="list-style-type: none"> <li>• Turn off</li> <li>• Keep last value</li> <li>• Output substitute value 1</li> </ul>	Turn off	Yes	Channel	Channel

### 4.2 Description of parameters

#### Reaction to CPU STOP

Determines the reaction of the output when the CPU goes into the STOP state or when the connection to the CPU is interrupted.

## 4.3 Address space

The module can be configured differently in STEP 7; see following table. Depending on the configuration, additional/different addresses are assigned in the process image of the outputs/inputs.

The letters "a and b" are printed onto the module. "IB a" for example, stands for module start address input byte a.

### Configuration options of DQ 16x24...48VUC/125VDC/0.5A ST

You can configure the module with STEP 7 (TIA Portal) or with a GSD file.

When you configure the module by means of the GSD file, the configurations are available under different abbreviations/module names.

The following configurations are possible:

Table 4- 2 Configuration options

Configuration	Short designation/module name in the GSD file	Configuration software, e.g., STEP 7 (TIA Portal)	
		Integrated in the hardware catalog STEP 7 (TIA Portal) as of V13 SP1 with HSP 0142	GSD file in STEP 7 (TIA Portal) V12 or higher or STEP 7 V5.5 SP3 or higher
1 x 16-channel without value status	DQ 16x24...48VUC/125VDC/0.5A ST	X	X
1 x 16-channel with value status	DQ 16x24...48VUC/125VDC/0.5A ST QI	X	X
2 x 8-channel without value status	DQ 16x24...48VUC/125VDC/0.5A ST S	X (PROFINET IO only)	X (PROFINET IO only)
2 x 8-channel with value status	DQ 16x24...48VUC/125VDC/0.5A ST S QI	X (PROFINET IO only)	X (PROFINET IO only)
1 x 16-channel with value status for module-internal Shared Output with up to 4 submodules	DQ 16x24...48VUC/125VDC/0.5A ST MSO	X (PROFINET IO only)	X (PROFINET IO only)

### Value status (Quality Information, QI)

The value status is always activated for the following module names:

- DQ 16x24...48VUC/125VDC/0.5A ST QI
- DQ 16x24...48VUC/125VDC/0.5A ST S QI
- DQ 16x24...48VUC/125VDC/0.5A ST MSO

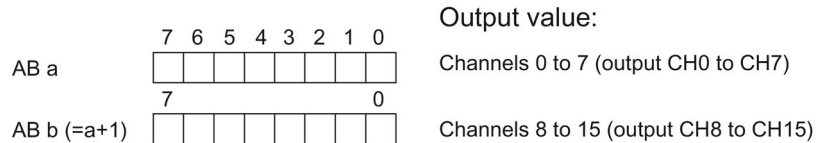
An additional bit is assigned to each channel for the value status. The bit for the value status indicates if the output value specified by the user program is actually pending at the module terminal (0 = value is incorrect).



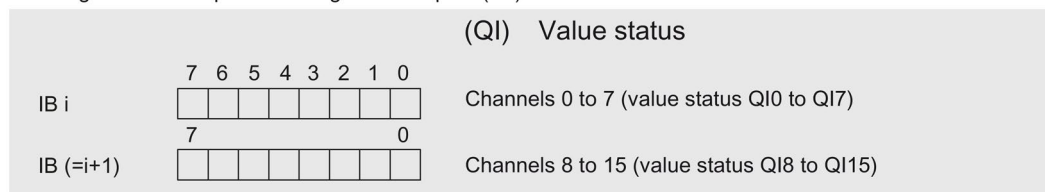
### Address space for configuration as 16-channel DQ 16x24...48VUC/125VDC/0.5A ST

The following figure shows the assignment of the address space for the configuration as a 16-channel module with value status. You can freely assign the start address for the module. The addresses of the channels are derived from the start address.

Assignment in the process image of the outputs (PIO)



Assignment in the process image of the inputs (PII)



0 = Value output at the channel is faulty

Figure 4-1 Address space for configuration as 16-channel DQ 16x24...48VUC/125VDC/0.5A ST with value status

4.3 Address space

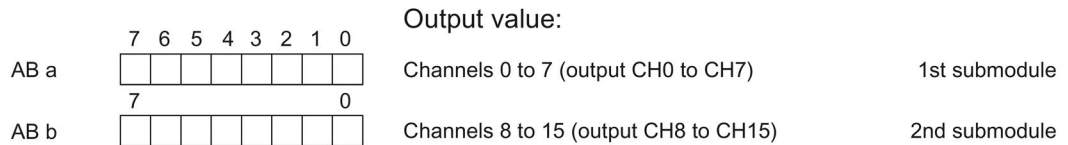
**Address space for configuration as 2 x 8-channel DQ 16x24...48VUC/125VDC/0.5A ST S QI**

For the configuration as a 2 x 8-channel module, the channels of the module are divided into multiple submodules. The submodules can be assigned to different IO controllers when the module is used in a shared device.

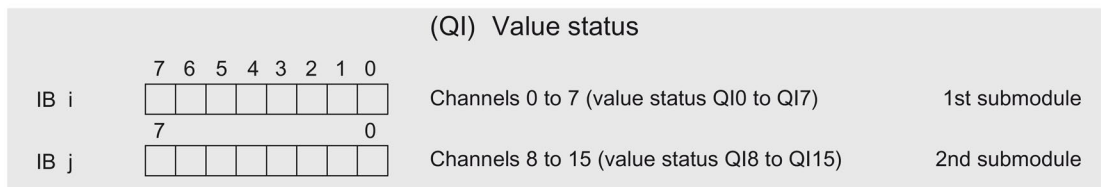
The number of IO controllers depends on the interface module used. Please observe the information in the manual for the particular interface module.

Contrary to the 1 x 16-channel module configuration, each of the two submodules has a freely assignable start address. The addresses for the respective value status of a submodule can also be assigned by the user.

Assignment in the process image of the outputs (PIO)



Assignment in the process image of the inputs (PII)



0 = Value output at the channel is faulty

Figure 4-2 Address space for configuration as 2 x 8-channel DQ 16x24...48VUC/125VDC/0.5A ST S QI with value status

**Address space for configuration as 1 x 16-channel DQ 16x24...48VUC/125VDC/0.5A ST MSO**

For the configuration as a 1 x 16-channel module (module-internal shared output, MSO), channels 0 to 15 of the module are copied to multiple submodules. Channels 0 to 15 are then available with identical values in various submodules. These submodules can be assigned to up to four IO controllers when the module is used in a shared device:

- The IO controller to which submodule 1 is assigned has write access to outputs 0 to 15.
- The IO controllers to which submodule 2, 3, or 4 is assigned have read access to outputs 0 to 15.

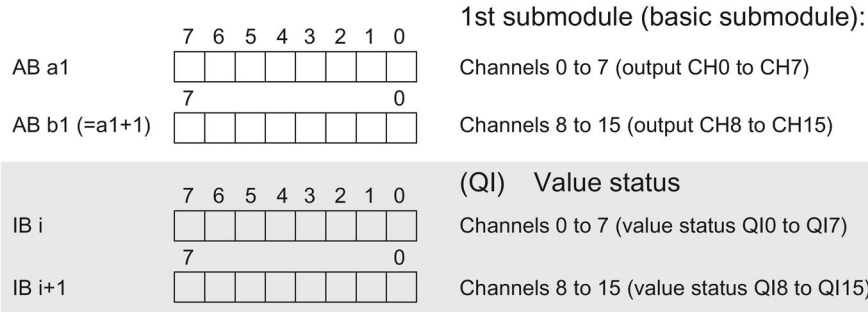
The number of IO controllers depends on the interface module used. Observe the information in the manual for the particular interface module.



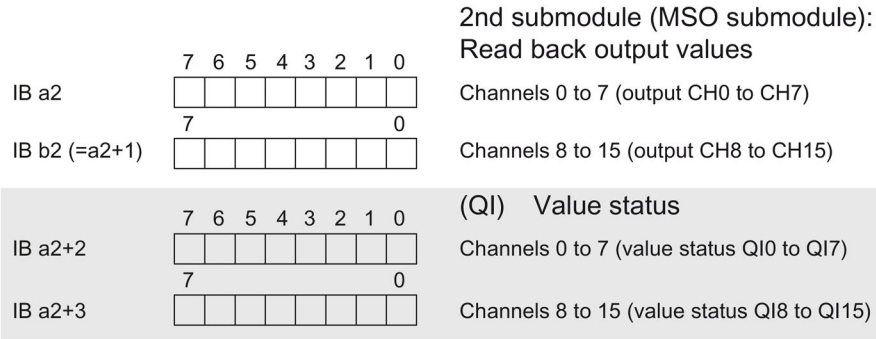
4.3 Address space

The following figure shows the assignment of the address space with submodules 3 and 4 and the value status.

Assignment in the process image of the outputs (PIO) for 1st submodule



Assignment in the process image of the inputs (PII) for 2nd submodule



0 = Value output at the channel is faulty

Figure 4-4 Address space for configuration as 1 x 16-channel DQ 16x24...48VUC/125VDC/0.5A ST S MSO with value status

Reference

You can find information on the Shared Input/Output (MSI/MSO) function in the section Module-Internal Shared Input/Output (MSI/MSO) of the PROFINET with STEP 7 V13 (<https://support.industry.siemens.com/cs/ww/en/view/49948856>) function manual.

## Interrupts/diagnostics alarms

### 5.1 Status and error displays

#### LED displays

The following figure shows the LED displays (status and error displays) of module.

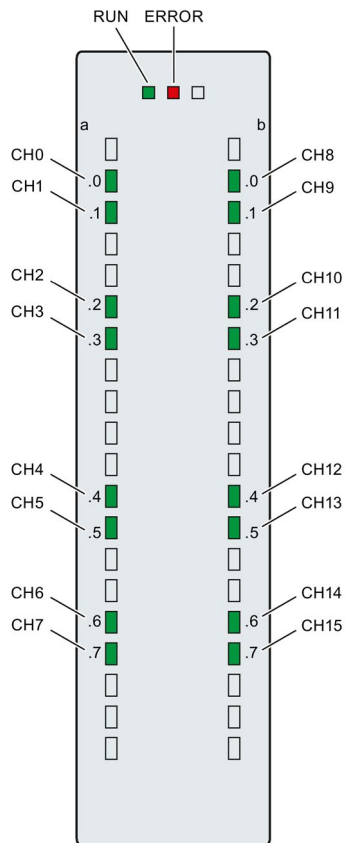


Figure 5-1 LED displays of the module DQ 16x24...48VUC/125VDC/0.5A ST

### Meaning of the LED displays

The tables below explain the meaning of the status and error displays. Remedial measures for diagnostics alarms can be found in section Diagnostics alarms (Page 23).

### RUN and ERROR LED

Table 5- 1 Status and error displays RUN and ERROR

LED		Meaning	Remedy
RUN	ERROR		
□ Off	□ Off	Voltage missing or too low at backplane bus	<ul style="list-style-type: none"> <li>• Switch on the CPU and/or the system power supply modules.</li> <li>• Verify that the U connectors are inserted.</li> <li>• Check to see if too many modules are inserted.</li> </ul>
⚡ Flashes	□ Off	The module starts and flashes until the valid parameter assignment is set.	---
■ On	□ Off	Module is configured	---
■ On	⚡ Flashes	Indicates module errors (at least one error at one channel, e.g., parameter assignment error).	Evaluate the diagnostics data and eliminate the error (e.g., check the cables).
⚡ Flashes	⚡ Flashes	Hardware defective	Replace the module.

### CHx LED

Table 5- 2 CHx status display

LED CHx	Meaning	Remedy
□ Off	0 = Status of the output signal	---
■ On	1 = Status of the output signal	---

## 5.2 Interrupts

Digital output module DQ 16x24...48VUC/125VDC/0.5A ST supports diagnostic interrupts.

For detailed information on the error event, refer to the diagnostic interrupt organization block with the "RALRM" instruction (read additional interrupt information) and to the STEP 7 online help.

### Diagnostics interrupt

The module generates a diagnostic interrupt at the following event: Parameter assignment error

## 5.3 Diagnostics alarms

### Diagnostics alarms

A diagnostics alarm is generated and the ERROR LED flashes for each diagnostics event on the module. You can read the diagnostics alarms, for example, in the diagnostics buffer of the CPU. You can evaluate the error codes with the user program.

Table 5- 3 Diagnostics alarm, meaning and corrective measures

Diagnostics alarm	Error code	Meaning	Corrective measures
Parameter assignment error	10H	<ul style="list-style-type: none"> <li>The module cannot evaluate parameters for the channel.</li> <li>Incorrect parameter assignment</li> </ul>	Correct the parameter assignment

## Technical specifications

### Technical specifications of the DQ 16x24...125VUC/0.5A ST

	6ES7522-5EH00-0AB0
<b>General information</b>	
Product type designation	DQ 16x24 ... 48VUC/125VDC/0,5A ST
Hardware functional status	FS01
Firmware version	V1.0.0
<ul style="list-style-type: none"> <li>FW update possible</li> </ul>	Yes
<b>Product function</b>	
I&M data	Yes; I&M0 to I&M3
<b>Engineering with</b>	
STEP 7 TIA Portal can be configured/integrated as of version	V13 SP1 / -
STEP 7 can be configured/integrated as of version	V5.5 SP3 / -
PROFIBUS as of GSD version/GSD revision	V1.0 / V5.1
PROFINET as of GSD version/GSD revision	V2.3 / -
<b>Operating mode</b>	
DQ	Yes
DQ with energy-saving function	No
PWM	No
Oversampling	No
MSO	Yes
<b>Output voltage</b>	
Rated value (DC)	24 V; 48 V, 125 V
Rated value (AC)	24 V; 48 V (50 - 60 Hz)
<b>Power</b>	
Power consumption from the backplane bus	2 W
<b>Power loss</b>	
Power loss, typ.	3.8 W
<b>Digital outputs</b>	
Number of outputs	16
Sinking output	Yes
Sourcing output	Yes
Limitation of inductive shutdown voltage to	200 V (suppressor diode)
Control of a digital input	Yes



<b>6ES7522-5EH00-0AB0</b>	
<b>Switching capacity of outputs</b>	
With resistive load, max.	0.5 A
With lamp load, max.	40 W; at 125 VDC, 10 W at 48 VUC, 5 W at 24 VUC
<b>Output voltage</b>	
For signal "1", min.	L+ (-1.0 V)
<b>Output current</b>	
For signal "1" rated value	0.5 A
For signal "1" permitted range, max.	0.6 A
<b>Output delay with resistive load</b>	
"0" to "1", max.	5 ms
"1" to "0", max.	5 ms
<b>Parallel connection of two outputs</b>	
For logic operations	Yes
For increased performance	No
For redundant control of a load	Yes
<b>Switching frequency</b>	
With resistive load, max.	25 Hz
With inductive load, max.	0.5 Hz
With lamp load, max.	10 Hz
<b>Total current of outputs</b>	
Current per channel, max.	0.5 A
Current per group, max.	0.5 A
Current per module, max.	8 A
<b>Cable length</b>	
shielded, max.	1000 m
unshielded, max.	600 m
<b>Isochronous mode</b>	
Isochronous mode (application synchronized up to terminal)	No
<b>Interrupts/diagnostics/status information</b>	
Diagnostics function	No
Substitute values can be applied	Yes
<b>Interrupts</b>	
Diagnostic interrupt	No
<b>Diagnostics alarms</b>	
Monitoring of supply voltage	No
Wire break	No
Short-circuit	No

<b>6ES7522-5EH00-0AB0</b>	
<b>Diagnostics indicator LED</b>	
RUN LED	Yes; green LED
ERROR LED	Yes; red LED
Monitoring of supply voltage (PWR LED)	No
Channel status display	Yes; green LED
For channel diagnostics	No
For module diagnostics	Yes; red LED
<b>Electrical isolation</b>	
<b>Electrical isolation of channels</b>	
Between the channels	Yes
Between the channels, in groups of	1
Between the channels and backplane bus	Yes
<b>Permitted potential difference</b>	
Between different circuits	125 V DC / 48 V AC
<b>Insulation</b>	
Insulation tested with	2000 V DC
<b>Ambient conditions</b>	
<b>Ambient temperature during operation</b>	
Horizontal mounting position, min.	0 °C
Horizontal mounting position, max.	60 °C
Vertical mounting position, min.	0 °C
Vertical mounting position, max.	40 °C
<b>Distributed operation</b>	
Prioritized startup	Yes
<b>Dimensions</b>	
Width	35 mm
Height	147 mm
Depth	129 mm
<b>Weights</b>	
Weight, approx.	230 g

**Note**

**External fuse for outputs**

The outputs have to be protected by an external fuse. Recommendation: Siemens 2A 3NW6002-4 in fuse holder 3NW7014-4.

When installed in a danger area according to the National Electric Code (NEC), the fuse must only be removed with the correct tool when the module is not in an explosion-proof zone.

# Dimensional drawing

# A

## A.1 Dimensional drawing

The dimensional drawing of the module on the mounting rail, as well as a dimensional drawing with open front cover, are provided in this appendix. Always observe the specified dimensions for installations in cabinets, control rooms, etc.

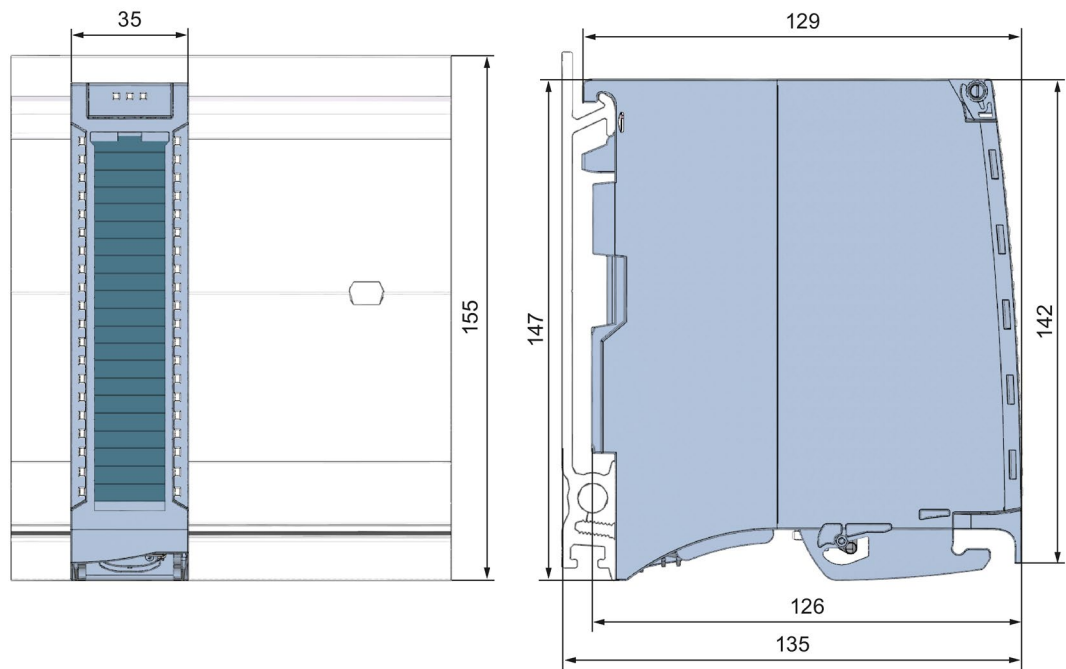


Figure A-1 Dimension drawing of the DQ 16x24...48VUC/125VDC/0.5A ST module

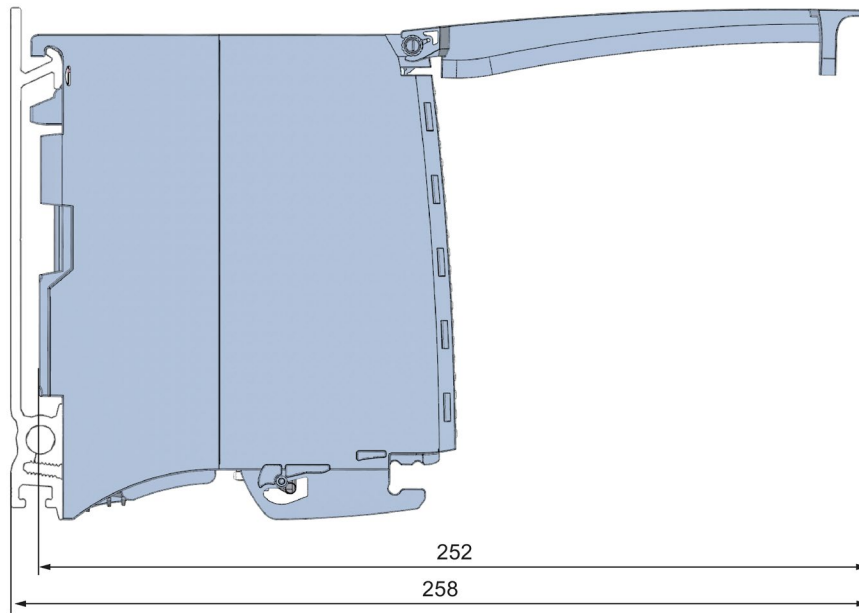


Figure A-2 Dimension drawing of the DQ 16x24...48VUC/125VDC/0.5A ST module, side view with open front cover

## Parameter data records

### B.1 Parameter assignment and structure of the parameter data records

The data records of the module have an identical structure, regardless of whether you configure the module with PROFIBUS DP or PROFINET IO.

#### Dependencies for configuration with GSD file

When a GSD file is used to configure a module, dependencies can arise when "assigning the parameters".

There are no dependencies for this module. You can assign the individual parameters in any combination.

#### Parameter assignment in the user program

You have the option to reconfigure the modules in RUN (e.g. the response of selected channels to the CPU-STOP state can be changed in RUN without having an effect on the other channels)

#### Parameter assignment in RUN

The WRREC instruction is used to transfer the parameters to the module using data records 64 to 79. The parameters set in STEP 7 do not change in the CPU, which means the parameters set in STEP 7 are still valid after a restart.

The parameters are only checked for plausibility by the module after the transfer.

#### Output parameter STATUS

The module ignores errors that occurred during the transfer of parameters with the WRREC instruction and continues operation with the previous parameter assignment. However, a corresponding error code is written to the STATUS output parameter.

The description of the WRREC instruction and the error codes is available in the STEP 7 online help.

**Assignment of data record and channel**

For the configuration as a 1 x 16-channel module, the parameters are located in data records 64 to 79 and are assigned as follows:

- Data record 64 for channel 0
- Data record 65 for channel 1
- ...
- Data record 78 for channel 14
- Data record 79 for channel 15

For the configuration as a 2 x 8-channel module, the module has 2 submodules with eight channels each. The parameters for the channels are located in data records 64 to 71 and are assigned as follows:

- Data records 64 to 71 for channels 0 to 7 (submodule 1)
- Data records 64 to 71 for channels 8 to 15 (submodule 2)

Address the respective submodule for data record transfer.

**Data record structure**

The figure below shows the structure of data record 64 for channel 0 as an example. The structure is identical for channels 1 to 15. The values in byte 0 and byte 1 are fixed and may not be changed.

Enable a parameter by setting the corresponding bit to "1".

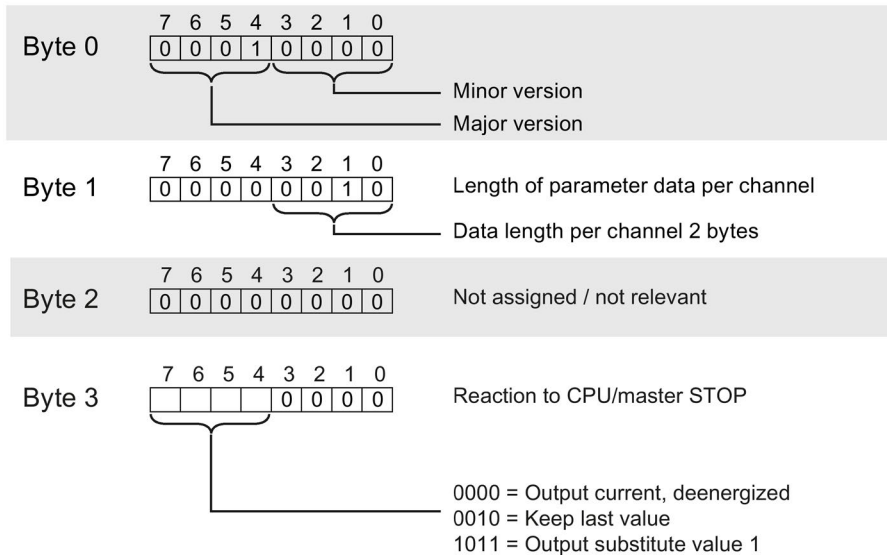


Figure B-1 Structure of data record 64: Bytes 0 to 3